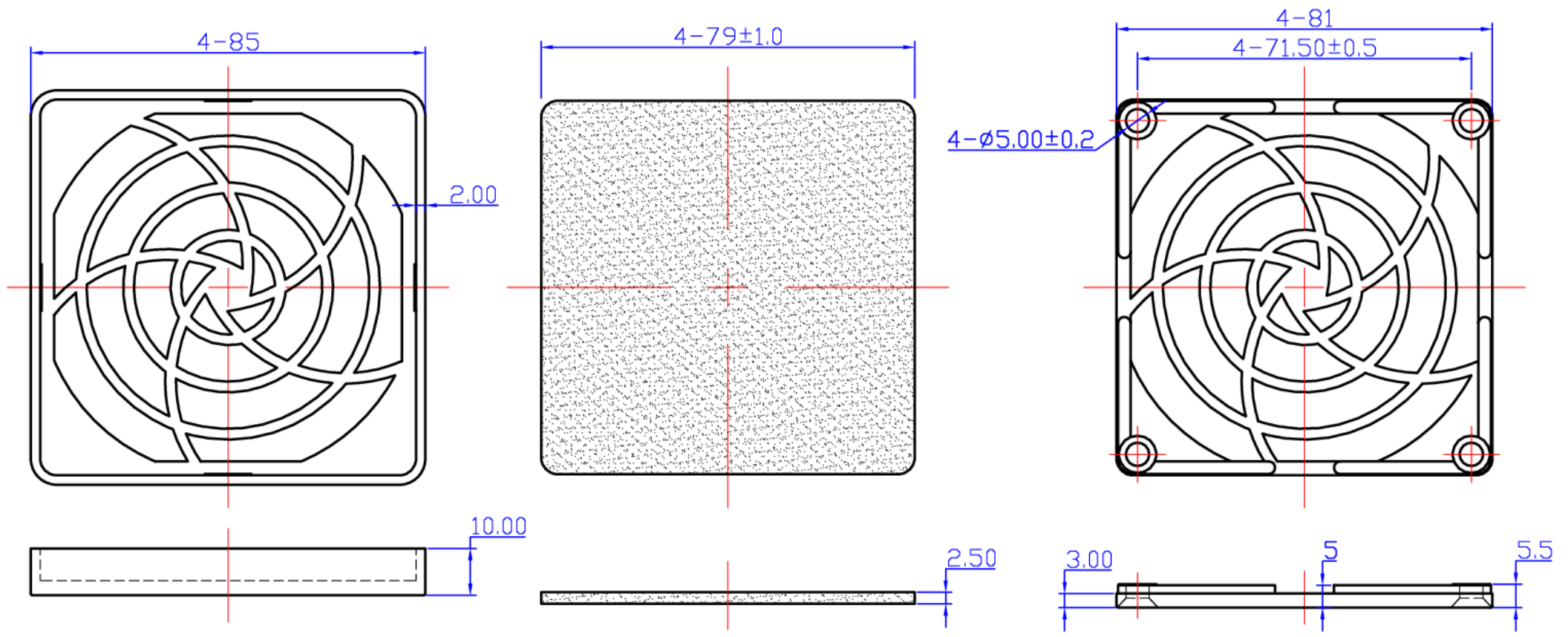


EDITION	DATE	REVISION RECORD	REVISION NO.	APPROVED



NOTES:

FAN GUARD MATERIAL : ABS-757.
 FILTER DENSITY : PPI 30、35、40、45.
 GENERAL TOLERANCE UNLESS NOTED : ±0.5
 UNIT : mm.

DO NOT SCALE DRAWING					CUSTOMER PART NO.
DRAWN BY	CHECKED	APPROVED	SCALE		
			DRAWING DATE	MATERIAL	SEE NOTES
			2007.8.15	FINISH	SEE NOTES