

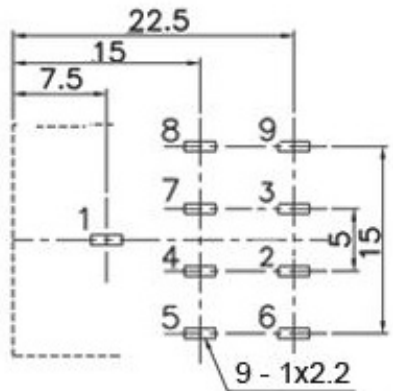
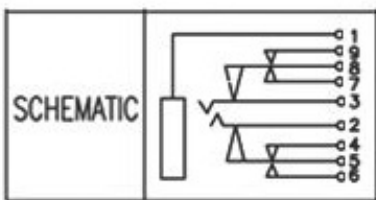
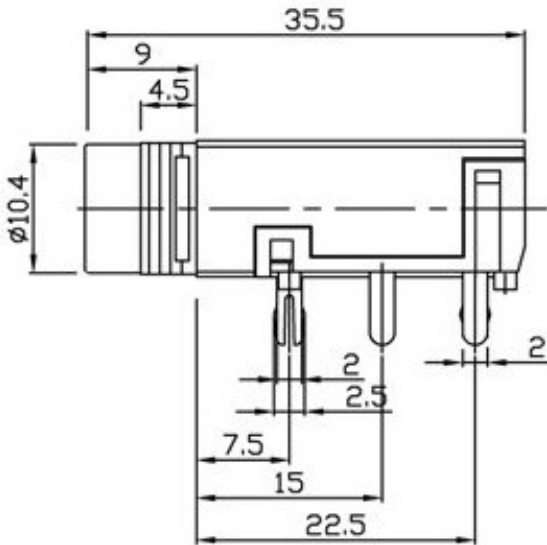
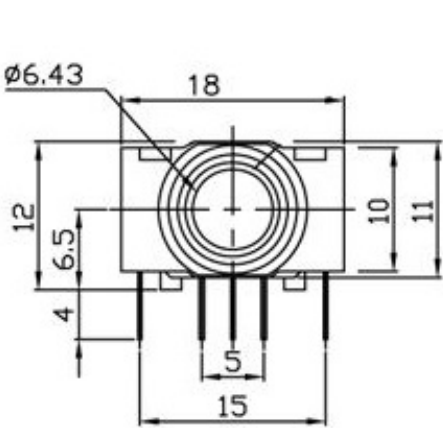


Item No. : K3606D

RoHS : RoHS

Description :

9P 6.35mm stereo phone jack



T:1.6 Dimensions of PC board holes
Tolerance : ±0.1(Printed-top view)