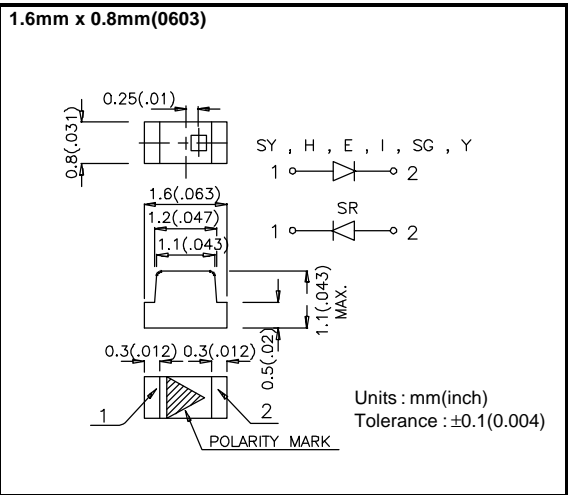


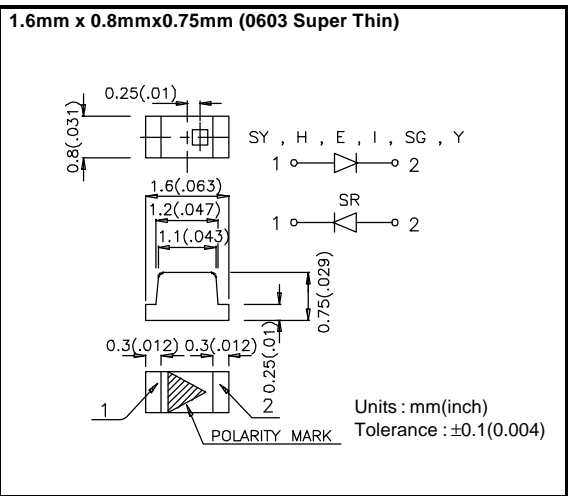
KP-1608	KPT-1608	KP-2012
----------------	-----------------	----------------

Part No.	Emitting Color + Material	Wave-length (nm)	Lens Type	Iv (mcd) @20mA		Viewing Angle 2 ϕ 1/2	Dimension
				Min.	Typ.		

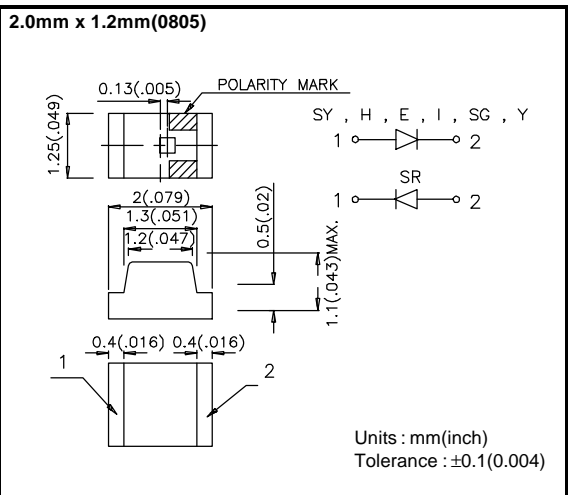
KP-1608HD	GaP	700	red diffused	0.8	1.25	120°
KP-1608HT	GaP	700	red transparent	0.8	1.25	120°
KP-1608HC	GaP	700	water clear	0.8	1.25	120°
KP-1608ID	GaAsP/GaP	625	red diffused	5	12.5	120°
KP-1608IT	GaAsP/GaP	625	red transparent	5	12.5	120°
KP-1608EC	GaAsP/GaP	625	water clear	5	12.5	120°
KP-1608SGD	GaP	565	green diffused	3.2	12.5	120°
KP-1608SGT	GaP	565	green transparent	3.2	12.5	120°
KP-1608SGC	GaP	565	water clear	3.2	12.5	120°
KP-1608YD	GaAsP/GaP	590	yellow diffused	3.2	8	120°
KP-1608YT	GaAsP/GaP	590	yellow transparent	3.2	8	120°
KP-1608YC	GaAsP/GaP	590	water clear	3.2	8	120°
KP-1608SRD	GaAlAs	660	red diffused	40	70	120°
KP-1608SRT	GaAlAs	660	red transparent	40	70	120°
KP-1608SRC	GaAlAs	660	water clear	40	70	120°
KP-1608SYD	InGaAlP	595	yellow diffused	40	60	120°
KP-1608SYT	InGaAlP	595	yellow transparent	40	60	120°
KP-1608SYC	InGaAlP	595	water clear	40	60	120°



KPT-1608HD	GaP	700	red diffused	0.8	1.25	120°
KPT-1608HT	GaP	700	red transparent	0.8	1.25	120°
KPT-1608HC	GaP	700	water clear	0.8	1.25	120°
KPT-1608ID	GaAsP/GaP	625	red diffused	5	12.5	120°
KPT-1608IT	GaAsP/GaP	625	red transparent	5	12.5	120°
KPT-1608EC	GaAsP/GaP	625	water clear	5	12.5	120°
KPT-1608SGD	GaP	565	green diffused	3.2	12.5	120°
KPT-1608SGT	GaP	565	green transparent	3.2	12.5	120°
KPT-1608SGC	GaP	565	water clear	3.2	12.5	120°
KPT-1608YD	GaAsP/GaP	590	yellow diffused	3.2	8	120°
KPT-1608YT	GaAsP/GaP	590	yellow transparent	3.2	8	120°
KPT-1608YC	GaAsP/GaP	590	water clear	3.2	8	120°
KPT-1608SRD	GaAlAs	660	red diffused	40	70	120°
KPT-1608SRT	GaAlAs	660	red transparent	40	70	120°
KPT-1608SRC	GaAlAs	660	water clear	40	70	120°
KPT-1608SYD	InGaAlP	595	yellow diffused	40	60	120°
KPT-1608SYT	InGaAlP	595	yellow transparent	40	60	120°
KPT-1608SYC	InGaAlP	595	water clear	40	60	120°



KP-2012HD	GaP	700	red diffused	0.8	1.25	120°
KP-2012HT	GaP	700	red transparent	0.8	1.25	120°
KP-2012HC	GaP	700	water clear	0.8	1.25	120°
KP-2012ID	GaAsP/GaP	625	red diffused	5	12.5	120°
KP-2012IT	GaAsP/GaP	625	red transparent	5	12.5	120°
KP-2012EC	GaAsP/GaP	625	water clear	5	12.5	120°
KP-2012SGD	GaP	565	green diffused	3.2	12.5	120°
KP-2012SGT	GaP	565	green transparent	3.2	12.5	120°
KP-2012SGC	GaP	565	water clear	3.2	12.5	120°
KP-2012YD	GaAsP/GaP	590	yellow diffused	3.2	8	120°
KP-2012YT	GaAsP/GaP	590	yellow transparent	3.2	8	120°
KP-2012YC	GaAsP/GaP	590	water clear	3.2	8	120°
KP-2012SRD	GaAlAs	660	red diffused	40	70	120°
KP-2012SRT	GaAlAs	660	red transparent	40	70	120°
KP-2012SRC	GaAlAs	660	water clear	40	70	120°
KP-2012SYD	InGaAlP	595	yellow diffused	40	60	120°
KP-2012SYT	InGaAlP	595	yellow transparent	40	60	120°
KP-2012SYC	InGaAlP	595	water clear	40	60	120°



NOTE :

1. KP series custom-made is available upon request.