



Relay module; Relay with 1 make contact (1a)

Item No.: 286-364



Relay module; Relay with 1 make contact (1a)

Marking

RoHS
Compliant

Business data

Supplier	WAGO
Item no.	286-364
GTIN / EAN	4045454524968
Content	1
Order amount	1
Customer item number	

Notes

Item description: Short description: Hinweis: WSB marking cards Marking K; Item No.: 209782 Marking 1 ... 10; Item No.: 209-702 Marking A1, A2, 13, 14; Item No.: 209952 Marking A1, A2, 11, 12; Item No.: 2099535 cards, 10 strips with 10 markers each

Technical data

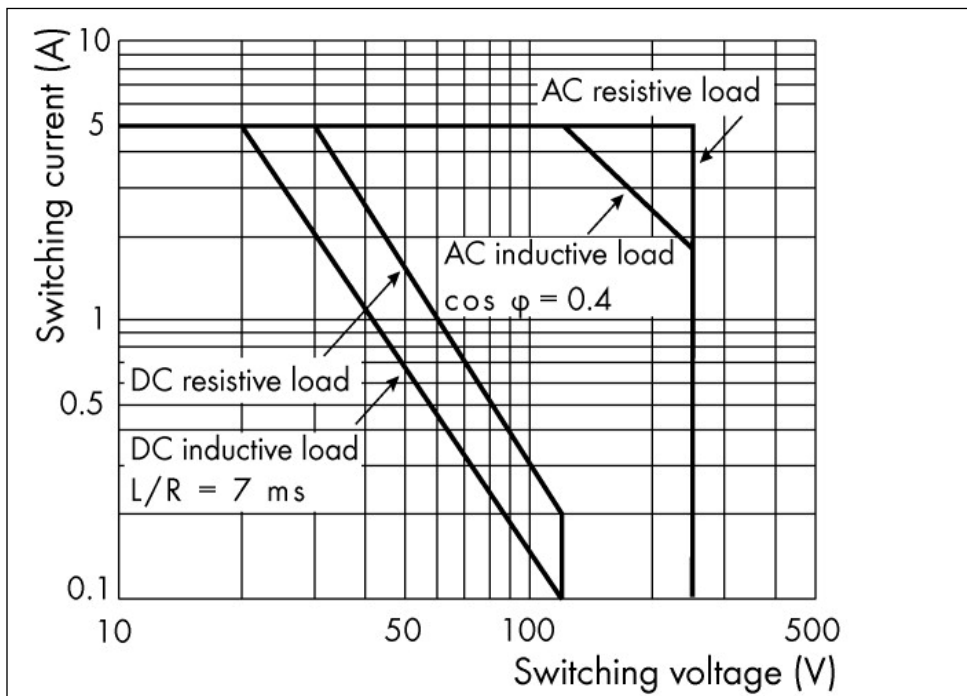
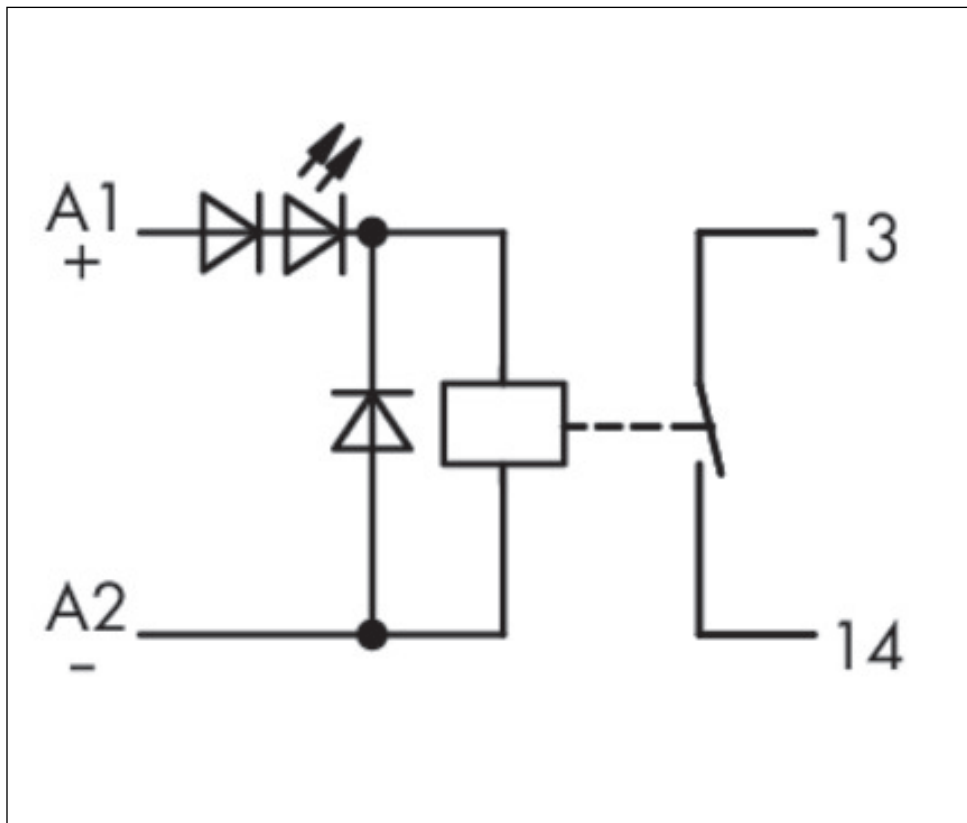
Miscellaneous

Color	gray
Pollution degree	2
Rated voltage [V]	250 [V]
Rated impulse voltage [kV]	2.5 [kV]

Technical data	
<i>Pull-in time (typ.) [ms]</i>	<i>6 [ms]</i>
<i>Mechanical life</i>	<i>5 x 10⁴ switching operations</i>
<i>Drop-out time (typ.) [ms]</i>	<i>6 [ms]</i>
<i>Nominal input current I_N</i>	<i>7.4 mA</i>
<i>Operating power</i>	<i>200 mW</i>
<i>Max. switching voltage</i>	<i>250 VAC</i>
<i>Max. switching power (resistive)</i>	<i>1250 VA</i>
<i>Bounce time (typ) [ms]</i>	<i>2 [ms]</i>
<i>Dielectric strength, contact-coil (AC, 1 min) [kVrms</s</i>	<i>2.5 [kVrms]</i>
<i>Mechanical life at max. load (resistance)</i>	<i>1 x 10⁵ switching operations</i>
<i>Nominal input voltage U_N</i>	<i>24 VDC</i>
<i>Max. continuous current</i>	<i>5 A</i>
<i>Pull-in power (mW) [mW]</i>	<i>100 [mW]</i>
<i>Electrical life</i>	<i>1 x 10⁴ switching operations</i>
<i>Contact material</i>	<i>AgCdO</i>
<i>Fire load [MJ]</i>	<i>0.356 [MJ]</i>
<i>Weight [g]</i>	<i>16.8 [g]</i>
<i>Width</i>	<i>10 mm / 0.394 Inch</i>
<i>Height from upper-edge of DIN-35 rail</i>	<i>82.5 mm / 3.248 Inch</i>
<i>Storage temperature</i>	<i>-25 ... +40 °C</i>
<i>Type of mounting</i>	<i>Pluggable module for carrier terminal blocks</i>
<i>Ambient operating temperature at V_N</i>	<i>-25 °C ... +40 °C</i>

Images & drawings





Address

WAGO Kontakttechnik GmbH & Co. KG

Hansastr. 27

32423 Minden

Telefon: 0571/887-0

Fax: 0571/887-169

<http://www.wago.com>

© WAGO Kontakttechnik GmbH & Co. KG

Technische Änderungen und Irrtümer vorbehalten.