



2-channel digital output; AC 250 V; 2.0 A; Potential-free; Relay, 2 make contacts

Item No.: 750-513



2-channel digital output; AC 250 V; 2.0 A; Potential-free; Relay, 2 make contacts

Marking

RoHS ✓
Compliant

Business data

Supplier	WAGO
Item no.	750-513
GTIN / EAN	4045454393434
Content	1
Order amount	1
Customer item number	

Notes

Item description: This digital output module transmits control signals from the automation device to the connected actuators. The internal system voltage triggers the relay. The NO contacts are electrically isolated. The switched status of the relay is shown by a LED. Switching power: 500 VA / 60 W (resistive load) $\cos \phi \max. = 0.4$; L/R max = 7 ms Electrical life (min.): 3 x 10⁵ switching operations (2 A / 250 V AC) or (2 A / 30 V DC)

Technical data

Miscellaneous

Color	light gray
Conformity marking	CE

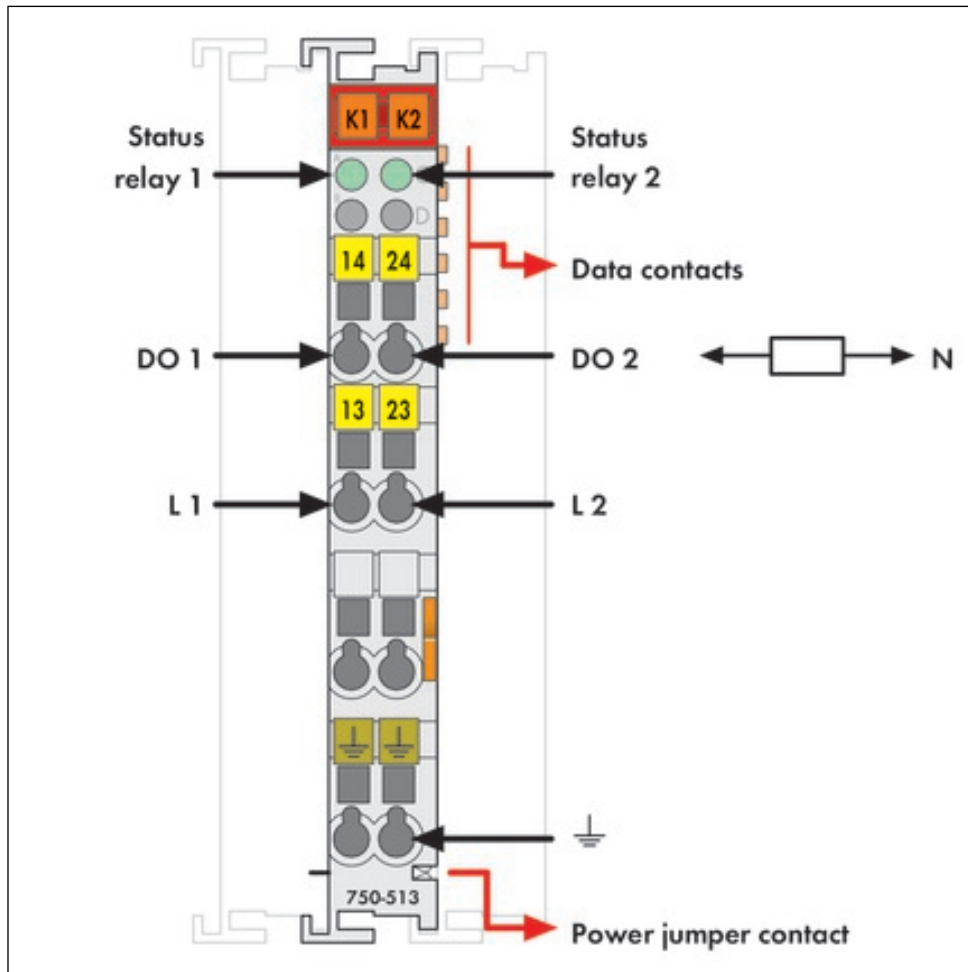
Technical data	
No. of outputs	2 make contacts
Isolation	1.5 kV eff. (field/system)*; * 2.5kV rated impulse voltage
Max. current consumption (internal) [mA]	100 [mA]
Max. switching voltage	250 V AC / 30 V DC
Switching current (min.) [mA]	10 [mA]
Min. switching current	10 mA / 5 V DC
Max. switching current	2 A AC/DC
Max. switching frequency	30/min (at nominal load)
Pull-in time (max.) [ms]	10 [ms]
Bounce time (typ.) [ms]	1.2 [ms]
Drop-out time (max.) [ms]	10 [ms]
Contact material	Silver alloy
Mechanical life (min.)	2 x 10 ⁷ switching operations
Internal bit width	2 bits
Type of signal	230 VAC
Degree of protection	IP20
Connection technology	CAGE CLAMP®
Solid conductor	0.08 ... 2.5 mm ² / 28 ... 14 AWG
Fine-stranded conductor	0.08 ... 2.5 mm ² / 28 ... 14 AWG
Strip length	8 ... 9 mm / 0.31 ... 0.35 Inch
Fire load [MJ]	1.284 [MJ]
Weight [g]	50.808 [g]
Width	12 mm / 0.472 Inch
Height	69.8 mm / 2.748 Inch
Height from upper-edge of DIN-35 rail	62.6 mm / 2.465 Inch
Depth	100 mm / 3.937 Inch
Housing material	Polycarbonat, Polyamid 6.6
Storage temperature	-25 °C ... +85 °C
Relative air humidity (no condensation) [%]	95 [%]
Type of mounting	DIN-35 x 15 carrier rail
Operating temperature	0°C ... +55°C
Mounting position	any
Exposure to pollutants	gemäß IEC 60068-2-42 und IEC 60068-2-43
EMC emission of interference	acc. to EN 61000-6-4, marine applications

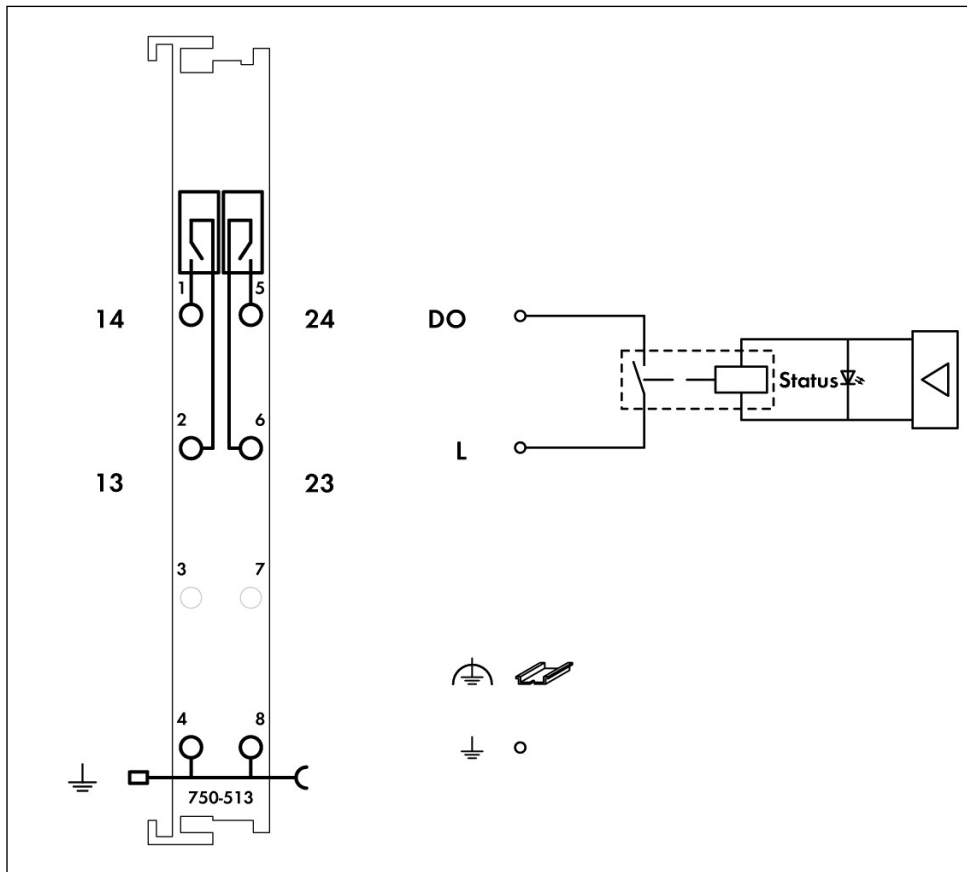
Technical data

<i>EMC immunity to interference</i>	<i>acc. to EN 61000-6-2, marine applications</i>
<i>Shock resistance</i>	<i>acc. to IECacc. to IEC 60068-2-27</i>
<i>Vibration resistance</i>	<i>acc. to IECacc. to IEC 60068-2-6</i>

Images & drawings







Address

WAGO Kontakttechnik GmbH & Co. KG

Hansastr. 27

32423 Minden

Telefon: 0571/887-0

Fax: 0571/887-169

<http://www.wago.com>

© WAGO Kontakttechnik GmbH & Co. KG

Technische Änderungen und Irrtümer vorbehalten.