



SEM-1201S

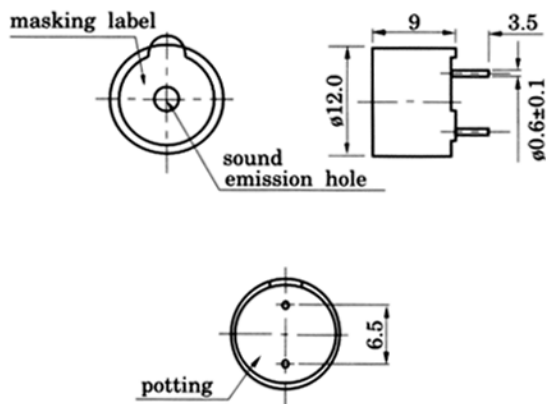


SEM-1601

## FEATURES:

- ▲ COMPACT SIZE, RICH SOUND
- ▲ SOLDERING CONDITION:  
250°C WITHIN 5 SECONDS, 350°C WITHIN 1.5 SECONDS
- ▲ SEALED DESIGN FOR AUTOMATIC SOLDERING AND WASHING
- ▲ REPRODUCE FREQUENCY RANGE IS ADJUSTABLE

Model No	SEM-1201S	SEM-1206S	SEM-1212S
Rated Voltage (V)	1.5	5.0	12
Operating Voltage (V)	10 ~ 3.0	4.0 ~ 8.0	6 ~ 15
Current Consumption (mA)	MAX. 40mA		
Direct Current Resistance (Ohm)	16 ± 15%	45 ± 15%	140 ± 15%
Resonant Frequency (Hz)	2400 ± 200		
Sound Pressure Level (10cm/dB)	MIN. 85		
Operating Temperature (°C)	-40 ~ +85		
Storage Temperature (°C)	-50 ~ +95		
Weight (GRAMS)	2.0		
Terminal	TWO PINS LEAD TYPE		



Model No	SEM-1601	SEM-1606	SEM-1612
Rated Voltage (V)	1.5	6.0	12
Operating Voltage (V)	10 ~ 3.0	4.0 ~ 9.0	6.0 ~ 18
Current Consumption (mA)	MAX. 40mA		
Direct Current Resistance (Ohm)	27.0 ± 15%	50 ± 15%	115 ± 15%
Resonant Frequency (Hz)	2048 ± 200		
Sound Pressure Level (10cm/dB)	MIN. 80	MIN. 85	MIN. 85
Operating Temperature (°C)	-20 ~ +75		
Storage Temperature (°C)	-30 ~ +85		
Weight (GRAMS)	7.0		
Terminal	TWO PINS LEAD TYPE		

