

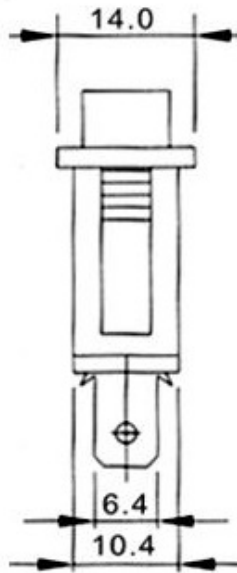
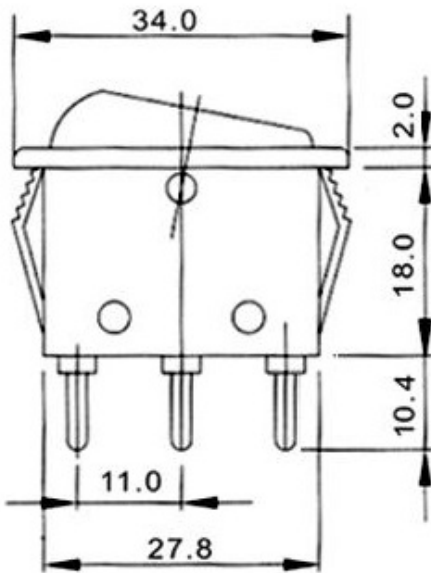


Item No. : B120E

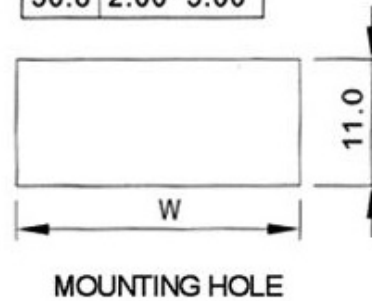
RoHS :  RoHS

**Description :**

3P illuminated rocker switch (SPST)  
on-off 250V 10A



| W    | Panel Thickness |
|------|-----------------|
| 30.2 | 0.75~1.25       |
| 30.4 | 1.25~2.00       |
| 30.8 | 2.00~3.00       |



**Specifications**

Rating: 16A 125VAC 10A 250VAC  
 Contact resistance: 50mΩ Max.  
 Insulation resistance: DC 500V 100MΩ Min.  
 Dielectric strength: AC 1500V 1 minute.