



Female connector; with locking levers; 16-pole; Pin spacing 3.5 mm / 0.138 in; 100% protected against mismatching; codable

Item No.: 734-116/037-000



Female connector; with locking levers; 16-pole; Pin spacing 3.5 mm / 0.138 in; 100% protected against mismatching; codable

Marking

RoHS ✓
Compliant

Business data

Supplier	WAGO
Item no.	734-116/037-000
GTIN / EAN	4044918493925
Content	1
Order amount	25
Customer item number	

Notes

Item description: Universal connection for all conductor types Easy cable pre-assembly and on-unit wiring via vertical and horizontal CAGE CLAMP® actuation Strain relief plates and housings for in-the-field assembly 100% protected against mismatching Coding option available

Technical data

Miscellaneous

No. of poles	16
Pin spacing	3.5 mm (0.138 in)

Technical data	
Total number of connection points	16
Total number of potentials	16
Color	light gray
Ratings per	IEC/EN 60664-1
Rated voltage (III / 3) [V]	160 [V]
Rated impulse voltage (III / 3) [kV]	2.5 [kV]
Rated voltage (III/2) [V]	160 [V]
Rated impulse voltage (III / 2) [kV]	2.5 [kV]
Rated voltage (II / 2) [V]	320 [V]
Rated impulse voltage (II / 2) [kV]	2.5 [kV]
Rated current [A]	10 [A]
Number of connection objects	1
Number of levels	1
Connection technology	CAGE CLAMP®
Number of connection points connector	1
Actuation type	Operating tool
Solid conductors, tool-operated termination	0.08 ... 1.5 mm ² / 28 ... 14 AWG
Fine-stranded conductors, tool-operated termination	0.08 ... 1.5 mm ² / 28 ... 14 AWG
Fine-stranded conductors with insulated ferrule	0.25 ... 1.5 mm ² / ...
Fine-stranded conductors with uninsulated ferrule	0.25 ... 1.5 mm ² / ...
Strip length	6 ... 7 mm / 0.24 ... 0.28 inch
Cross section from (1) [AWG]	28 [AWG]
Cross section from (2) [mm ²]	0.08 [mm ²]
Cross section up to (2) [mm ²]	1.5 [mm ²]
Material group	I
Insulating material	Polyamide 66 (PA 66)
Flammability class per UL94	V0
Limit temperature range	-60 ... 100 C
Clamping spring material	Chrome-nickel spring steel (CrNi)
Contact material	Copper alloy
Contact plating	tin-plated
Fire load [MJ]	0.199 [MJ]
Weight [g]	12.511 [g]
Width	67.8 mm / 2.669 in.

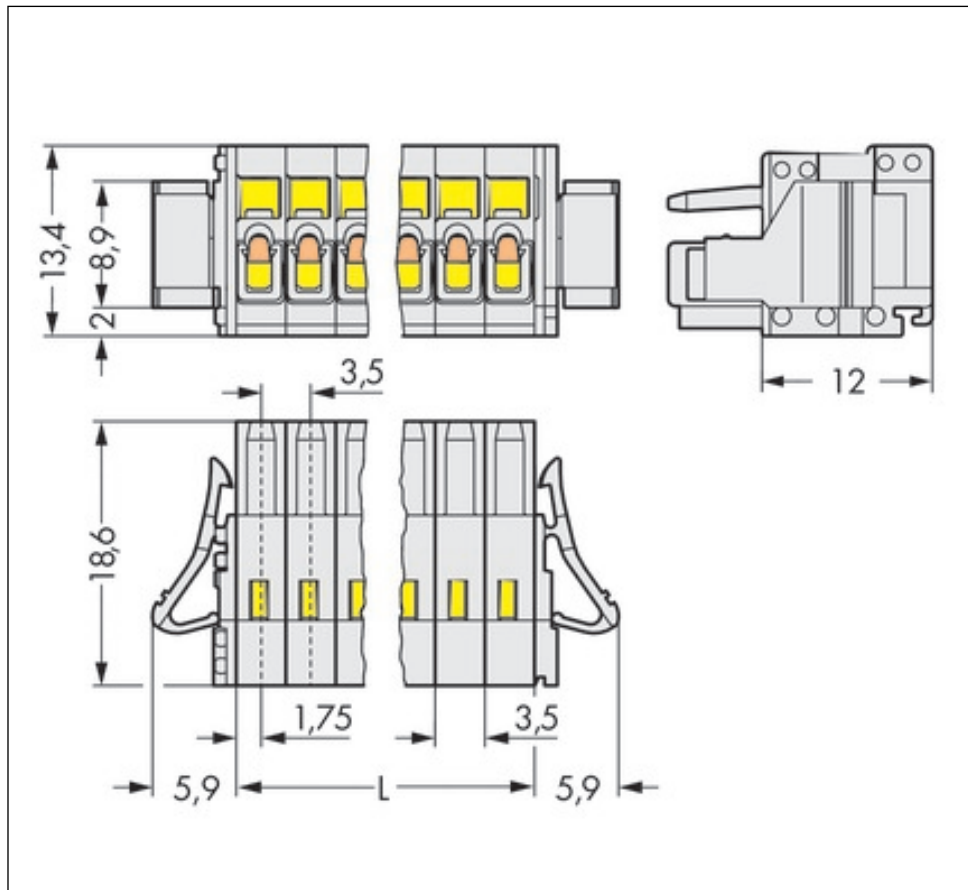
Printview: Female connector; with locking levers; 16-pole; Pin spacing 3.5 mm / 0.138 in; 100% protected against mismatching; codable - Item No.: 734-116/037-000

Technical data	
<i>Height</i>	<i>13.4 mm / 0.528 in.</i>
<i>Depth</i>	<i>18.6 mm / 0.732 in.</i>

Images & drawings



Printview: Female connector; with locking levers; 16-pole; Pin spacing 3.5 mm / 0.138 in; 100% protected against mismatching; codable - Item No.: 734-116/037-000



Address

WAGO Kontakttechnik GmbH & Co. KG

Hansastr. 27

32423 Minden

Telefon: 0571/887-0

Fax: 0571/887-169

<http://www.wago.com>

© WAGO Kontakttechnik GmbH & Co. KG

Technische Änderungen und Irrtümer vorbehalten.