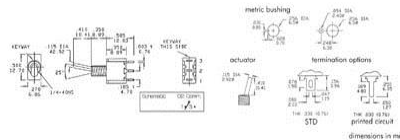
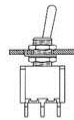
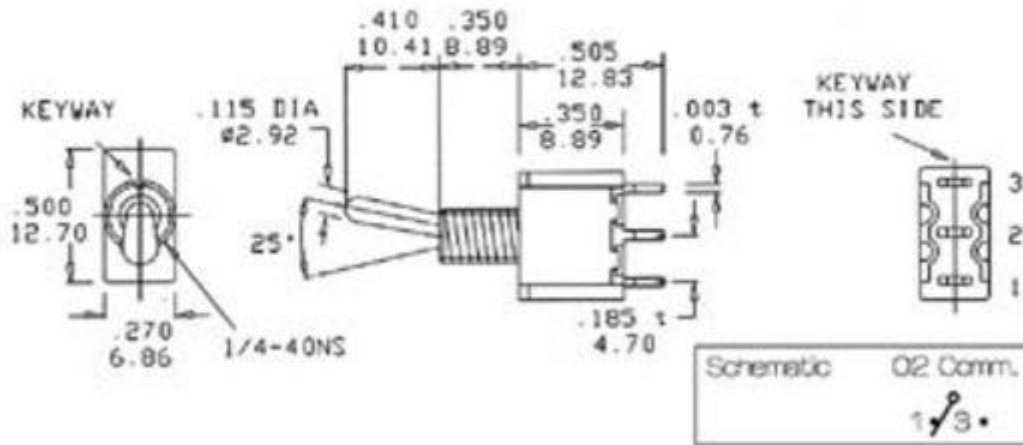


VERTICAL TOGGLE SWITCH SPDT ON-(ON) - PCB TYPE – 8013AC



Specifications

- switching position:
 - 2-3: ON
 - OPEN: NONE
 - 2-1: (ON)
- remark: PCB type
- contact rating: 5A with resistive load of 120Vac or 28Vdc
- electrical life: 50000 make-and-break cycles at full load
- contact resistance: initially max. 10mohm at 2-4Vdc / 10mA for both coin silver and gold-plated contacts
- insulation resistance: min. 1000Mohm
- dielectric strength: 1000Vrms at sea level
- operating temperature: -30°C to +85°C
- materials:
 - case: melamine or diallyl phthalate (DAP)
 - toggle handle: brass, chrome-plated
 - bushing: brass, nickel-plated
 - housing: stainless steel
 - end contact: coin silver, silver-plated
 - end terminal: brass, silver-plated
 - centre contact and terminal: brass, silver-plated