



## 2-channel analog input; 0 ... 20 mA; Single-ended; 16 bits

Item No.: 750-472



2-channel analog input; 0 ... 20 mA; Single-ended; 16 bits

### Marking

RoHS ✓  
Compliant

### Business data

Supplier	WAGO
Item no.	750-472
GTIN / EAN	4045454393250
Content	1
Order amount	1
Customer item number	

### Notes

*Item description: The analog input module powers the transducers, receives transmitted analog signals, and with electrical isolation, transmits the signals to the fieldbus. The 24V supply for the field is derived from the module's power jumper contacts. The shield (screen) is directly connected to the DIN rail. At approx. 25mA, the overload protection switches the measurement input to a high-resistance state. Under normal operating conditions it will automatically switch back. This input module can supply the voltage for 2-wire transducers.*

### Technical data

#### Miscellaneous

Color	light gray
Conformity marking	CE

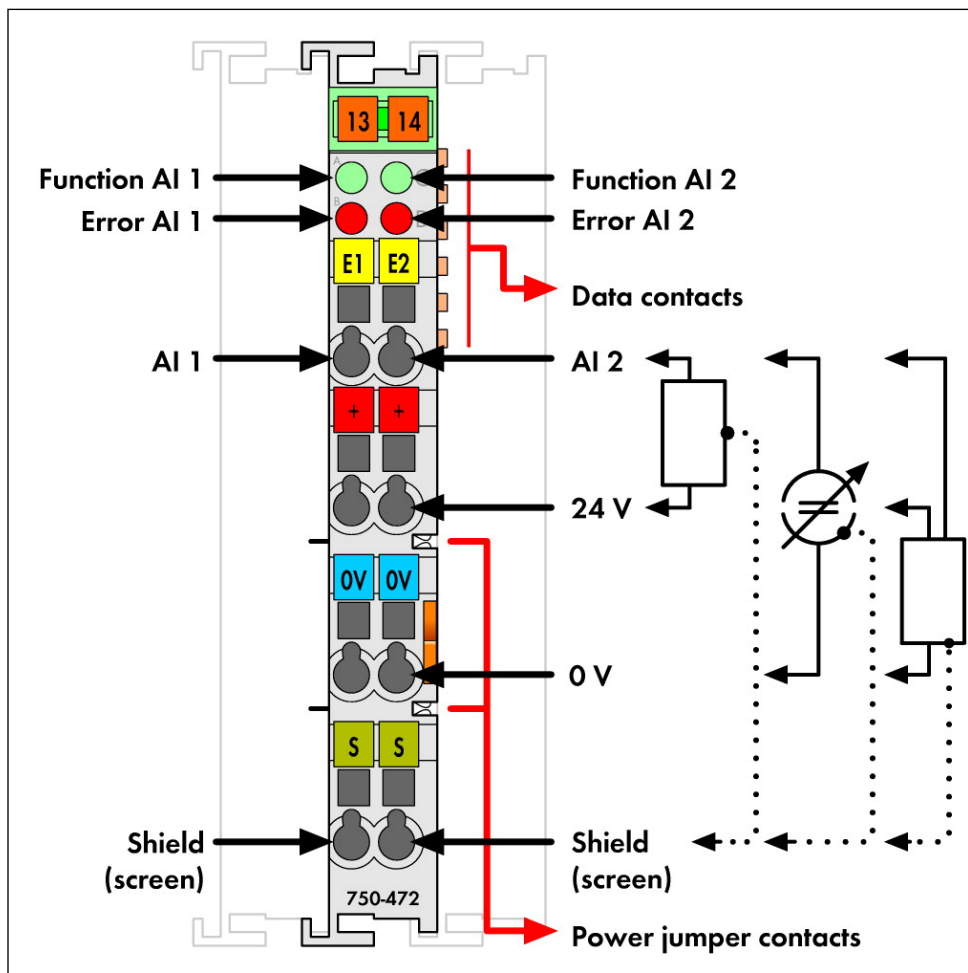
<b>Technical data</b>	
Number of inputs	2
Power supply	via system voltage DC/DC
Isolation	500 V system/supply
Current consumption (internal) (3) [mA]	75 [mA]
Input filter	50Hz
Input voltage (max.)	24V
Input voltage	non-linear, overload protected $V = 1.2 V + 100 \times I \text{ meas.}$
Signal current	0 - 20mA
Input resistance	220 / 20mA
Overvoltage protection	30 V polarity reversal protection
Resolution	15 bits
Conversion time (typ.) [ms]	80 [ms]
Noise rejection at sampling frequency [dB]	< -100 [dB]
Noise rejection above sampling frequency [dB]	< -40 [dB]
Measuring error (25 °C)	< $\pm 0.1$ % of the full scale value
Temperature coefficient	< $\pm 0.01$ % / K of the full scale value
Bit width	2 x 16-bit data; 2 x 8-bit control/status (optional)
Type of signal	0 ... 20 mA
Degree of protection	IP20
Connection technology	CAGE CLAMP®
Solid conductor	0.08 ... 2.5 mm <sup>2</sup> / 28 ... 14 AWG
Fine-stranded conductor	0.08 ... 2.5 mm <sup>2</sup> / 28 ... 14 AWG
Strip length	8 ... 9 mm / 0.31 ... 0.35 Inch
Fire load [MJ]	1.31 [MJ]
Weight [g]	52.5 [g]
Width	12 mm / 0.472 Inch
Height	69.8 mm / 2.748 Inch
Height from upper-edge of DIN-35 rail	62.6 mm / 2.465 Inch
Depth	100 mm / 3.937 Inch
Storage temperature	-25 °C ... +85 °C
Relative air humidity (no condensation) [%]	95 [%]
Type of mounting	DIN-35 x 15 carrier rail
Operating temperature	0°C ... +55°C
EMC emission of interference	acc. to EN 61000-6-4, marine applications
EMC immunity to interference	acc. to EN 61000-6-2, marine applications

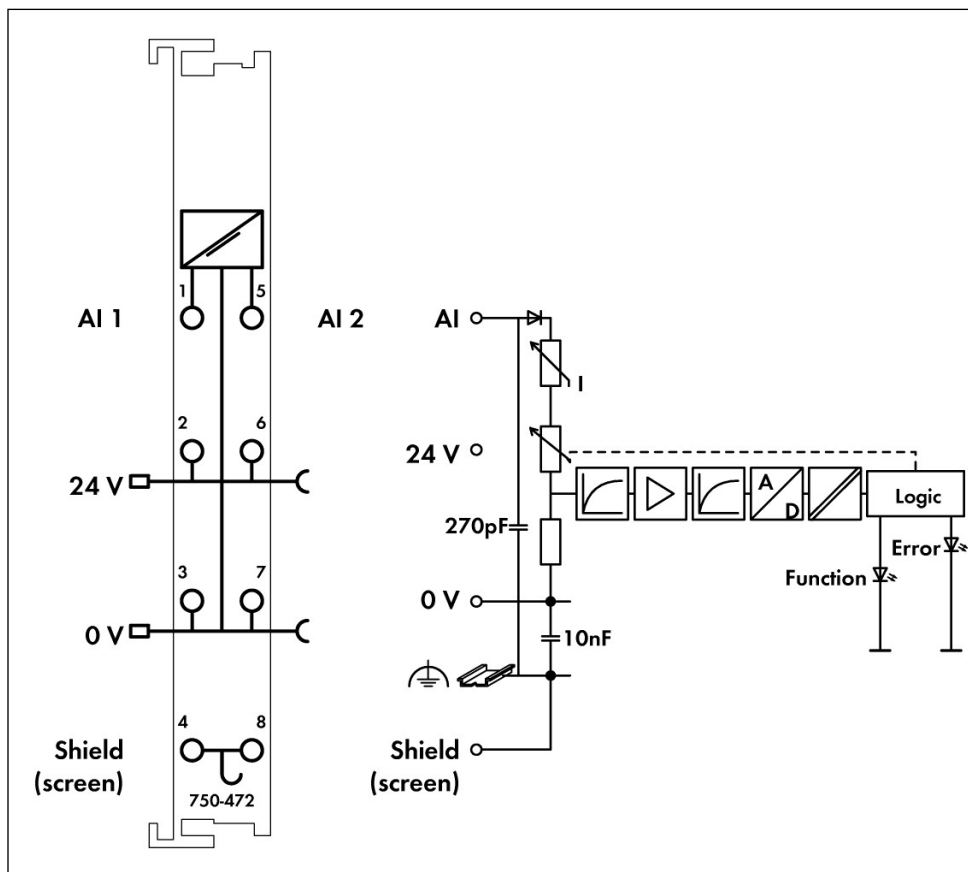
**Technical data**

<i>Shock resistance</i>	<i>acc. to IEC</i> <i>acc. to IEC 60068-2-27</i>
<i>Vibration resistance</i>	<i>acc. to IEC</i> <i>acc. to IEC 60068-2-6</i>

Images & drawings







## Address

WAGO Kontakttechnik GmbH & Co. KG

Hansastr. 27

32423 Minden

Telefon: 0571/887-0

Fax: 0571/887-169

<http://www.wago.com>

© WAGO Kontakttechnik GmbH & Co. KG

Technische Änderungen und Irrtümer vorbehalten.