



Female connector; with locking levers; 24-pole; Pin spacing 5 mm / 0.197 in; codable; with 2 locking latches; with coding finger; with latch

Item No.: 231-124/037-000



Female connector; with locking levers; 24-pole; Pin spacing 5 mm / 0.197 in; codable; with 2 locking latches; with coding finger; with latch

Marking

RoHS ✓
Compliant

Business data

Supplier	WAGO
Item no.	231-124/037-000
GTIN / EAN	4044918343398
Content	1
Order amount	10
Customer item number	

Notes

Item description: Universal connection for all conductor types Easy cable pre-assembly and on-unit wiring via vertical and horizontal CAGE CLAMP® actuation Integrated test ports Coding option available

Technical data

Miscellaneous

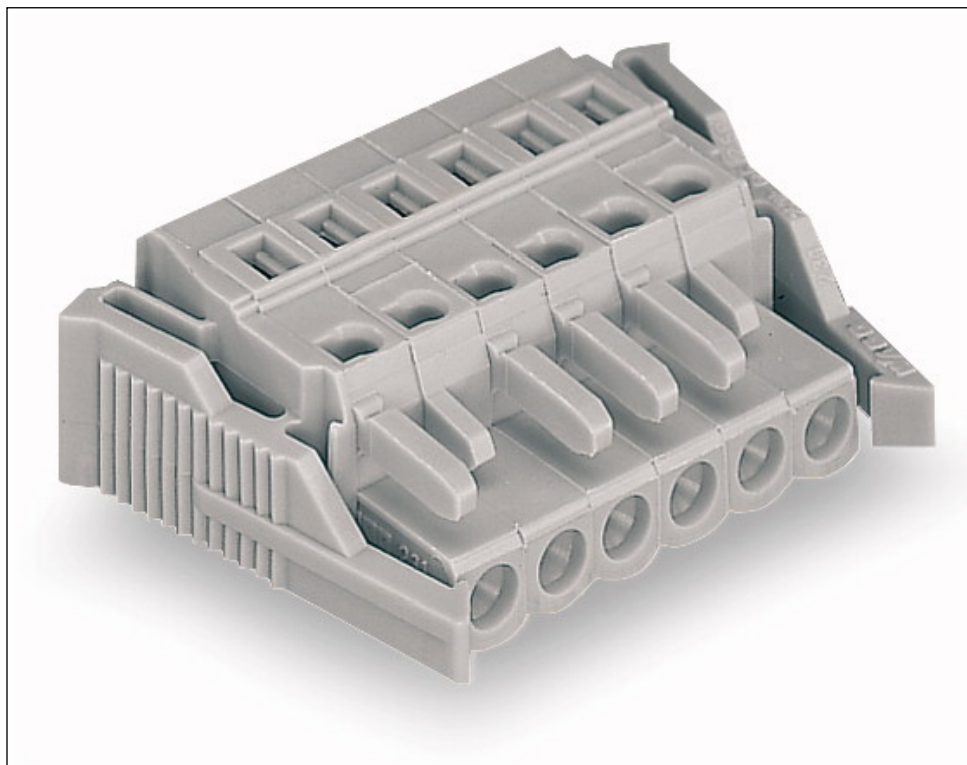
No. of poles	24
Pin spacing	5 mm (0.197 in)
Total number of connection points	24

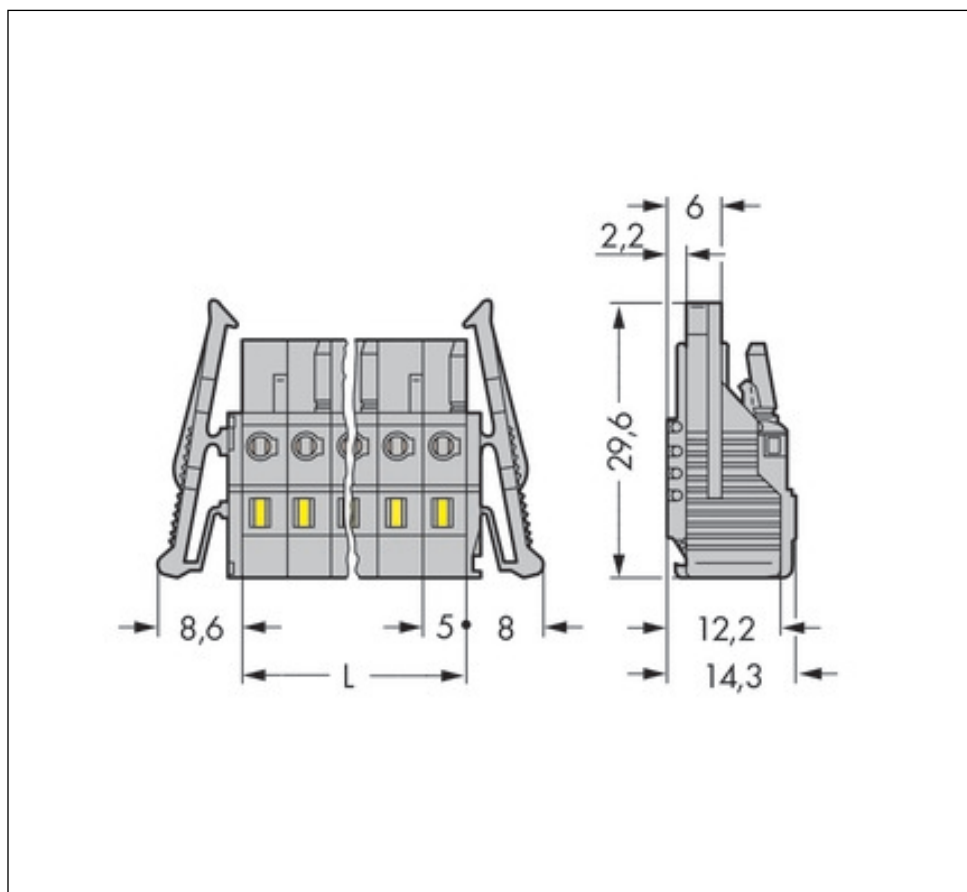
Printview: Female connector; with locking levers; 24-pole; Pin spacing 5 mm / 0.197 in; codable; with 2 locking latches; with coding finger; with latch - Item No.: 231-124/037-000

Technical data	
Total number of potentials	24
Color	gray
Ratings per	IEC/EN 60664-1
Rated voltage (III / 3) [V]	320 [V]
Rated impulse voltage (III / 3) [kV]	4 [kV]
Rated voltage (III/2) [V]	320 [V]
Rated impulse voltage (III / 2) [kV]	4 [kV]
Rated voltage (II / 2) [V]	630 [V]
Rated impulse voltage (II / 2) [kV]	4 [kV]
Rated current [A]	16 [A]
Number of connection objects	1
Number of levels	1
Connection technology	CAGE CLAMP®
Number of connection points connector	1
Actuation type	Operating tool
Solid conductors, tool-operated termination	0.08 ... 2.5 mm ² / 28 ... 12 AWG
Fine-stranded conductors, tool-operated termination	0.08 ... 2.5 mm ² / 28 ... 12 AWG
Fine-stranded conductors with insulated ferrule	0.25 ... 1.5 mm ² / ...
Fine-stranded conductors with uninsulated ferrule	0.25 ... 2.5 mm ² / ...
Strip length	8 ... 9 mm / 0.31 ... 0.35 inch
Material group	I
Insulating material	Polyamide 66 (PA 66)
Flammability class per UL94	V0
Limit temperature range	-60 ... 85 C
Clamping spring material	Chrome-nickel spring steel (CrNi)
Contact material	Copper alloy
Contact plating	tin-plated
Fire load [MJ]	0.629 [MJ]
Weight [g]	43.424 [g]
Width	136.6 mm / 5.378 in.
Height	14.3 mm / 0.563 in.
Depth	29.6 mm / 1.165 in.

Printview: Female connector; with locking levers; 24-pole; Pin spacing 5 mm / 0.197 in; codable; with 2 locking latches; with coding finger; with latch - Item No.: 231-124/037-000

Images & drawings





Address

WAGO Kontakttechnik GmbH & Co. KG

Hansastr. 27

32423 Minden

Telefon: 0571/887-0

Fax: 0571/887-169

<http://www.wago.com>

© WAGO Kontakttechnik GmbH & Co. KG

Technische Änderungen und Irrtümer vorbehalten.