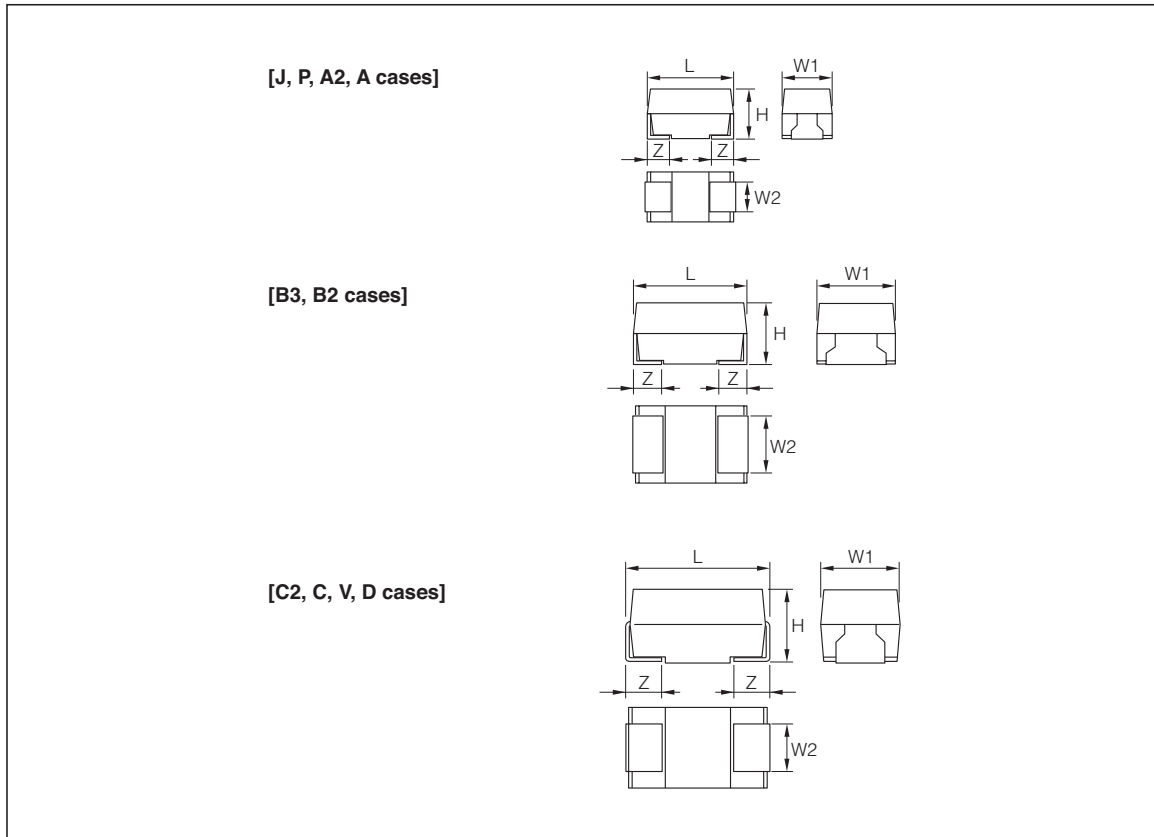


#### ■ FEATURES

- Lead-free Type. RoHS Compliant.
- Offer a range of small, high-capacity models.
- Succeed to the latest technology plus outstanding performance.
- Halogen free, Antimony free and Red Phosphorous free resin is applied to the exterior mold resin.

#### ■ DIMENSIONS [mm]



(Unit: mm)

Case Code	EIA code	L	W1	W2	H	Z
J	-	1.6 ± 0.1	0.8 ± 0.1	0.6 ± 0.1	0.8 ± 0.1	0.3 ± 0.15
P	2012	2.0 ± 0.2	1.25 ± 0.2	0.9 ± 0.1	1.1 ± 0.1	0.5 ± 0.1
A2 (U)	3216L	3.2 ± 0.2	1.6 ± 0.2	1.2 ± 0.1	1.1 ± 0.1	0.8 ± 0.2
A	3216	3.2 ± 0.2	1.6 ± 0.2	1.2 ± 0.1	1.6 ± 0.2	0.8 ± 0.2
B3 (W)	3528L	3.5 ± 0.2	2.8 ± 0.2	2.2 ± 0.1	1.1 ± 0.1	0.8 ± 0.2
B2 (S)	3528	3.5 ± 0.2	2.8 ± 0.2	2.2 ± 0.1	1.9 ± 0.2	0.8 ± 0.2
C2	-	6.0 ± 0.2	3.2 ± 0.2	2.2 ± 0.1	1.4 ± 0.1	1.3 ± 0.2
C	6032	6.0 ± 0.2	3.2 ± 0.2	2.2 ± 0.1	2.5 ± 0.2	1.3 ± 0.2
V	-	7.3 ± 0.2	4.3 ± 0.2	2.4 ± 0.1	1.9 ± 0.1	1.3 ± 0.2
D	7343	7.3 ± 0.2	4.3 ± 0.2	2.4 ± 0.1	2.8 ± 0.2	1.3 ± 0.2



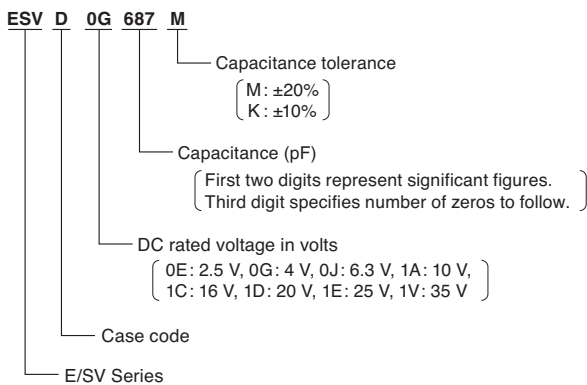
■ STANDARD C-V VALUE REFERENCE BY CASE CODE

μF \ U <sub>R</sub>		U <sub>R</sub> : Rated Voltage							
		2.5V 0E	4V 0G	6.3V 0J	10V 1A	16V 1C	20V 1D	25V 1E	35V 1V
0.47	474					P	A2	A	A
0.68	684					P	A2	A	A
1.0	105				P	J, P	A2	P, A2, A	A2, A
1.5	155			P	J, P	J, A	A2		A
2.2	225			J	J, P	J, P, A2, A	P, A2, A	A	A, B2
3.3	335		P	J	J, P, A2	P, A2, A	A2, A, B3	A	B3, B2
4.7	475			J, P, A	J, P, A2, A	A2, A	A2, A, B3, B2	B3, B2	C
6.8	685		J	J, P, A2	A2, A	A, B3	B3, B2	B2	C
10	106	J	J, P	J, P, A2, A	P, A2, A, B2	A, B3, B2	B2	C2, C	C, D
15	156	J	P	P, A2, A	A2, B3	A, B2	C	C	D
22	226	P, A2	P, A2, A	P, A2, A, B3, B2	A, B3, B2	B3, B2, C	B2, C2, C, D	D	
33	336	P, A2	P, A2, A	A2, A, B3	B3, B2	B2, C2, C	D	D	
47	476	P, A2, A	P, A2, A, B3	A, B3, B2, C	A, B2, C2, C	C, D	C, D		
68	686	A	A, B3	A, B3, B2, C2	B2, C2, C	C, D			
100	107	A, B3, B2	A2, A, B3, B2, C2	A, B3, B2, C2, C	B2, C2, C, V, D	D			
150	157	A, B3, C2	B2, C2	B2, C	V, D				
220	227	B3, B2, C2	B2, C	B2, C, V, D	D				
330	337	B3, B2, C	C, V	V, D					
470	477	B2, C, D	D	D					
680	687		D						

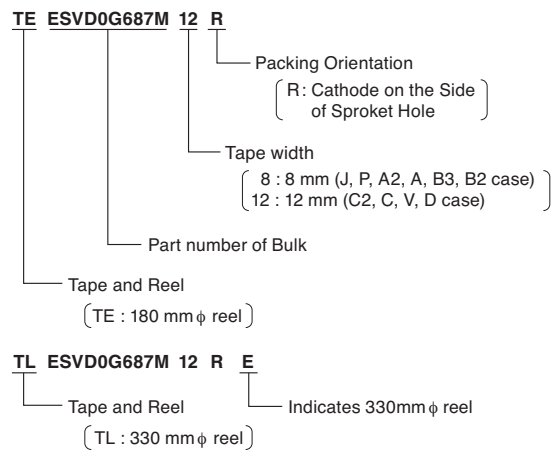
Manganese dioxide type

■ PART NUMBER SYSTEM

[Bulk]



[Tape and Reel]

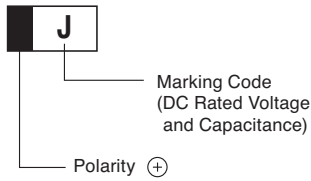


- All specifications in this catalog and production status of products are subject to change without notice. Prior to the purchase, please contact NEC TOKIN for updated product data.
- Please request for a specification sheet for detailed product data prior to the purchase.
- Before using the product in this catalog, please read "Precautions" and other safety precautions listed in the printed version catalog.

■ MARKINGS

The standard marking shows capacitance, DC rated voltage, and polarity.

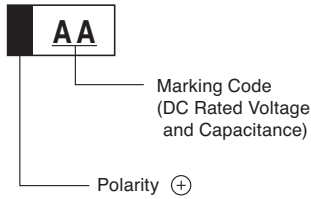
[J case] (ex. 4.7  $\mu$ F / 6.3 V)



[J case Marking Code]

$\mu$ F	U <sub>R</sub> : Rated Voltage					
	2.5 V	4 V	6.3 V	10 V	16 V	
1.0					3	
1.5				V	0	
2.2			r	<	C	
3.3			7	A		
4.7			J	>		
6.8		G	c			
10	e	0	r			
15	e					

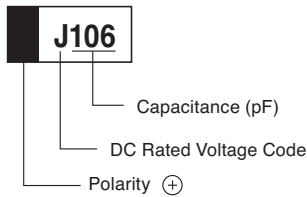
[P case] (ex. 1  $\mu$ F / 10 V)



[P case Marking Code]

$\mu$ F	U <sub>R</sub>							
	2.5 V	4 V	6.3 V	10 V	16 V	20V	25V	
0.47					CS			
0.68					CW			
1				AA	CA		EA	
1.5			JE	AE				
2.2				AJ	CJ	DJ		
3.3		GN		AN	CN			
4.7			JS	AS				
6.8			JW					
10		G $\bar{A}$	J $\bar{A}$	A $\bar{A}$				
15		G $\bar{E}$	J $\bar{E}$					
22	e $\bar{J}$	G $\bar{J}$	J $\bar{J}$					
33	e $\bar{N}$	G $\bar{N}$						
47	e $\bar{S}$	G $\bar{S}$						

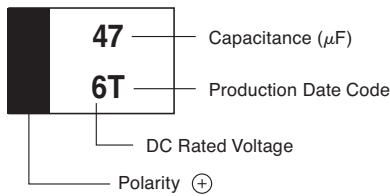
[A2, A cases] (ex. 10  $\mu$ F / 6.3 V)



[P, A2, A, cases DC Rated Voltage code]

Code	e	G	J	A	C	D	E	V
Rated Voltage	2.5 V	4 V	6.3 V	10 V	16 V	20 V	25 V	35V

[B3, B2 cases] (ex. 47  $\mu$ F / 6.3 V)

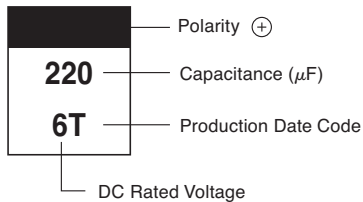


[B3, B2, C2, C, V, D cases Production date code]

y \ M	Jan.	Feb.	Mar.	Apr.	May.	Jun.	Jul.	Aug.	Sep.	Oct.	Nov.	Dec.
2011	a	b	c	d	e	f	g	h	j	k	l	m
2012	n	p	q	r	s	t	u	v	w	x	y	z
2013	A	B	C	D	E	F	G	H	J	K	L	M
2014	N	P	Q	R	S	T	U	V	W	X	Y	Z

NOTE: Production date code will resume beginning in 2015.

[C2, C, V, D cases] (ex. 220  $\mu$ F / 6.3 V)



● All specifications in this catalog and production status of products are subject to change without notice. Prior to the purchase, please contact NEC TOKIN for updated product data.  
 ● Please request for a specification sheet for detailed product data prior to the purchase.  
 ● Before using the product in this catalog, please read "Precautions" and other safety precautions listed in the printed version catalog.

## ■ PERFORMANCE CHARACTERISTICS

Test Conditions : Conform to IEC 60384-1

ITEM		PERFORMANCE							TEST CONDITION	
Operating temperature		-55°C to +125°C							Derated voltage at 85°C at more	
Rated voltage (V.dc)		2.5V	4V	6.3V	10V	16V	20V	25V	35V	at 85°C
Derated voltage (V.dc)		1.6V	2.5V	4V	6.3V	10V	13V	16V	22V	at 125°C
Surge voltage (V.dc)		3.3V	5.2V	8V	13V	20V	26V	33V	46V	at 85°C
Capacitance		0.47 μF to 680 μF							at 120 Hz	
Capacitance tolerance		±20% or ±10% (P,J case: ±20%)								
DC Leakage Current (L.C)		0.01C · V(μA) or 0.5 μA, whichever is greater							Voltage: Rated voltage for 5min.	
Dissipation Factor		Refer to Standard Ratings							at 120 Hz	
Equivalent Series Resistance		Refer to Standard Ratings							at 100 kHz	
		Capacitance change	DF(%)			L.C				
Surge voltage test		Refer to Standard Ratings		Lower than initial specification		Lower than initial specification		Temperature : 85±2°C Applied voltage : Surge voltage Series resistance : 33 ohm Duration of surge : 30±5 sec Time between surge : 5.5min. Number of cycle : 1000		
Characteristic at high and low temperature	-55°C	Not to exceed -20% (P, J case) or -12%		Refer to Standard Ratings		-----		Step 1: 25±2°C Step 2: -55.0°C Step 3: 25±2°C Step 4: 125.0°C		
	+85°C	Not to exceed +20% (P, J case) or +12%		Lower than initial specification		0.1C · V(μA) or 5μA, which ever is greater				
	+125°C	Not to exceed +20% (P, J case) or +15%		Refer to Standard Ratings		0.125C · V(μA) or 6.25μA, which ever is greater				
Rapid change of temperature		Refer to Standard Ratings		Lower than initial specification		Lower than initial specification		Parts shall be temperature cycled over a temperature range of -55 to +125°C, five times continuously as follow. Step 1: -55.0°C, 30±3min. Step 2: room temp, 10 to 15min. Step 3: 125.0°C, 30±3min. Step 4: room temp, 10 to 15min.		
Resistance to Soldering heat		Refer to Standard Ratings		Lower than initial specification		Lower than initial specification		solder dip : 260°C, 5sec solder reflow : 260°C, 10sec		
Damp heat		Refer to Standard Ratings		Lower than 1.5 times initial specification		Lower than initial specification		at 40°C at 90 to 95% RH 500 hour		
Endurance		Refer to Standard Ratings		Lower than initial specification		Lower than 2 times initial specification (P, J case) or 1.25 times initial specification		at 85°C: Rated voltage at 125°C: Derated voltage 2000 hour		
Failure Rate		λ <sub>0</sub> =1% / 1000 hour							at 85°C: Rated voltage at 125°C: Derated voltage 2000 hour	
Terminal Strength		Visual: There shall be no evidence of mechanical damage							Strength : 4.9N Time : 10±0.5sec. (two directions)	
Others		Conform to IEC60384-1							Conform to IEC60384-1	

Manganese dioxide type

Reference : Derated voltage (85 to 125°C)

$$[U_T] = [U_R] - \frac{[U_R] - [U_C]}{40} (T-85)$$

[U<sub>T</sub>] : Derated voltage at operating temperature[U<sub>R</sub>] : Rated voltage[U<sub>C</sub>] : Derated voltage at 125°C

T : Operating temperature



- All specifications in this catalog and production status of products are subject to change without notice. Prior to the purchase, please contact NEC TOKIN for updated product data.
- Please request for a specification sheet for detailed product data prior to the purchase.
- Before using the product in this catalog, please read "Precautions" and other safety precautions listed in the printed version catalog.

■ STANDARD RATINGS

Rated Voltage (V)	Capacitance (μF)	Case Code	Part Number (Bulk)	Leakage Current (μA) Max	DF (%) Max	ESR (Ω) Max	DF (%) Max		Capacitance Change	
							-55°C	+125°C	at Surge Voltage at Damp Heat at Resistance to Soldering Heat	at Endurance
2.5	10	J	ESVJ0E106M	0.5	20	6.5	30	30	±20%	±20%
	15	J	ESVJ0E156M	0.5	20	8	30	30	±20%	±20%
	22	P	ESVP0E226M	0.5	20	4	30	30	±20%	±20%
	22	A2	ESVA20E226M	0.5	12	3	20	14	±12%	±12%
	33	A2	ESVA20E336M	0.8	12	4	22	14	±12%	±12%
	33	P	ESVP0E336M	0.8	20	4	30	30	±20%	±20%
	47	P	ESVP0E476M	1.1	30	6	60	40	±20%	±20%
	47	A2	ESVA20E476M	1.1	12	4.5	22	14	±12%	±12%
	47	A	ESVA0E476M	1.1	12	4.5	22	16	±12%	±12%
	68	A	ESVA0E686M	1.7	18	4.5	34	20	±12%	±12%
	100	A	ESVA0E107M	2.5	30	2	60	40	±20%	±20%
	100	B3	ESVB30E107M	2.5	18	1.3	34	20	±15%	±15%
	100	B2	ESVB20E107M	2.5	8	1	14	10	±12%	±12%
	150	A	ESVA0E157M	3.7	30	2	60	40	±20%	±20%
	150	B3	ESVB30E157M	3.7	20	1	40	30	±15%	±15%
	150	C2	ESVC20E157M	3.7	12	0.8	26	18	±12%	±12%
	220	B3	ESVB30E227M	5.5	30	1	60	40	±15%	±15%
	220	B2	ESVB20E227M	5.5	18	0.6	34	20	±12%	±12%
	220	C2	ESVC20E227M	5.5	12	0.8	26	18	±12%	±12%
	330	B3	ESVB30E337M	8.2	30	1	60	40	±15%	±15%
	330	B2	ESVB20E337M	8.2	25	0.6	50	30	±12%	±20%
	330	C	ESVC0E337M	8.2	16	0.3	34	18	±12%	±12%
	470	B2	ESVB20E477M	11.7	35	0.6	70	50	±20%	±20%
	470	C	ESVC0E477M	11.7	18	1.5	34	20	±12%	±12%
470	D	ESVD0E477M	11.7	14	0.5	18	16	±12%	±12%	
4	3.3	P	ESVPOG335M	0.5	20	20	30	30	±20%	±20%
	6.8	J	ESVJ0G685M	0.5	20	7.5	30	30	±20%	±20%
	10	J	ESVJ0G106M	0.5	20	6.5	30	30	±20%	±20%
	10	P	ESVP0G106M	0.5	20	6	30	30	±20%	±20%
	15	P	ESVP0G156M	0.6	20	5	30	30	±20%	±20%
	22	P	ESVP0G226M	0.8	20	4	30	30	±20%	±20%
	22	A2	ESVA20G226M	0.8	12	2.8	22	16	±12%	±12%
	22	A	ESVA0G226M	0.8	8	2.5	12	10	±12%	±12%
	33	P	ESVP0G336M	1.3	20	4	30	30	±20%	±20%
	33	A2	ESVA20G336M	1.3	8	4.5	14	10	±12%	±12%
	33	A	ESVA0G336M	1.3	10	3	14	12	±12%	±12%
	47	P	ESVP0G476M	1.8	30	3	60	40	±20%	±20%
	47	A2	ESVA20G476M	1.8	15	4.5	30	20	±12%	±12%
	47	A	ESVA0G476M	1.8	12	2.5	22	14	±12%	±12%
	47	B3	ESVB30G476M	1.8	12	1.7	18	15	±15%	±15%
	68	A	ESVA0G686M	2.7	12	2.5	22	14	±12%	±12%
	68	B3	ESVB30G686M	2.7	15	1.5	28	17	±15%	±15%
	100	A2	ESVA20G107M	4	30	2	60	40	±20%	±20%
	100	A	ESVA0G107M	4	30	2	60	40	±20%	±20%
	100	B3	ESVB30G107M	4	20	1.3	38	22	±15%	±15%
	100	B2	ESVB20G107M	4	12	0.8	22	14	±12%	±12%
	100	C2	ESVC20G107M	4	10	0.8	18	12	±12%	±12%
	150	B2	ESVB20G157M	6	18	0.7	34	20	±12%	±12%
	150	C2	ESVC20G157M	6	10	0.8	18	12	±12%	±12%
220	B2	ESVB20G227M	8.8	18	0.5	34	20	±12%	±12%	
220	C	ESVC0G227M	8.8	12	0.6	22	14	±12%	±12%	
330	C	ESVC0G337M	13.2	14	0.2	26	16	±12%	±12%	
330	V	ESVV0G337M	13.2	12	0.5	18	14	±12%	±12%	
470	D	ESVD0G477M	18.8	16	0.3	30	18	±12%	±12%	
680	D	ESVD0G687M	27.2	24	0.3	46	26	±12%	±12%	
6.3	1.5	P	ESVPOJ155M	0.5	10	25	15	15	±20%	±20%
	2.2	J	ESVJ0J225M	0.5	20	17.5	30	30	±20%	±20%
	3.3	J	ESVJ0J335M	0.5	20	13.5	30	30	±20%	±20%
	4.7	J	ESVJ0J475M	0.5	20	8.5	30	30	±20%	±20%
	4.7	P	ESVP0J475M	0.5	20	10	30	30	±20%	±20%
	4.7	A	ESVA0J475M	0.5	8	5.5	12	10	± 5%	±10%
	6.8	J	ESVJ0J685M	0.5	20	7	30	30	±20%	±20%
	6.8	P	ESVPOJ685M	0.5	20	7	30	30	±20%	±20%



●All specifications in this catalog and production status of products are subject to change without notice. Prior to the purchase, please contact NEC TOKIN for updated product data.  
 ●Please request for a specification sheet for detailed product data prior to the purchase.  
 ●Before using the product in this catalog, please read "Precautions" and other safety precautions listed in the printed version catalog.

Rated Voltage (V)	Capacitance (μF)	Case Code	Part Number (Bulk)	Leakage Current (μA) Max	DF (%) Max	ESR (Ω) Max	DF (%) Max		Capacitance Change		
							-55°C	+125°C	at Surge Voltage at Damp Heat at Resistance to Soldering Heat	at Endurance	
6.3	6.8	A2	ESVA20J685M	0.5	8	6.5	12	10	±12%	±12%	
	10	J	ESVJ0J106M	0.6	20	8	38	22	±20%	±20%	
	10	P	ESVPOJ106M	0.6	20	6	30	30	±20%	±20%	
	10	A2	ESVA20J106M	0.6	8	4.5	12	10	±12%	±12%	
	10	A	ESVA0J106M	0.6	8	3.2	12	10	±12%	±12%	
	15	P	ESVPOJ156M	0.9	20	5	30	30	±20%	±20%	
	15	A2	ESVA20J156M	0.9	12	4	22	14	±12%	±12%	
	15	A	ESVA0J156M	0.9	8	3	12	10	±12%	±12%	
	22	P	ESVPOJ226M	1.3	20	4	38	22	±20%	±20%	
	22	A2	ESVA20J226M	1.3	12	2.8	22	14	±12%	±12%	
	22	A	ESVA0J226M	1.3	10	3	14	12	±12%	±12%	
	22	B3	ESVB30J226M	1.3	8	2	12	10	±15%	±15%	
	22	B2	ESVB20J226M	1.3	8	1.6	12	10	± 5%	±10%	
	33	A2	ESVA20J336M	2	18	3	34	20	±20%	±20%	
	33	A	ESVA0J336M	2	12	2.5	22	14	±12%	±12%	
	33	B3	ESVB30J336M	2	12	1.7	18	15	±15%	±15%	
	47	A	ESVA0J476M	2.9	12	2	22	14	±12%	±12%	
	47	B3	ESVB30J476M	2.9	12	1.7	18	15	±15%	±15%	
	47	B2	ESVB20J476M	2.9	8	1.3	12	10	± 5%	±10%	
	47	C	ESVCOJ476M	2.9	8	0.9	12	10	± 5%	±10%	
	68	A	ESVA0J686M	4.2	30	2	60	40	±12%	±12%	
	68	B3	ESVB30J686M	4.2	20	2	38	22	±15%	±15%	
	68	B2	ESVB20J686M	4.2	10	1	18	12	±12%	±12%	
	68	C2	ESVC20J686M	4.2	10	0.8	14	12	±12%	±12%	
	100	A	ESVA0J107M	6.3	25	2	60	40	±20%	±20%	
	100	B3	ESVB30J107M	6.3	20	1.3	38	22	±15%	±15%	
	100	B2	ESVB20J107M	6.3	12	0.9	22	14	±12%	±12%	
	100	C2	ESVC20J107M	6.3	10	0.8	18	12	±12%	±12%	
	100	C	ESVCOJ107M	6.3	10	0.6	14	12	±12%	±12%	
	150	B2	ESVB20J157M	9.4	12	1	22	14	±12%	±12%	
	150	C	ESVCOJ157M	9.4	10	0.6	18	12	±12%	±12%	
	220	B2	ESVB20J227M	13.8	18	1	34	20	±12%	±12%	
	220	C	ESVCOJ227M	13.8	14	1.2	26	16	±12%	±12%	
	220	V	ESVVOJ227M	13.8	12	0.5	18	14	±12%	±12%	
	220	D	ESVD0J227M	13.8	12	0.5	18	14	±12%	±12%	
	330	V	ESVVOJ337M	20.7	14	0.5	26	16	±5%	±10%	
	330	D	ESVD0J337M	20.7	14	0.5	26	16	±12%	±12%	
	470	D	ESVD0J477M	29.6	20	0.3	38	22	±20%	±20%	
	10	1	P	ESVP1A105M	0.5	10	25	15	15	±20%	±20%
		1.5	J	ESVJ1A155M	0.5	20	25.5	30	30	±20%	±20%
1.5		P	ESVP1A155M	0.5	20	25	30	30	±20%	±20%	
2.2		J	ESVJ1A225M	0.5	20	17.5	30	30	±20%	±20%	
2.2		P	ESVP1A225M	0.5	20	19	30	30	±20%	±20%	
3.3		J	ESVJ1A335M	0.5	20	25	30	30	±20%	±20%	
3.3		P	ESVP1A335M	0.5	20	13	30	30	±20%	±20%	
3.3		A2	ESVA21A335M	0.5	8	8	12	10	±12%	±12%	
4.7		J	ESVJ1A475M	0.5	20	10	30	30	±20%	±20%	
4.7		P	ESVP1A475M	0.5	20	6	30	30	±20%	±20%	
4.7		A2	ESVA21A475M	0.5	8	8	12	10	±12%	±12%	
4.7		A	ESVA1A475M	0.5	8	4.5	12	10	±12%	±12%	
6.8		A2	ESVA21A685M	0.6	8	8	12	10	±12%	±12%	
6.8		A	ESVA1A685M	0.6	8	4.5	12	10	±12%	±12%	
10		P	ESVP1A106M	1	20	6	30	30	±20%	±20%	
10		A2	ESVA21A106M	1	8	8	12	10	±12%	±12%	
10		A	ESVA1A106M	1	8	3.2	12	10	±12%	±12%	
10		B2	ESVB21A106M	1	8	2.4	12	10	± 5%	±10%	
15		A2	ESVA21A156M	1.5	12	3	22	14	±12%	±12%	
15		B3	ESVB31A156M	1.5	8	2.7	12	10	±15%	±15%	
22		A	ESVA1A226M	2.2	12	2.5	22	14	±12%	±12%	
22		B3	ESVB31A226M	2.2	8	1.9	12	10	±15%	±15%	
22		B2	ESVB21A226M	2.2	8	1.4	12	10	± 5%	±10%	
33		B3	ESVB31A336M	3.3	12	1.7	18	15	±15%	±15%	
33	B2	ESVB21A336M	3.3	8	1.4	12	10	± 5%	±10%		

Manganese dioxide type



- All specifications in this catalog and production status of products are subject to change without notice. Prior to the purchase, please contact NEC TOKIN for updated product data.
- Please request for a specification sheet for detailed product data prior to the purchase.
- Before using the product in this catalog, please read "Precautions" and other safety precautions listed in the printed version catalog.

Rated Voltage (V)	Capacitance (μF)	Case Code	Part Number (Bulk)	Leakage Current (μA) Max	DF (%) Max	ESR (Ω) Max	DF (%) Max		Capacitance Change	
							-55°C	+125°C	at Surge Voltage at Damp Heat at Resistance to Soldering Heat	at Endurance
10	47	A	ESVA1A476M	4.7	20	5	36	24	±20%	±20%
	47	B2	ESVB21A476M	4.7	8	1	12	10	±12%	±12%
	47	C2	ESVC21A476M	4.7	8	1	14	10	±12%	±12%
	47	C	ESVC1A476M	4.7	8	0.9	12	10	± 5%	±10%
	68	B2	ESVB21A686M	6.8	12	0.9	14	14	±12%	±12%
	68	C2	ESVC21A686M	6.8	10	1	18	14	±12%	±12%
	68	C	ESVC1A686M	6.8	8	0.7	12	10	±12%	±12%
	100	B2	ESVB21A107M	10	16	1.4	20	20	±20%	±30%
	100	C2	ESVC21A107M	10	10	0.8	18	14	±12%	±12%
	100	C	ESVC1A107M	10	10	0.5	18	12	±12%	±12%
	100	V	ESVV1A107M	10	8	0.5	18	10	±12%	±12%
	100	D	ESVD1A107M	10	8	0.6	18	10	± 5%	±10%
	150	V	ESVV1A157M	15	8	0.5	18	10	±12%	±12%
	150	D	ESVD1A157M	15	10	0.6	18	12	±12%	±12%
220	D	ESVD1A227M	22	12	0.6	22	14	±12%	±12%	
16	0.47	P	ESVP1C474M	0.5	10	35	15	15	±20%	±20%
	0.68	P	ESVP1C684M	0.5	10	25	15	15	±20%	±20%
	1	J	ESVJ1C105M	0.5	10	25.5	30	15	±20%	±20%
	1	P	ESVP1C105M	0.5	10	20	15	15	±20%	±20%
	1.5	J	ESVJ1C155M	0.5	10	25	20	15	±20%	±20%
	1.5	A	ESVA1C155M	0.5	4	6	8	6	± 5%	±10%
	2.2	J	ESVJ1C225M	6.8	20	20	30	30	±20%	±20%
	2.2	P	ESVP1C225M	0.5	10	19	15	15	±20%	±20%
	2.2	A2	ESVA21C225M	0.5	6	10	10	8	±12%	±12%
	2.2	A	ESVA1C225M	0.5	6	6	10	8	± 5%	±10%
	3.3	P	ESVP1C335M	0.5	10	8	15	15	±20%	±20%
	3.3	A2	ESVA21C335M	0.5	8	7	14	10	±12%	±12%
	3.3	A	ESVA1C335M	0.5	6	4.5	10	8	±12%	±12%
	4.7	A2	ESVA21C475M	0.7	8	4.5	14	10	±12%	±12%
	4.7	A	ESVA1C475M	0.7	6	4	10	8	±12%	±12%
	6.8	A	ESVA1C685M	1	6	4	10	8	±12%	±12%
	6.8	B3	ESVB31C685M	1	6	4.1	10	8	±15%	±15%
	10	A	ESVA1C106M	1.6	8	3.2	12	10	±12%	±12%
	10	B3	ESVB31C106M	1.6	8	3.5	14	10	±15%	±15%
	10	B2	ESVB21C106M	1.6	6	2	10	8	± 5%	±10%
	15	A	ESVA1C156M	2.4	12	5	22	14	±12%	±12%
	15	B2	ESVB21C156M	2.4	6	2	10	8	± 5%	±10%
	22	B3	ESVB31C226M	3.5	10	2.2	18	12	±15%	±15%
	22	B2	ESVB21C226M	3.5	6	2.2	10	8	± 5%	±10%
	22	C	ESVC1C226M	3.5	6	1.5	10	8	± 5%	±10%
	33	B2	ESVB21C336M	5.2	8	1.4	14	10	±5%	±10%
	33	C2	ESVC21C336M	5.2	6	1.4	10	8	±12%	±12%
	33	C	ESVC1C336M	5.2	6	1.1	10	8	± 5%	±10%
	47	C	ESVC1C476M	7.5	6	0.8	10	8	±12%	±12%
	47	D	ESVD1C476M	7.5	6	0.7	10	8	± 5%	±10%
	68	C	ESVC1C686M	10.8	6	0.7	16	10	±12%	±12%
	68	D	ESVD1C686M	10.8	6	0.7	10	8	± 5%	±10%
	100	D	ESVD1C107M	16	8	0.5	18	10	±12%	±12%
	20	0.47	A2	ESVA21D474M	0.5	6	25	10	8	± 5%
0.68		A2	ESVA21D684M	0.5	6	15	10	8	± 5%	±10%
1		A2	ESVA21D105M	0.5	6	12	10	8	±12%	±12%
1.5		A2	ESVA21D155M	0.5	6	7.4	10	8	±12%	±12%
2.2		P	ESVP1D225M	0.5	10	8	15	15	±20%	±20%
2.2		A2	ESVA21D225M	0.5	6	7	10	8	±12%	±12%
2.2		A	ESVA1D225M	0.5	6	6	10	8	±12%	±12%
3.3		A2	ESVA21D335M	0.6	8	5	14	10	±12%	±12%
3.3		A	ESVA1D335M	0.6	6	5	10	8	±12%	±12%
3.3		B3	ESVB31D335M	0.6	6	3.9	10	8	±15%	±15%
4.7		A2	ESVA21D475M	0.9	15	5	30	20	±12%	±12%
4.7		A	ESVA1D475M	0.9	6	5	10	8	±12%	±12%
4.7		B3	ESVB31D475M	0.9	6	3	10	8	±15%	±15%
4.7		B2	ESVB21D475M	0.9	6	3	10	8	± 5%	±10%
6.8	B3	ESVB31D685M	1.3	6	3	10	8	±15%	±15%	



- All specifications in this catalog and production status of products are subject to change without notice. Prior to the purchase, please contact NEC TOKIN for updated product data.
- Please request for a specification sheet for detailed product data prior to the purchase.
- Before using the product in this catalog, please read "Precautions" and other safety precautions listed in the printed version catalog.

Rated Voltage (V)	Capacitance (μF)	Case Code	Part Number (Bulk)	Leakage Current (μA) Max	DF (%) Max	ESR (Ω) Max	DF (%) Max		Capacitance Change	
							-55°C	+125°C	at Surge Voltage at Damp Heat at Resistance to Soldering Heat	at Endurance
20	6.8	B2	ESVB21D685M	1.3	6	2.8	10	8	± 5%	±10%
	10	B2	ESVB21D106M	2	6	2.5	10	8	± 5%	±10%
	15	C	ESVC1D156M	3	6	1.7	10	8	± 5%	±10%
	22	B2	ESVB21D226M	4.4	6	3	10	8	±20%	±20%
	22	C2	ESVC21D226M	4.4	6	1.4	10	8	±12%	±12%
	22	C	ESVC1D226M	4.4	6	1.4	10	8	±12%	±12%
	22	D	ESVD1D226M	4.4	6	0.8	10	8	± 5%	±10%
	33	D	ESVD1D336M	6.6	6	0.8	10	8	± 5%	±10%
	47	C	ESVC1D476M	9.4	6	1	10	8	±12%	±12%
25	47	D	ESVD1D476M	9.4	6	0.7	10	8	± 5%	±10%
	0.47	A	ESVA1E474M	0.5	4	13	8	6	± 5%	±10%
	0.68	A	ESVA1E684M	0.5	6	9	10	8	± 5%	±10%
	1	P	ESVP1E105M	0.5	6	8	10	8	±20%	±20%
	1	A2	ESVA21E105M	0.5	6	13	10	8	±12%	±12%
	1	A	ESVA1E105M	0.5	6	8	10	8	± 5%	±10%
	2.2	A	ESVA1E225M	0.5	6	7	10	8	±12%	±12%
	3.3	A	ESVA1E335M	0.8	6	7	10	8	±12%	±12%
	4.7	B3	ESVB31E475M	1.1	6	3	10	8	±15%	±15%
	4.7	B2	ESVB21E475M	1.1	6	3	10	8	± 5%	±10%
	6.8	B2	ESVB21E685M	1.7	6	2.5	10	8	± 5%	±10%
	10	C2	ESVC21E106M	2.5	6	2	10	8	±12%	±12%
	10	C	ESVC1E106M	2.5	6	1.5	10	8	± 5%	±10%
	15	C	ESVC1E156M	3.7	6	1.5	10	8	±12%	±12%
22	D	ESVD1E226M	5.5	6	0.8	10	8	± 5%	±10%	
33	D	ESVD1E336M	8.2	6	0.7	10	8	± 5%	±10%	
35	0.47	A	ESVA1V474M	0.5	6	12	10	8	± 5%	±10%
	0.68	A	ESVA1V684M	0.5	6	8	10	8	± 5%	±10%
	1	A2	ESVA21V105M	0.5	6	13	10	8	±12%	±12%
	1	A	ESVA1V105M	0.5	6	7	10	8	±12%	±12%
	1.5	A	ESVA1V155M	0.5	6	7	10	8	±12%	±12%
	2.2	A	ESVA1V225M	0.7	6	5	10	8	±12%	±12%
	2.2	B2	ESVB21V225M	0.7	6	4	10	8	± 5%	±10%
	3.3	B3	ESVB31V335M	1.1	6	3	10	8	±15%	±15%
	3.3	B2	ESVB21V335M	1.1	6	3.5	10	8	± 5%	±10%
	4.7	C	ESVC1V475M	1.6	6	2.2	10	8	± 5%	±10%
	6.8	C	ESVC1V685M	2.3	6	1.9	10	8	± 5%	±10%
	10	C	ESVC1V106M	3.5	6	1.5	10	8	± 5%	±10%
	10	D	ESVD1V106M	3.5	6	1	10	8	± 5%	±10%
	15	D	ESVD1V156M	5.2	6	0.9	10	8	± 5%	±10%

Manganese dioxide type



- All specifications in this catalog and production status of products are subject to change without notice. Prior to the purchase, please contact NEC TOKIN for updated product data.
- Please request for a specification sheet for detailed product data prior to the purchase.
- Before using the product in this catalog, please read "Precautions" and other safety precautions listed in the printed version catalog.