

actual size

Quartz Crystal · JXE75

Surface Mount Quartz Crystal

Features

■ RoHS compliant

■ ceramic/ceramic package

General Data

| type | JXE75 |
|------------------------------|----------------------------------------------|
| frequency range | 6.00 ~ 60.0 MHz (fund. AT-cut) |
| | 28.00 ~ 125.0 MHz (3rd OT AT-cut) |
| | 73.32 ~ 170.0 MHz (5th OT AT-cut) on request |
| | 25.00 ~ 50.0 MHz (fund. BT-cut) |
| frequency tolerance at 25 °C | ± 20 ppm ~ ± 50 ppm |
| load capacitance C_L | 12 pF ~ 32 pF or series |
| shunt capacitance C_0 | < 7 pF |
| storage temperature | -40 °C ~ +125 °C |
| drive level max. | 100 µW |
| aging | < ±5 ppm first year |

ESR (series resistance Rs)

| frequency in MHz | vibration mode | ESR max. in Ω | ESR typ. in Ω |
|------------------|----------------|---------------|---------------|
| 6.00 ~ 7.999 | fund. - AT | 80 | 40 |
| 8.00 ~ 9.999 | fund. - AT | 60 | 30 |
| 10.0 ~ 15.999 | fund. - AT | 50 | 20 |
| 16.0 ~ 60.000 | fund. - AT | 40 | 15 |
| 28.0 ~ 125.00 | 3rd OT - AT | 60 | 35 |
| 73.32 ~ 170.0 | 5th OT - AT | Ω | Ω |
| 25.0 ~ 50.000 | fund. - BT | 50 | 20 |

Frequency Stability vs. Temperature

| | | ± 30 ppm | ± 50 ppm | ± 100 ppm | ± 150 ppm | ± 200 ppm |
|------------------|------|----------|----------|-----------|-----------|-----------|
| -20 °C ~ +70 °C | STD. | ○ | ● | | | |
| -40 °C ~ +85 °C | T1 | | ○ | ● | | |
| -40 °C ~ +105 °C | T2 | | | ○ | ○ | |
| -40 °C ~ +125 °C | T3 | | | ○ | ○ | ○ |

● standard
○ on request

Marking

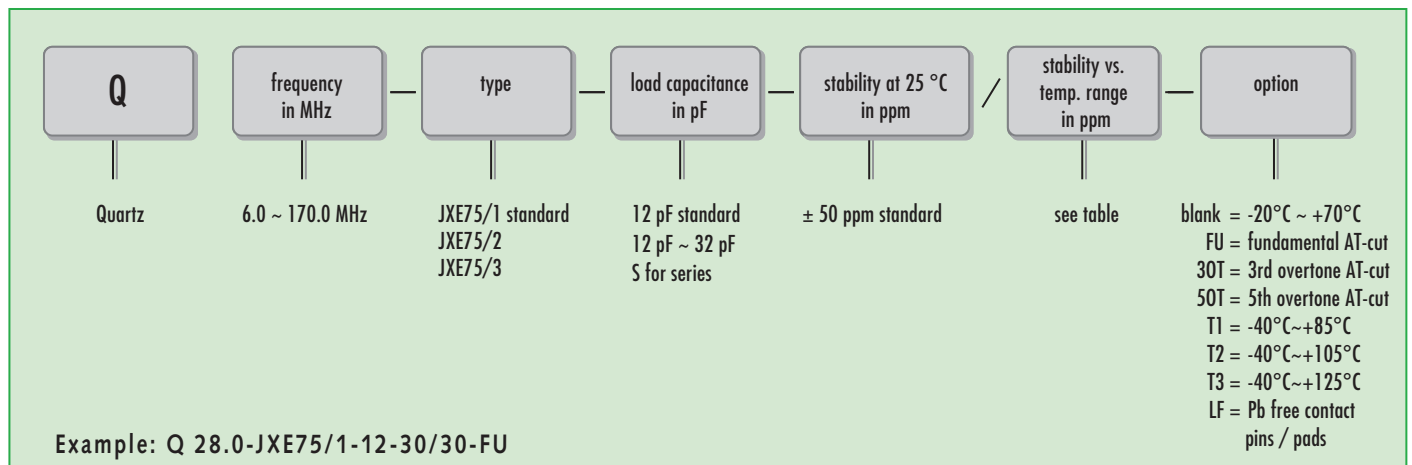
frequency with load capacitance code
company code / date code / internal code

date code: year/month
example: 5A = 2005 January

| Jan. | Febr. | Mar. | Apr. | May | June |
|------|-------|------|------|-----|------|
| A | B | C | D | E | F |

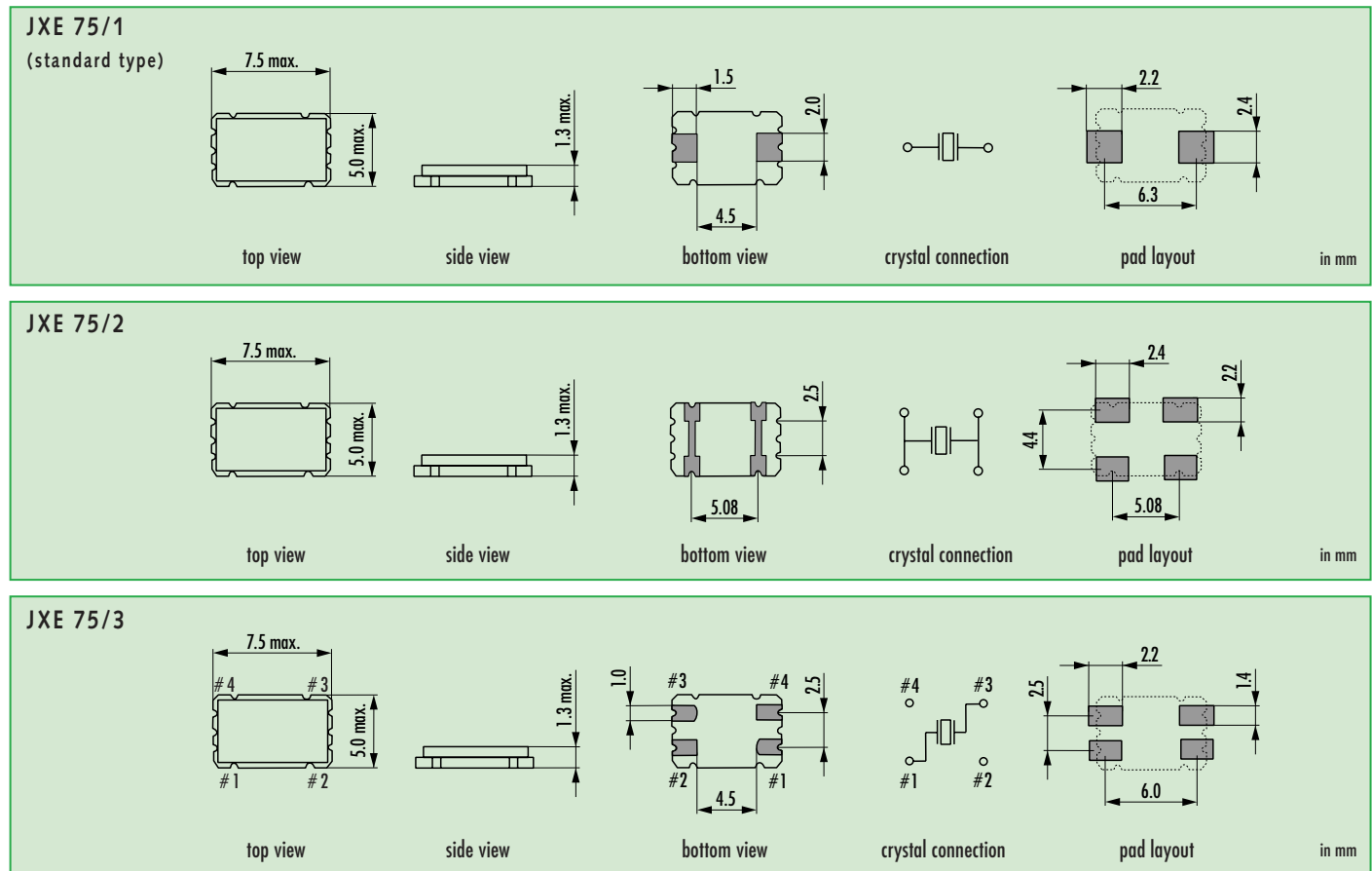
| July | Aug. | Sept. | Oct. | Nov. | Dec. |
|------|------|-------|------|------|------|
| G | H | J | K | L | M |

Order Information

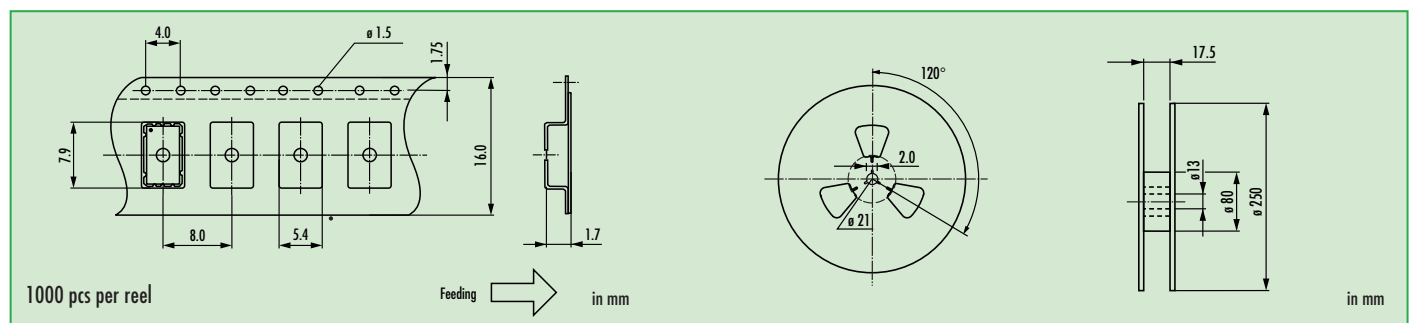


SMQ series · JXE75

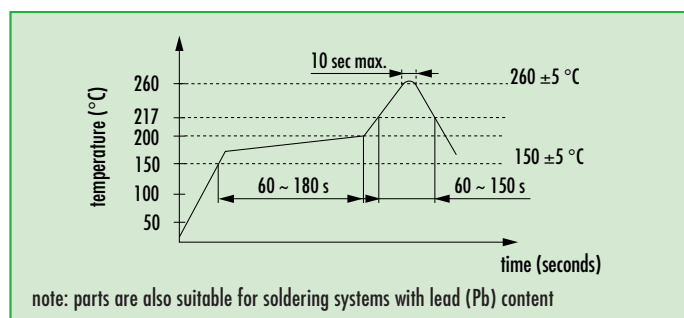
Dimensions



Taping Specification



Reflow Soldering Profile



Load Capacitance Codes

| | | | |
|--------------------------------|----------|----------|-----------|
| 7 pF: m | 12 pF: a | 17 pF: t | 25 pF: r |
| 8 pF: k | 13 pF: v | 18 pF: f | 27 pF: w |
| 9 pF: n | 14 pF: x | 20 pF: c | 30 pF: . |
| 10 pF: h | 15 pF: j | 22 pF: g | 32 pF: e |
| 11 pF: l | 16 pF: b | 24 pF: d | series: s |
| example 8.0 MHz / 12 pF: 8a000 | | | T: 3rd OT |