



Item No. : YAS25S

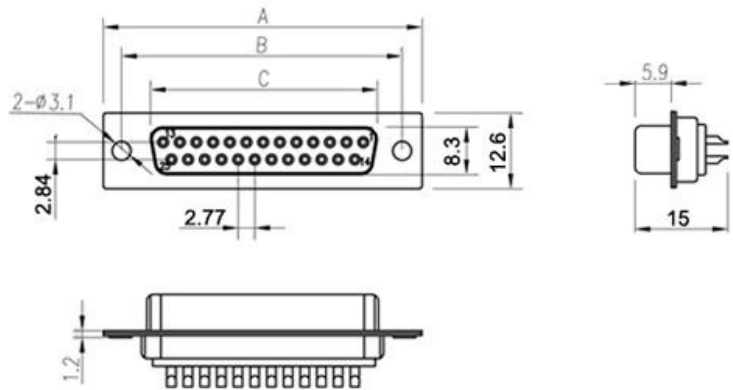
RoHS : RoHS

Description :

D-sub solder normal type 25-socket
Blue insulation

YASxxS
L Pins

Part No.	A	B	C
YAS09S	30.80	25.00	16.30
YAS15S	39.20	33.32	24.70
YAS25S	53.05	47.04	38.38
YAS37S	69.40	63.50	54.80



Specifications

Current rating: 1A Max.
 Contact resistance: 30mΩ Max.
 Insulation resistance: 1000 MΩ Min. at 500VDC
 Dielectric withstanding voltage: 500VAC for 1 minute
 Total mating force: 5.0 Kgf Max.
 Total unmating force: 2.5 Kgf Min.
 Temperature range: -55°C ~ +105°C

Materials

Insulator: P.B.T UL94-V0 rated
 Contact: Brass, t=0.2mm
 Shell: Cold rolled steel, t=0.4mm

Finishes

Contacts: Gold flashed
 Shell: Nickel, tin plated