

15

KLS 2

Jack connectors

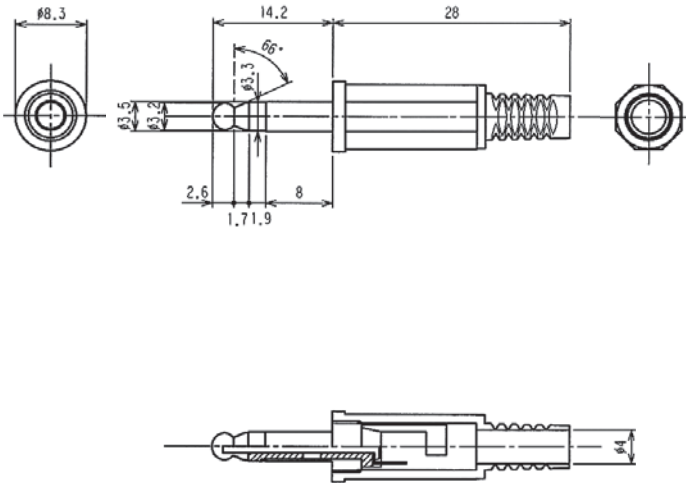


Jack plug acc. to JIS C 6560 JC35P2, 3.5 mm, 2 poles/mono, straight version, ball headed, with bend protection and solder terminals

State: Active

15

KLS 2



Environmental conditions

Temperature range -20 °C/+70 °C

Materials

Insulating body POM/PC
Contact CuZn/steel, nickel-plated
Housing PP

Connectable conductors for solder area

Cable diameter 4 mm

Electrical data (at T_{amb} 20 °C)

Rated current 1 A
Rated voltage 34 V AC/DC
Rated impulse voltage 500 V/60 s
Insulation resistance $\geq 100 \text{ M}\Omega$

Associated products

Counterparts
 ☞ 1502 03 ☞ 1503 06 ☞ 1503 12
 ☞ 1522 02 ☞ 1522 03 ☞ KLK 22

15

KLS 2

Designation	Pole Number	PU (Pieces)	MDQ (Pieces)
KLS 2	2	100	500

Packaging:

in bulk, in a cardboard box or a plastic bag