



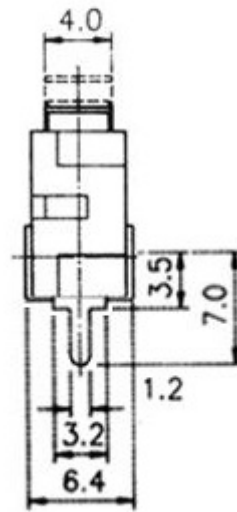
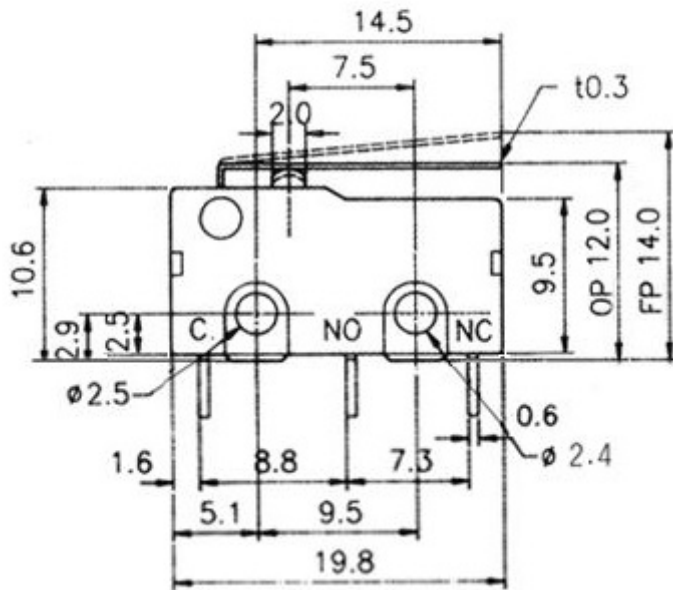
Item No. : B175BP

RoHS : RoHS

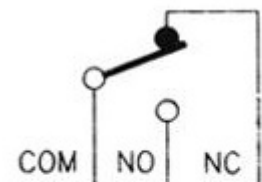
Description :

Mini micro switch (SPDT) on-on 30gf
 125V 3A (250V 3A) W/approval
 PCB terminal

Approval:



SCHEMATIC



Specifications

Rating	3A 125VAC 3A 250VAC
Insulation resistance	>100MΩ 500VDC
Withstand voltage	1000VAC 1 minute
Contact resistance	< 100 mΩ
Soldering temper.	250°C Max 3 sec
Mechanical life	1000000 cycles
Electrical life (UL)	10000 cycles
Ambient temper. used	-25°C to + 85°C
Ambient humidity used	< 85% RH