



## 4-channel analog input; Single-ended

Item No.: 750-455



4-channel analog input; Single-ended

### Marking

RoHS   
Compliant

### Business data

Supplier	WAGO
Item no.	750-455
GTIN / EAN	4045454439606
Content	1
Order amount	1
Customer item number	

### Notes

*Item description: The analog input module processes signals of a standard magnitude 4–20mA. The input signal is electrically isolated and is transmitted with a resolution of 12 bits. The internal system supply powers the module. The input channels of the module have one common ground potential.*

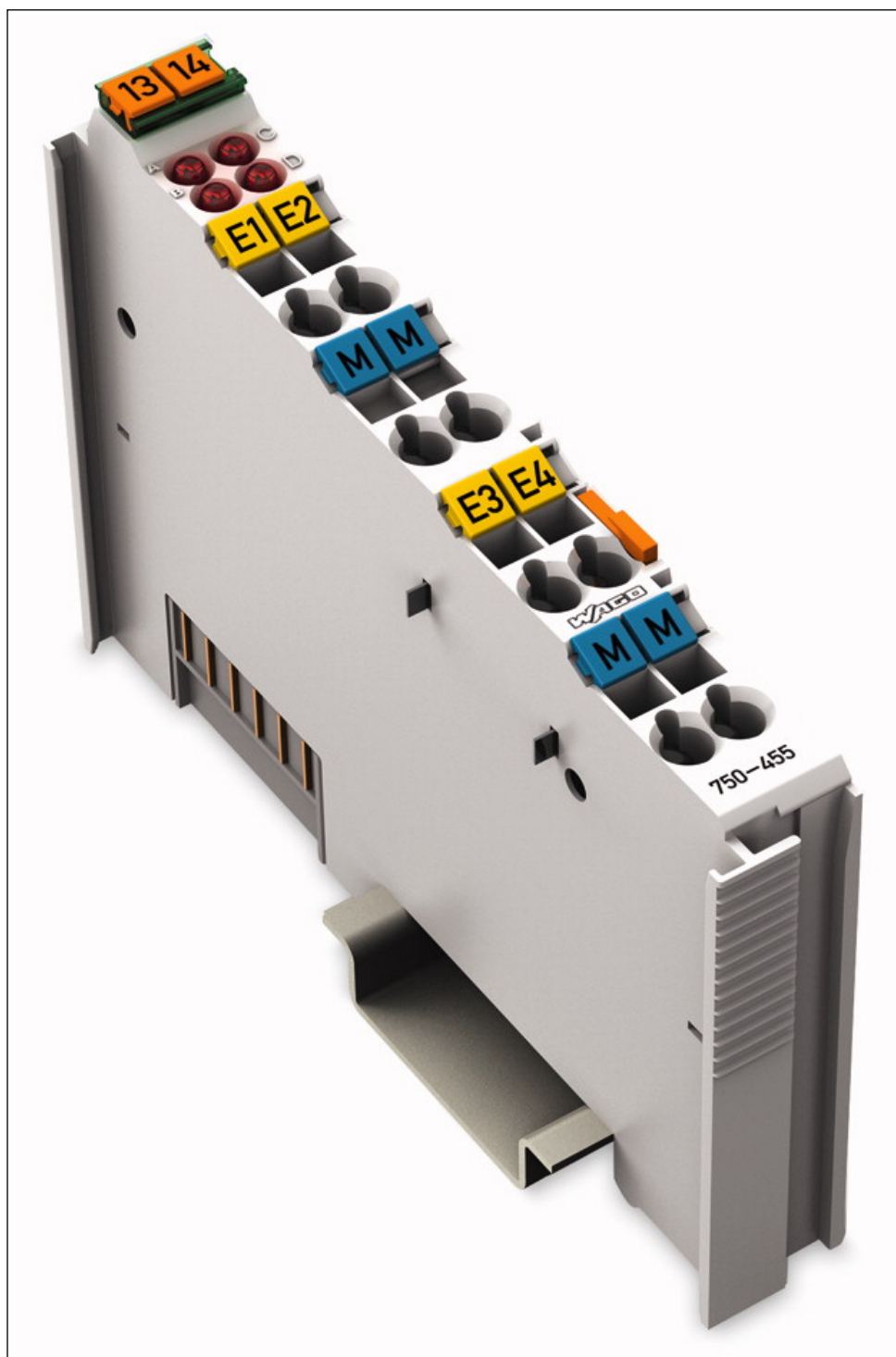
### Technical data

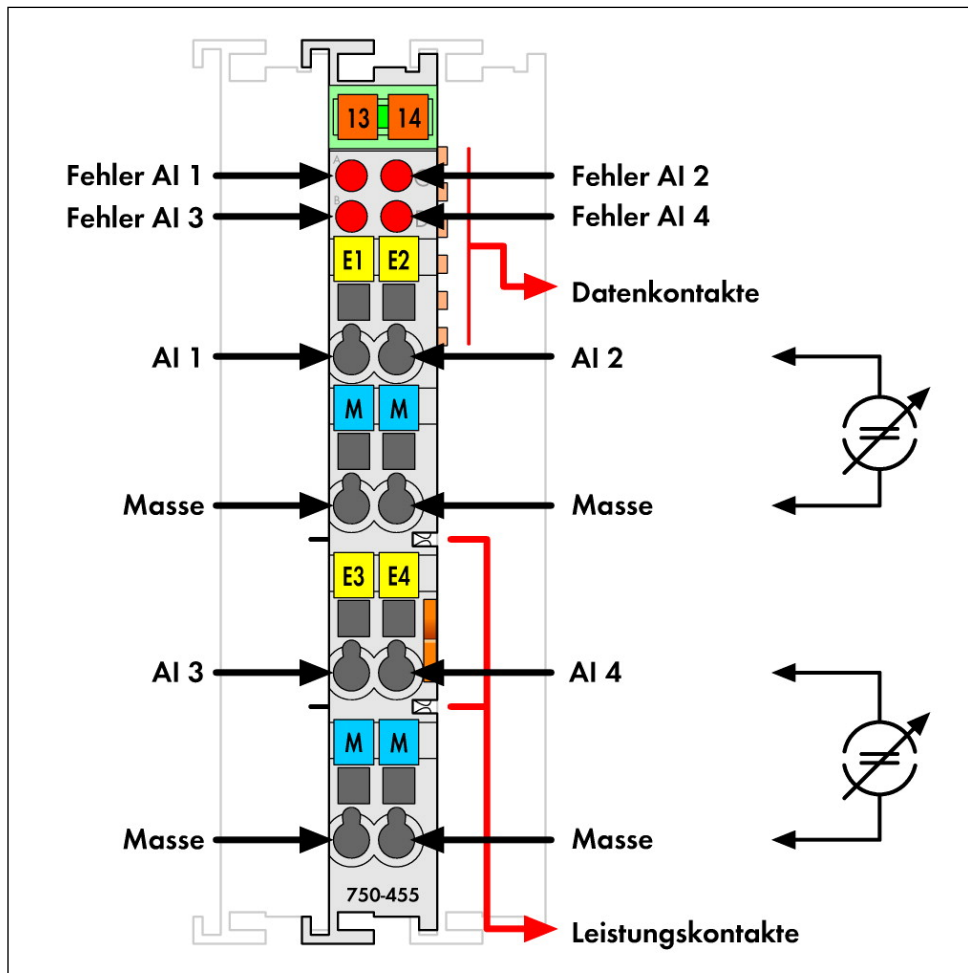
#### Miscellaneous

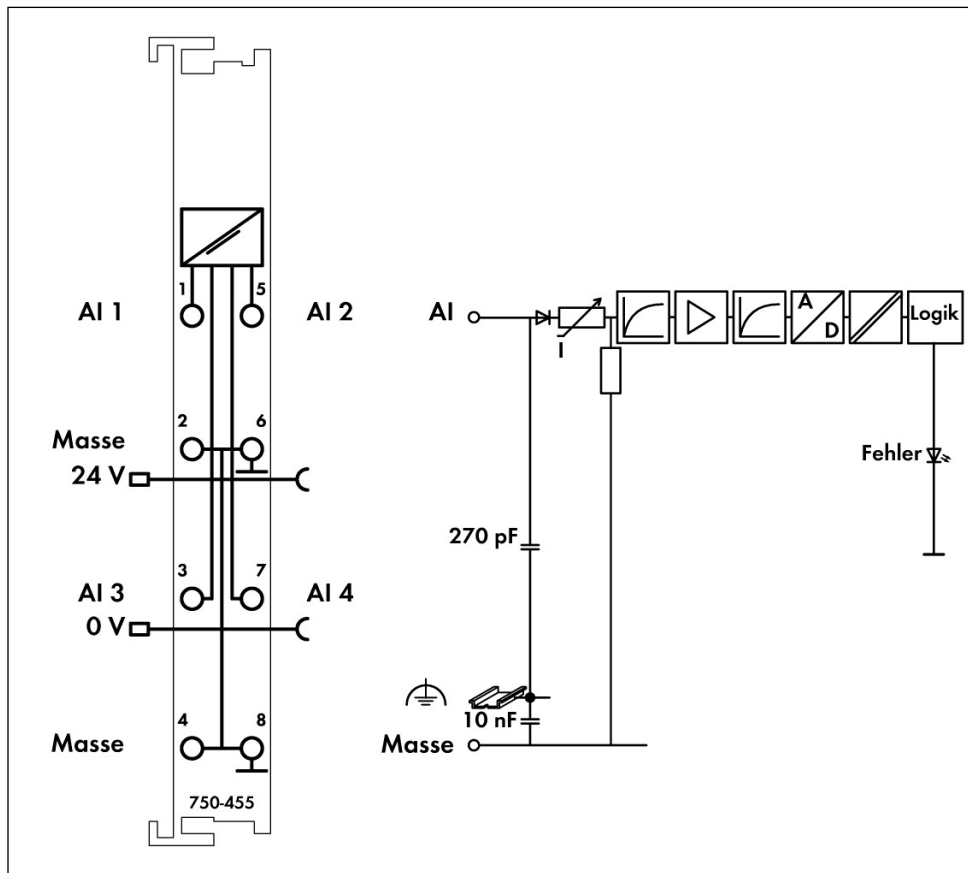
Color	light gray
Conformity marking	CE
Number of inputs	4
Power supply	via system voltage DC/DC

<b>Technical data</b>	
<i>Isolation</i>	500 V system/supply
<i>Current consumption (internal) (3) [mA]</i>	65 [mA]
<i>Input voltage (max.)</i>	32V
<i>Signal current</i>	4 - 20mA
<i>Input resistance</i>	< 100 / 20mA
<i>Resolution</i>	12 bits
<i>Conversion time (typ.) [ms]</i>	10 [ms]
<i>Measuring error (25 °C)</i>	< ± 0.2 % of the full scale value
<i>Temperature coefficient</i>	< ± 0.01 % / K of the full scale value
<i>Bit width</i>	4 x 16-bit data; 4 x 8-bit control/status (optional)
<i>Type of signal</i>	4 ... 20 mA
<i>Degree of protection</i>	IP20
<i>Connection technology</i>	CAGE CLAMP®
<i>Solid conductor</i>	0.08 ... 2.5 mm <sup>2</sup> / 28 ... 14 AWG
<i>Fine-stranded conductor</i>	0.08 ... 2.5 mm <sup>2</sup> / 28 ... 14 AWG
<i>Strip length</i>	8 ... 9 mm / 0.31 ... 0.35 Inch
<i>Fire load [MJ]</i>	1.234 [MJ]
<i>Weight [g]</i>	51.326 [g]
<i>Width</i>	12 mm / 0.472 Inch
<i>Height</i>	69.8 mm / 2.748 Inch
<i>Height from upper-edge of DIN-35 rail</i>	62.6 mm / 2.465 Inch
<i>Depth</i>	100 mm / 3.937 Inch
<i>Storage temperature</i>	-25 °C ... +85 °C
<i>Relative air humidity (no condensation) [%]</i>	95 [%]
<i>Type of mounting</i>	DIN-35 x 15 carrier rail
<i>Operating temperature</i>	0°C ... +55°C
<i>EMC emission of interference</i>	acc. to EN 61000-6-4, marine applications
<i>EMC immunity to interference</i>	acc. to EN 61000-6-2, marine applications
<i>Shock resistance</i>	acc. to IECacc. to IEC 60068-2-27
<i>Vibration resistance</i>	acc. to IECacc. to IEC 60068-2-6

Images & drawings







## Address

WAGO Kontakttechnik GmbH & Co. KG

Hansastr. 27

32423 Minden

Telefon: 0571/887-0

Fax: 0571/887-169

<http://www.wago.com>

© WAGO Kontakttechnik GmbH & Co. KG

Technische Änderungen und Irrtümer vorbehalten.