



PCB terminal block; Push-button; 1.5 mm²; Pin spacing 5 mm; 2-pole; PUSH WIRE®

Item No.: 735-302



PCB terminal block; Push-button; 1.5 mm²; Pin spacing 5 mm; 2-pole; PUSH WIRE®

Marking

RoHS ✓
Compliant

Business data

Supplier	WAGO
Item no.	735-302
GTIN / EAN	4044918792929
Content	1
Order amount	125
Customer item number	

Notes

Item description: Terminal blocks with push-buttons and PUSH WIRE® connection Top-of-unit, push-button actuation and conductor termination save space on the PCB Simple push-in termination for solid conductors Pin center spacing can be maintained in a terminal block assembly

Technical data

Miscellaneous

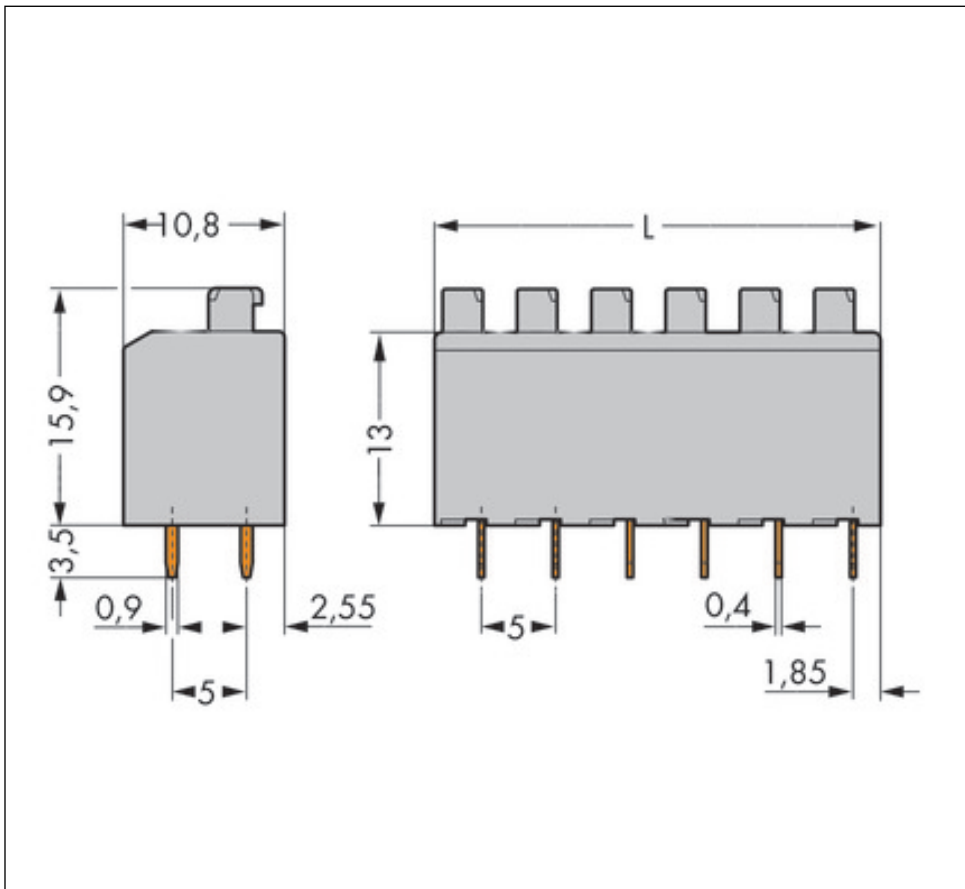
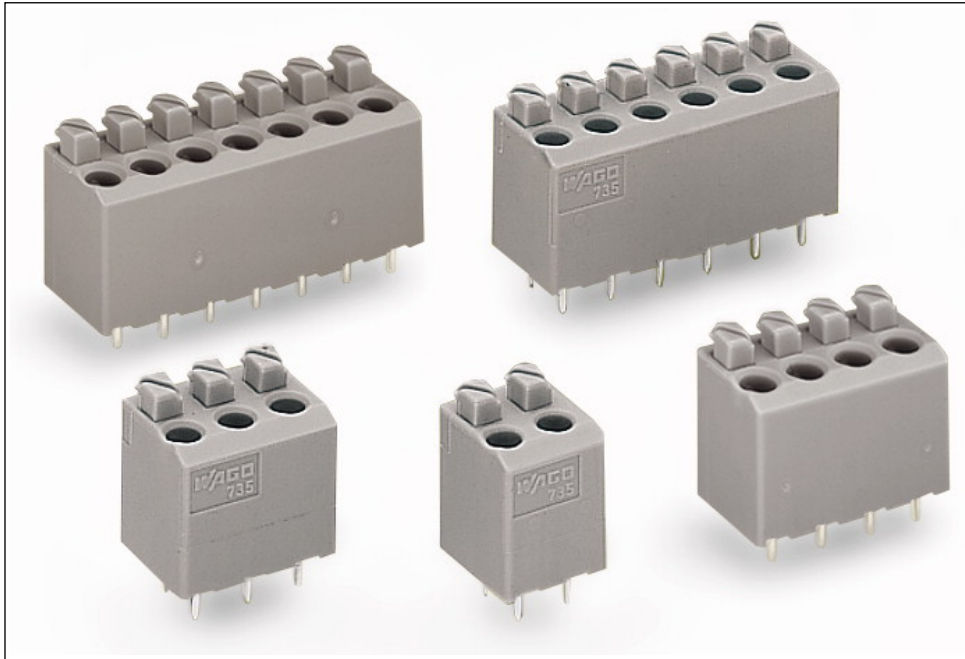
No. of poles	2
Pin spacing	5 mm / 0.197 in
Total number of connection points	2

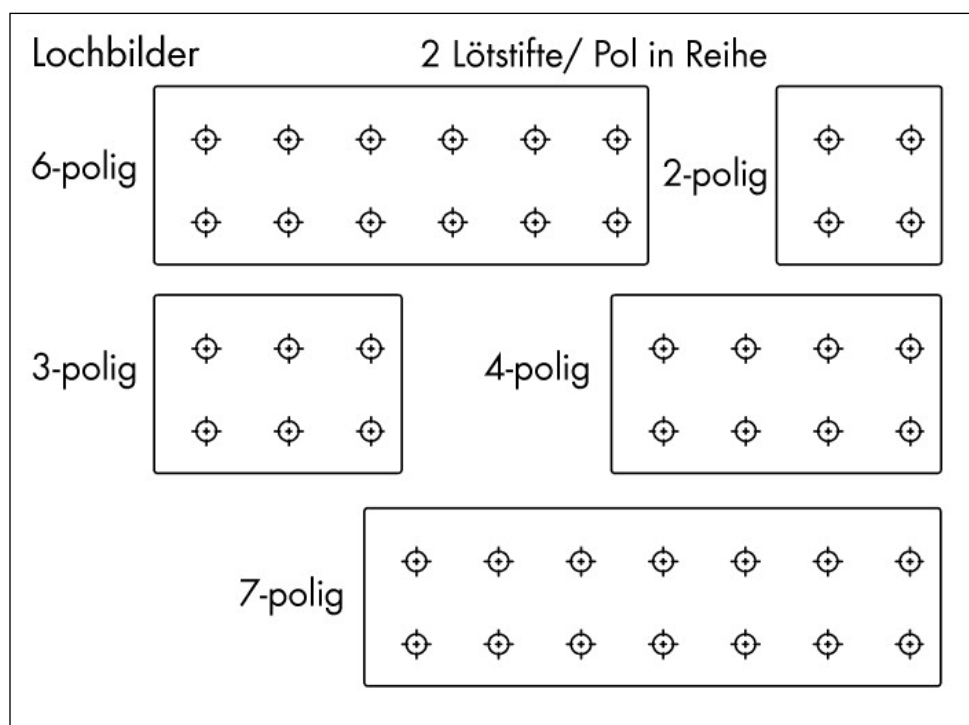
Technical data	
Total number of potentials	2
Color	gray
Ratings per	IEC/EN 60664-1
Rated voltage (III / 3) [V]	320 [V]
Rated impulse voltage (III / 3) [kV]	4 [kV]
Rated voltage (III/2) [V]	320 [V]
Rated impulse voltage (III / 2) [kV]	4 [kV]
Rated voltage (II / 2) [V]	630 [V]
Rated impulse voltage (II / 2) [kV]	4 [kV]
Rated current [A]	10 [A]
Number of connection objects	1
Number of levels	1
Connection technology	PUSH WIRE®
Number of connection points connector	1
Actuation type	Operating lever
Solid conductors, tool-operated termination	0.5 ... 1.5 mm ² / 20 ... 16 AWG
Strip length	8 ... 9 mm / 0.31 ... 0.35 inch
Conductor entry angle to the PCB [°]	90 [°]
Cross section from (1) [AWG]	20 [AWG]
Solder pin arrangement	in line
Solder pin length [mm]	3.5 [mm]
Drilled hole diameter (tolerance) [mm]	1(+ 0.1) [mm]
Drilled hole diameter [mm] [mm]	1 [mm]
Tolerance of drilled hole diameter plus [mm] [mm]	+0.1 [mm]
Material group	I
Insulating material	Polyamide 66 (PA 66)
Flammability class per UL94	V0
Limit temperature range	-60 ... 105 C
Clamping spring material	Chrome-nickel spring steel (CrNi)
Contact material	Electrolytic copper (Ecu)
Contact plating	tin-plated
Fire load [MJ]	0.027 [MJ]
Weight [g]	1.704 [g]
Width	10 mm / 0.394 in.

Technical data

<i>Height</i>	<i>19.4 mm / 0.764 in.</i>
<i>Height from the surface</i>	<i>15.9 mm / 0.626 in.</i>
<i>Depth</i>	<i>10.8 mm / 0.425 in.</i>

Images & drawings





Address

WAGO Kontakttechnik GmbH & Co. KG

Hansastr. 27

32423 Minden

Telefon: 0571/887-0

Fax: 0571/887-169

<http://www.wago.com>

© WAGO Kontakttechnik GmbH & Co. KG

Technische Änderungen und Irrtümer vorbehalten.