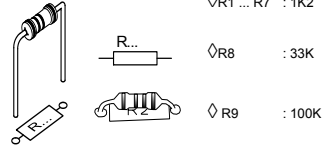


START

1

Resistor - Weerstand - Résistance - Widerstand - Resistencia - Motstand - Vastus - Resistenze



◇ R1 ... R7 : 1K2

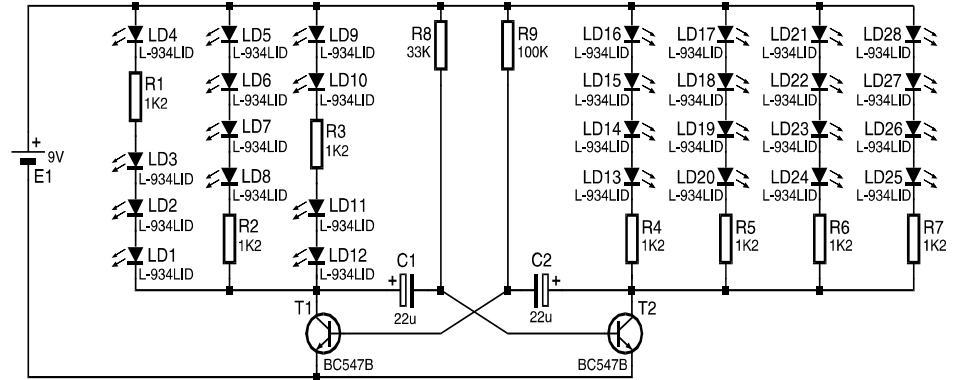
◇ R8 : 33K

◇ R9 : 100K

(Brown, Red, Red) - (Bruin, Rood, Rood) - (Brun, Rouge, Rouge) - (Braun, Rot, Rot) - (Brun, Röd, Röd) - (Ruskea, Punainen, Punainen) - (Marrón, Rojo, Rojo) - (Castanho, Encarnado, Encarnado) - (Marrone, Rosso, Rosso)

(Orange, Orange, Orange) - (Oranje, Oranje, Oranje) - (Oranssi, Oranssi, Oranssi) - (Naranjado, Naranjado, Naranjado) - (Laranja, Laranja, Laranja) - (Aranciato, Aranciato, Aranciato)

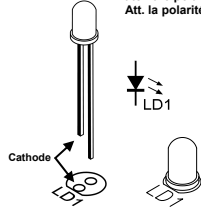
(Brown, Black, Yellow) - (Bruin, zwart, Geel) - (Brun, noir, Jaune) - (Braun, Schwarz, Gelb) - (Brun, Svart, Gul) - (Ruskea, Musta, Keltainen) - (Marrón, Negro, Amarillo) - (Castanho, Preto, Amarelo) - (Marrone, Nero, Giallo)



2

LED

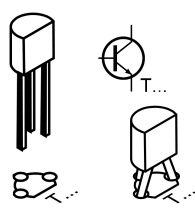
Watch the polarity !
Att. la polarité !



◇ LD1 ... LD28 : 3mm

3

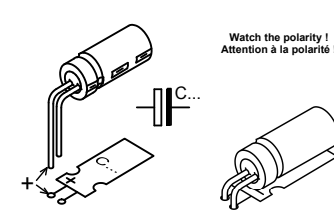
Transistor



◇ T1, T2 : BC547

4

Electrolytic capacitor



◇ C1, C2 : 22µF

5

