

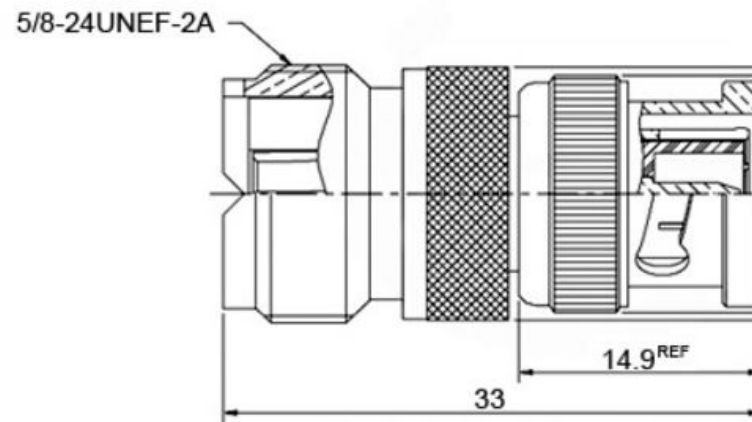


Item No. : M5513

RoHS :  RoHS

Description :

UHF female to BNC male gold-pin



### Electrical Specifications

Connector series	Impedance	Frequency range	Voltage rating	Withstanding voltage	Contact resistance	Insulation resistance
UHF	50Ω	0 - 300 MHz	AC 500V	AC1500V one minute	3.0mΩ max	5000MΩ min at DC 500V