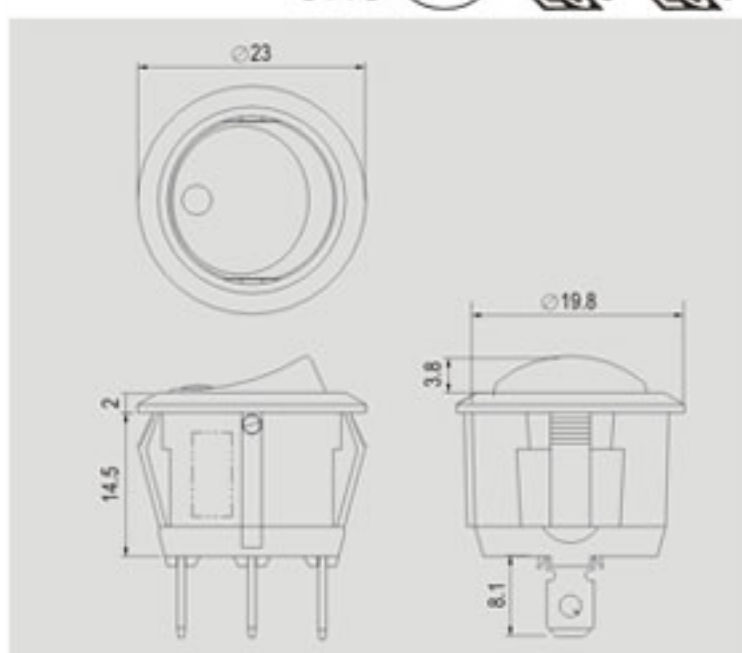
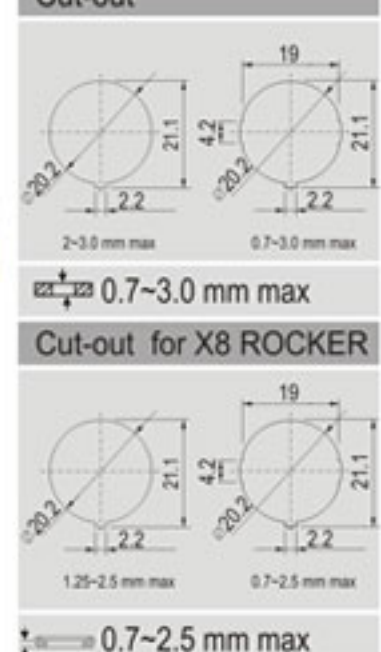


# R13-112



Rating	16A 125V AC 10A 250V AC
Contact resistance	50mΩ Max
Insulation resistance	DC 500V 100MΩ Min
Dielectric strength	AC 1500V 1 minute
Cut-out	



## FEATURES

- \* MATERIAL: Frames are nylon (UL flame: 94V-2). Terminals are silver plated brass.
- \* Illuminated actuators are molded in PC, available with red, amber and green colors.
- \* Snap-in mounting, easy to install switch into panel.
- \* Waterproof cover is optional, except LP & BP type.
- \* The dimension of frame is 14.5mm, for shorter one, please refer to page.1-51 item no. R13-208.

\* R13-112B9, R13-112B9F: LED with PCB inside for AC rating.



## Ordering number instruction

R13-112 - [ ] - [ ]

FUNCTION				TERMINAL
<b>Different button (按鈕不同)</b> <b>A</b> 1 2  2P SPST <b>A 2</b> 1 2  2P SPST <b>A 5</b> 1 2  2P SPST (Gloss Finish) <b>A P</b> 1 2  2P SPST				0 2 .187" SQ
<b>Illuminated / Different button (帶燈/按鈕不同)</b> <b>B</b> 1 2 3  3P SPST (NEON) <b>B 2</b> 1 2 3  3P SPST (NEON) <b>B 9</b> 1 2 3  3P SPST(W/O Lens) (LED) <b>B 10</b> 1 2 3  3P SPST (LED) <b>B P</b> 1 2 3  3P SPST (NEON)				
<b>Momentary / Illuminated / Different button (彈回/帶燈/按鈕不同)</b> <b>B F</b> 1 2 3  3P SPST (NEON) <b>B 2 F</b> 1 2 3  3P SPST (NEON) <b>B 9 F</b> 1 2 3  3P SPST(W/O Lens) (LED)				
<b>Different position / Different button (動作特性不同/按鈕不同)</b> <b>C</b> 1 2 3  3P SPDT <b>C P</b> 1 2 3  3P SPDT <b>D</b> 1 2 3  3P OFF SPDT <b>D P</b> 1 2 3  3P OFF SPDT				
<b>Momentary (彈回)</b> <b>E</b> 1 2  2P SPST (OFF) <b>F</b> 1 2  2P SPST (ON) <b>G</b> 1 2 3  3P SPDT (ON) <b>H</b> 1 2 3  3P OFF SPDT (ON) <b>I</b> 1 2 3  3P SPDT (ON)				
<b>Independent circuit / Different button (獨立運路/按鈕不同)</b> <b>L</b> 1 2 3  4P SPST (LED) <b>L P</b> 1 2 3  4P SPST (LED) <b>L F</b> 1 2 3  4P SPST (LED)				
<b>Waterproof (防水)</b> <b>A 8</b> 1 2  2P SPST <b>B 8</b> 1 2 3  3P SPST (NEON) <b>B 8 F</b> 1 2 3  3P SPST (NEON) <b>C 8</b> 1 2 3  3P SPDT <b>D 8</b> 1 2 3  3P OFF SPDT <b>F 8</b> 1 2  2P SPST (ON)				