

| REV. | DESCRIPTION | DRAWN | DATE |
|------|-----------------|-------|------------|
| 1 | INITIAL RELEASE | FROS | 2020/07/27 |
| 2 | ECR2000013 | FROS | 2020/08/27 |

SPECIFICATION:

1. ELECTRICAL

- 1.1 Current Rating: 0.5A
- 1.2 Voltage Rating: 10V
- 1.3 Contact Resistance: 40mΩ
- 1.4 Insulation Resistance: 100MΩ
- 1.5 Dielectric Withstanding Voltage: 500VAC

2. MECHANICAL

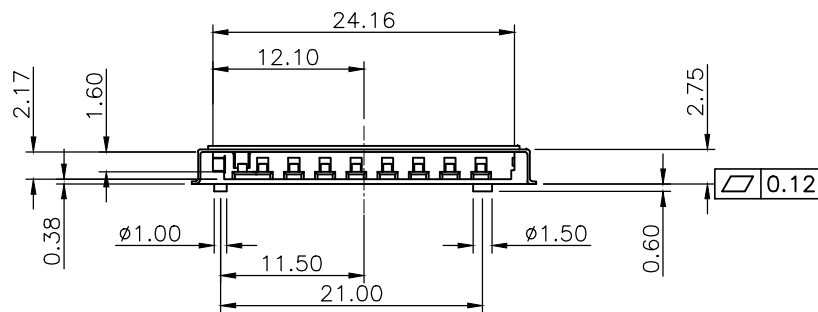
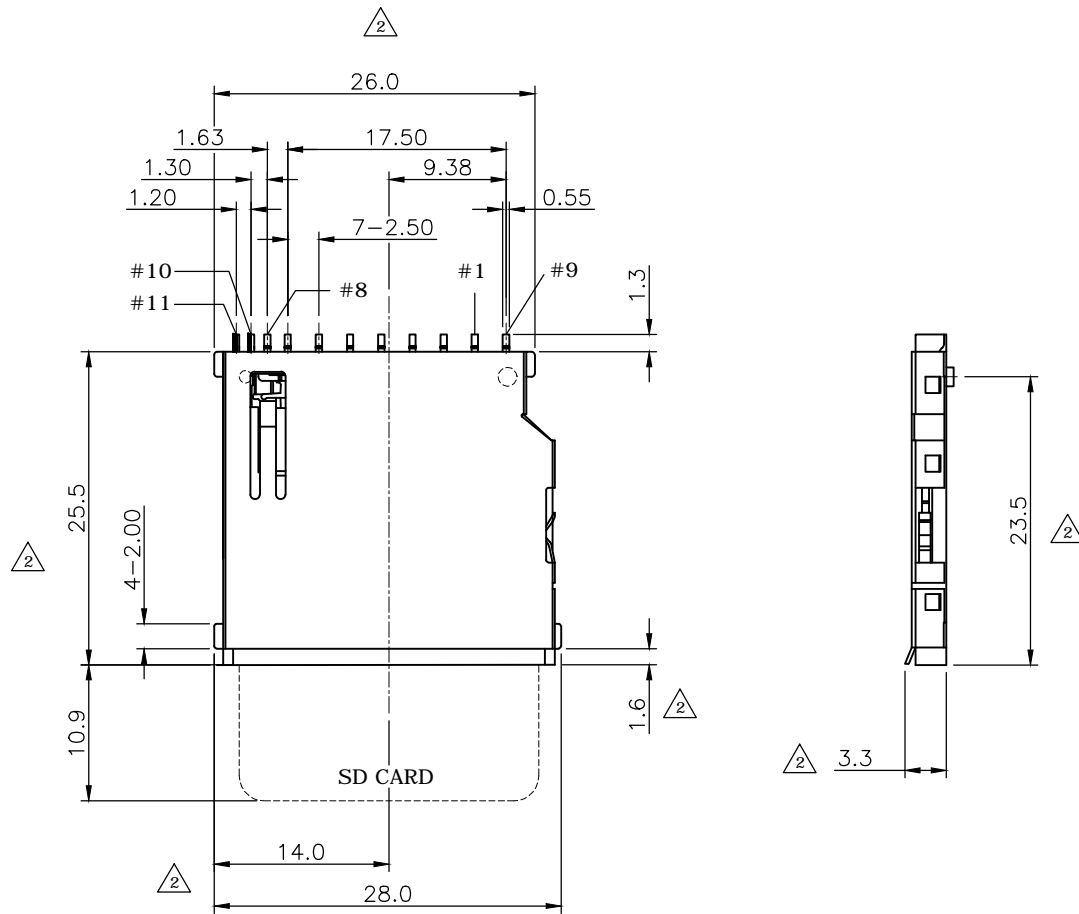
- 2.1 Durability: 10000 Cycle
- 2.2 Insertion Force: 40N Max.
- 2.3 Extraction Force: 2N Min.

3. ENVIRONMENTAL

- 3.1 Operating temperature range: -40°C~+85°C
- 3.2 Storage temperature range: -40°C~+85°C

4. SOLDER ABILITY

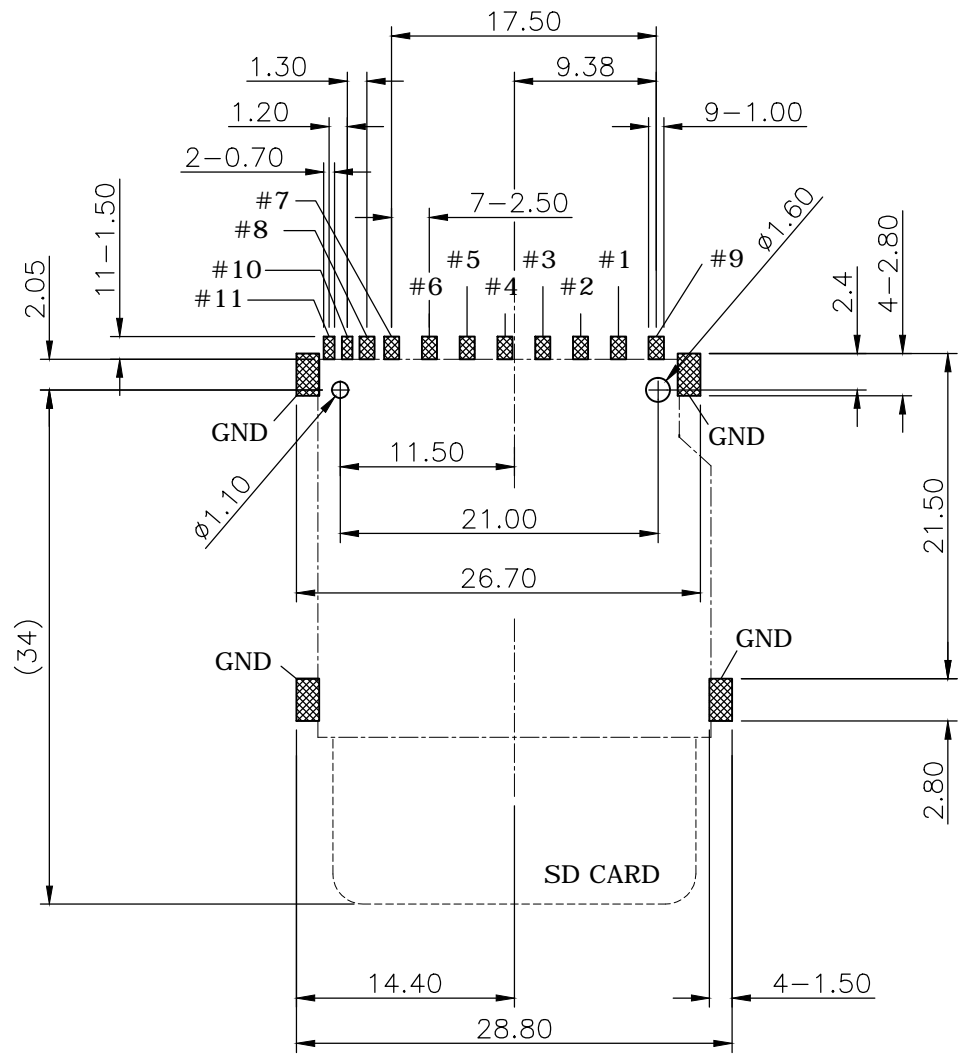
- 4.1 Recommended IR Reflow(Wave Soldering) Temperature: 260°C



| | | | | | | | |
|--------------------------------------|---------|---|---|------|----|-----------|---------------|
| 3 | SHELL | Copper alloy, Nickel plating | | | | | |
| 2 | CONTACT | Copper alloy, G/F on contact area, tin plating on on solder tails, under plating nickel | | | | | |
| 1 | HOUSING | LCP, UL94V-0, natural | | | | | |
| NO. PART NAME | | DESCRIPTION | | | | | |
| UNLESS OTHERWISE SPECIFIED TOLERANCE | | | | | | | |
| UNIT: | DECIMAL | LINEAR | ANGLES | | | | |
| mm | X. | ±0.50 | ±5° | | | | |
| | X.X | ±0.25 | ±3° | | | | |
| | X.XX | ±0.12 | ±1° | | | | |
| www.attend.com.tw | | | | | | | |
| DRAWN | Fros | 2020/07/27 | DRAWN NAME: | | | | |
| CHECKED | Tim | 2020/07/27 | SD Socket, Push-Pull Type, G/F, w/switch | | | | |
| APPROVED | Ken | 2020/07/27 | PRODUCT NO. 104C-TAA1 | | | | |
| SCALE | 1.65 | SHEET | 1/2 | SIZE | A4 | FILE NAME | 104C-TAA1_B_2 |

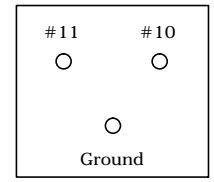


| | | | |
|------|---------------|-------|------|
| REV. | DESCRIPTION | DRAWN | DATE |
| | see sheet one | | |

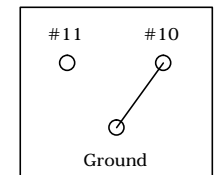


RECOMMENDED LAYOUT (TOP VIEW)
GENERAL TOLERANCE: ±0.05MM

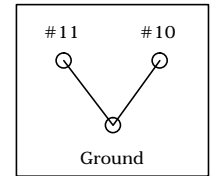
Circuit diagram



without card



card inserted
write protect: Lock



card inserted
write protect: unlock

| PIN# | NAME |
|-------|----------------------|
| 1 | CD/DAT3 |
| 2 | CMD |
| 3 | VSS1 |
| 4 | VDD |
| 5 | CLK |
| 6 | VSS2 |
| 7 | DAT0 |
| 8 | DAT1 |
| 9 | DAT2 |
| 10 | Card detect switch |
| 11 | Write protect switch |
| Shell | Ground |

| | | | | | |
|--------------------------------------|---------|------------|--|-----------|---------------|
| UNLESS OTHERWISE SPECIFIED TOLERANCE | | | | | |
| UNIT: | DECIMAL | LINEAR | ANGLES | | |
| mm | X. | ±0.50 | ±5° | | |
| | X.X | ±0.25 | ±3° | | |
| | X.XX | ±0.12 | ±1° | | |
| DRAWN | Fros | 2020/07/27 | DRAWN NAME: SD Socket, Push-Pull Type, G/F, w/switch | | |
| CHECKED | Tim | 2020/07/27 | | | |
| APPROVED | Ken | 2020/07/27 | PRODUCT NO. 104C-TAA1 | | |
| SCALE | 2/1 | SHEET | 2/2 | FILE NAME | 104C-TAA1_B_2 |
| | | | | | |



www.attend.com.tw

