

Item No. : YQF A

RoHS : RoHS

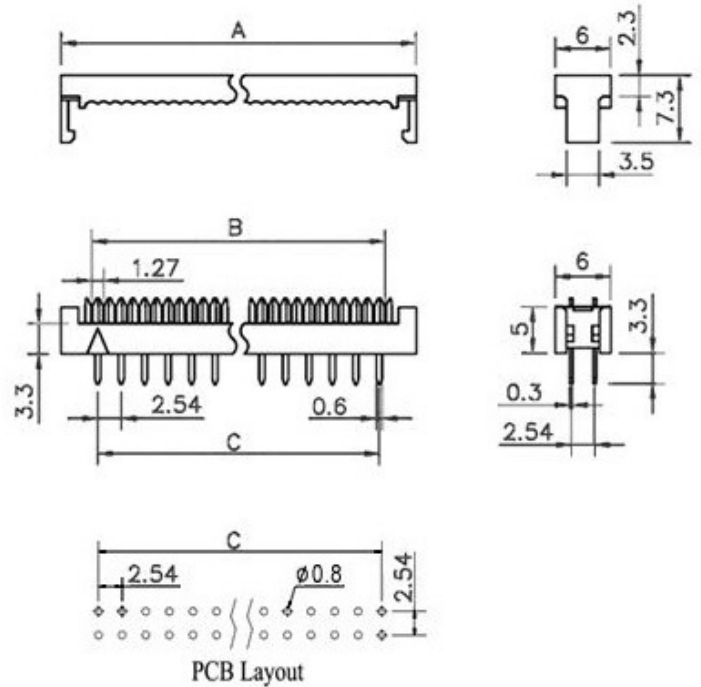
Description :

2.54mm x 2.54mm IDC DIP connector



YQFxxA
└ Pins

Dimension Part No.	A	B	C
YQF08A	15.61	8.89	7.62
YQF10A	18.15	11.43	10.16
YQF14A	23.23	16.51	15.24
YQF16A	25.77	19.05	17.78
YQF20A	30.85	24.13	22.86
YQF26A	38.47	31.75	30.48
YQF34A	48.63	41.91	40.64
YQF60A	81.65	74.93	73.66
YQF64A	86.73	80.01	78.74



Specifications

Current rating: 1A

Contact resistance: 15mΩ Max.

Insulation resistance: 1000MΩ Min. at 500VDC

Dielectric withstanding voltage: 500VAC for 1 minute

Temperature rating: -40°C ~ +105°C

Materials

Insulator: PBT+30% glass fiber UL94V-0

Contact: Copper alloy

Contact plated: Tin plated