



Fieldbus Coupler PROFIBUS DP; 2nd Generation; 12 MBd

Item No.: 750-333



Fieldbus Coupler PROFIBUS DP; 2nd Generation; 12 MBd

Marking

RoHS ✓
Compliant

Business data

Supplier	WAGO
Item no.	750-333
GTIN / EAN	4045454526856
Content	1
Order amount	1
Customer item number	

Notes

Item description: This buscoupler interfaces the I/O modules of the WAGO I/O SYSTEM to PROFIBUS DP. When initializing, the buscoupler determines the module structure of the node, to create the process image in PROFIBUS. In order to optimize addresses, the I/O modules with a bit width smaller than 8 are grouped in one byte. It is furthermore possible to deactivate I/O modules and to modify the image of the node according to the connected signals without having to modify the existing application. The diagnosis concept is based on diagnostics according to the EN 50170 standard. Therefore the programming of modules is not necessary to interpret the diagnostic information from each manufacturer. *Hinweis:* Notice: GSD files required Transmission time: typ. 1 ms (10 couplers; 32 digital I/Os per coupler at 12 Mbaud) max. 3.3 ms

Technical data

Miscellaneous

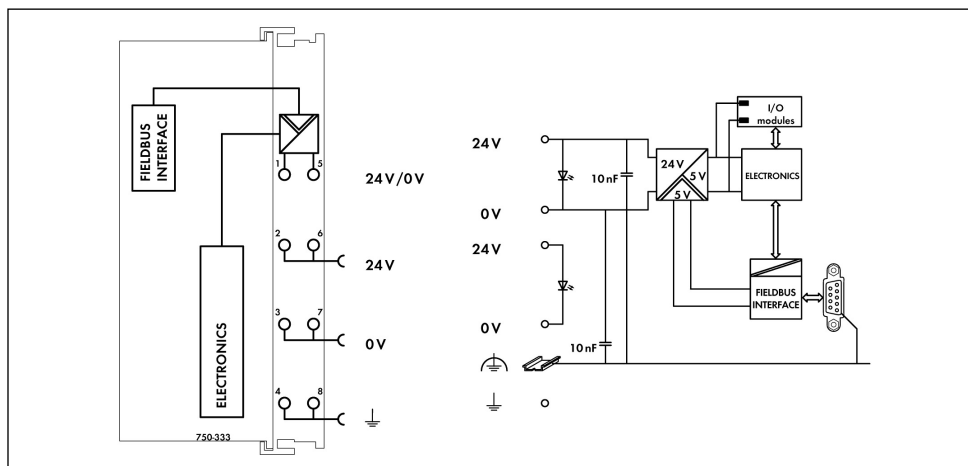
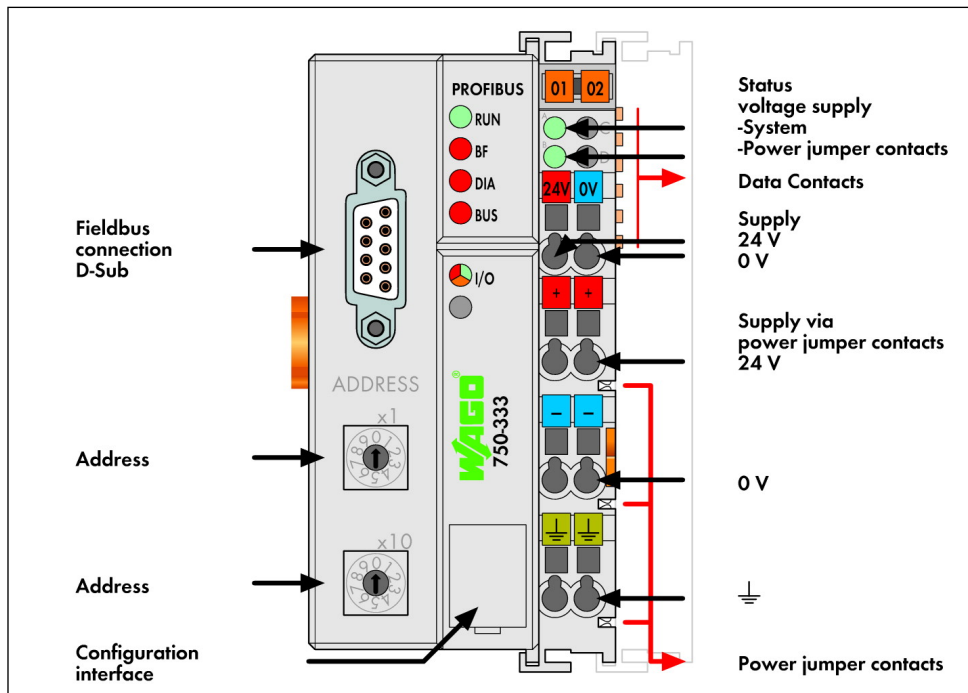
Technical data	
Color	light gray
Standard	EN 50170
Conformity marking	CE
No. of couplers connected to Master	96 with repeater
Max. no. of I/O points	approx. 6000 (depends on master)
Transmission medium	Cu cable acc. to EN 50170
Max. length of fieldbus segment	100 m ... 1200 m (depends on baud rate/cable)
Baud rate	9.6 Kbaud ... 12 Mbaud
Buscoupler connection	1 x D-Sub 9; socket
Number of I/O modules	63
Max. input process image	244 bytes
Max. output process image	244 bytes
Power supply	24 V DC (-25 % ... +30 %)
Max. input current (24 V) [mA]	500 [mA]
Power supply efficiency [%]	87 [%]
Internal current consumption (5 V) [mA]	200 [mA]
Total current for I/O modules (5 V) [mA]	1800 [mA]
Isolation	500 V system/supply
Voltage via power jumper contacts	24 V DC (-25 % ... +30 %)
Current via power jumper contacts (max.) [A]	DC10 A DC [A]
Degree of protection	IP20
Connection technology	CAGE CLAMP®
Solid conductor	0.08 ... 2.5 mm ² / 28 ... 14 AWG
Fine-stranded conductor	0.08 ... 2.5 mm ² / 28 ... 14 AWG
Strip length	8 ... 9 mm / 0.31 ... 0.35 Inch
Weight [g]	183.143 [g]
Width	50.5 mm / 1.988 Inch
Height	71.1 mm / 2.799 Inch
Height from upper-edge of DIN-35 rail	63.9 mm / 2.516 Inch
Depth	100 mm / 3.937 Inch
Storage temperature	-25 °C ... +85 °C
Relative air humidity (no condensation) [%]	95 [%]
Type of mounting	DIN-35 x 15 carrier rail
Operating temperature	0 °C ... +55 °C
EMC emission of interference	acc. to EN 61000-6-4, marine applications

Technical data

<i>EMC immunity to interference</i>	<i>acc. to EN 61000-6-2, marine applications</i>
<i>Shock resistance</i>	<i>acc. to IECacc. to IEC 60068-2-27</i>
<i>Vibration resistance</i>	<i>acc. to IECacc. to IEC 60068-2-6</i>

Images & drawings





Address

WAGO Kontakttechnik GmbH & Co. KG

Hansastr. 27

32423 Minden

Telefon: 0571/887-0

Fax: 0571/887-169

<http://www.wago.com>

© WAGO Kontakttechnik GmbH & Co. KG

Technische Änderungen und Irrtümer vorbehalten.