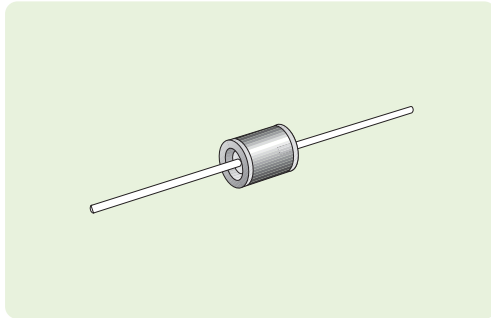


## EPCOS type B88069X

A range of 2 and 3 electrode Gas Discharge Tube (GDT) surge arrestors designed to protect equipment against high transient voltage such as those generated by lightning strikes, thyristor control circuits or contact changeovers. Available in surge ratings from 2.5kA to 20kA.



- ◆ Gas discharge tubes (GDTs)
- ◆ High transient voltage surge protection
- ◆ Impulse discharge current ratings from 2.5kA to 20kA
- ◆ Choice of 2 or 3 electrode devices
- ◆ Fast response time

### Specification

DC spark-over voltage ( $V_{sdcl}$ ) ..... see table ( $\pm 20\%$ )  
 Nominal impulse discharge current (wave 8/20 $\mu$ s) ..... see table  
 Nominal alternating discharge current (50Hz, 1s) ..... see table  
 Operating and storage temp. range ..... -40°C to +90°C  
 Climatic category (IEC 60068-1) ..... 40/90/21

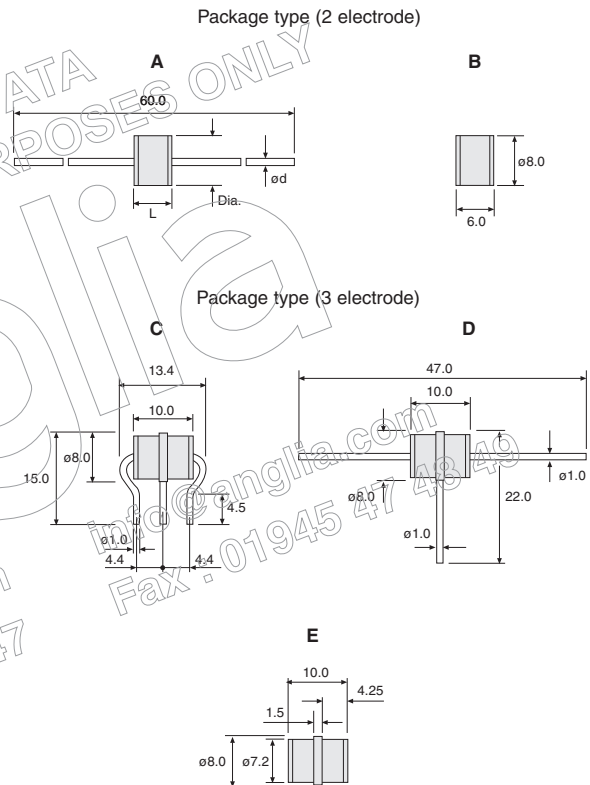
### 2 Electrode type

Impulse Discharge Current Rating	Alternating Discharge Current Rating	$V_{sdclN}$ (V)	Package Type	Dimensions (mm)		Manf. Part No. & Anglia Order Code	
				L	Dia. $\phi d$		
2.5kA	2.5A	90	A	5	5	0.8	B88069X190
2.5kA	2.5A	230	A	6	5.5	0.8	B88069X2930
2.5kA	2.5A	350	A	6	5.5	0.8	B88069X4640
2.5kA	2.5A	600	A	6	5.5	0.8	B88069X4590
5kA	5A	90	A	6	8	0.8	B88069X720
5kA	5A	150	A	6	8	0.8	B88069X880
5kA	5A	230	A	6	8	0.8	B88069X660
5kA	5A	350	A	6	8	0.8	B88069X810
5kA	5A	600	A	6	8	0.8	B88069X780
10kA	10A	90	A	6	8	1	B88069X4880
10kA	10A	230	A	6	8	1	B88069X4930
10kA	10A	350	A	6	8	1	B88069X4920
20kA	20A	90	B	-	-	-	B88069X1410
20kA	20A	90	A	6	8	1	B88069X1380
20kA	20A	230	B	-	-	-	B88069X2240
20kA	20A	230	A	6	8	1	B88069X2250
20kA	20A	350	B	-	-	-	B88069X2230
20kA	20A	350	A	6	8	1	B88069X2380
20kA	20A	600	A	6	8	1	B88069X2880

### 3 Electrode type

Impulse Discharge Current Rating	Alternating Discharge Current Rating	$V_{sdclN}$ (V)	Package Type	Manf. Part No. & Anglia Order Code
10kA	10A	230	C	B88069X8910
10kA	10A	350	C	B88069X8690
20kA	10A	230	E	B88069X8710
20kA	10A	230	D	B88069X8920
20kA	10A	230	C	B88069X8740
20kA	10A	350	C	B88069X7200

### Dimensions (mm)



For the very latest information and news on the full range of EPCOS products available from Anglia, visit our website :

[www.anglia.com/epcos](http://www.anglia.com/epcos)

Alternatively, contact our Sales Desk to discuss your specific requirements.