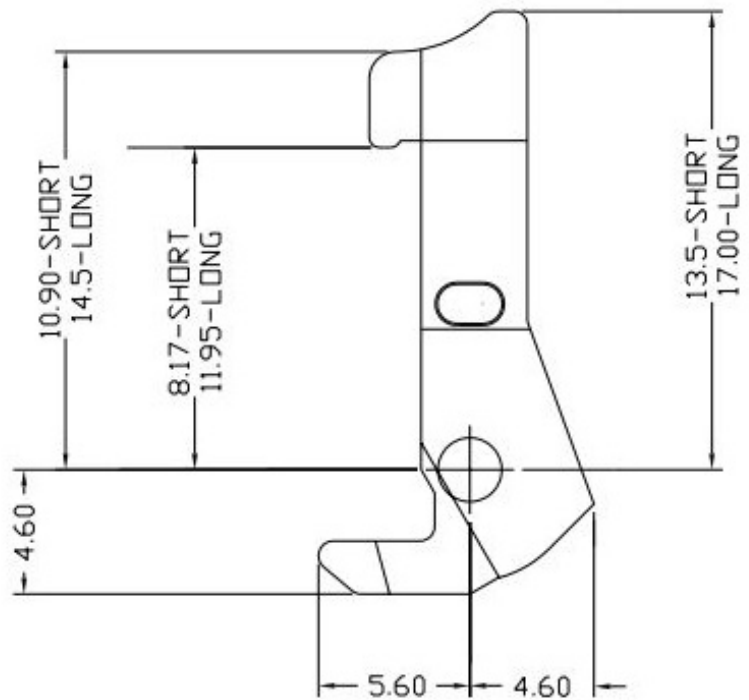
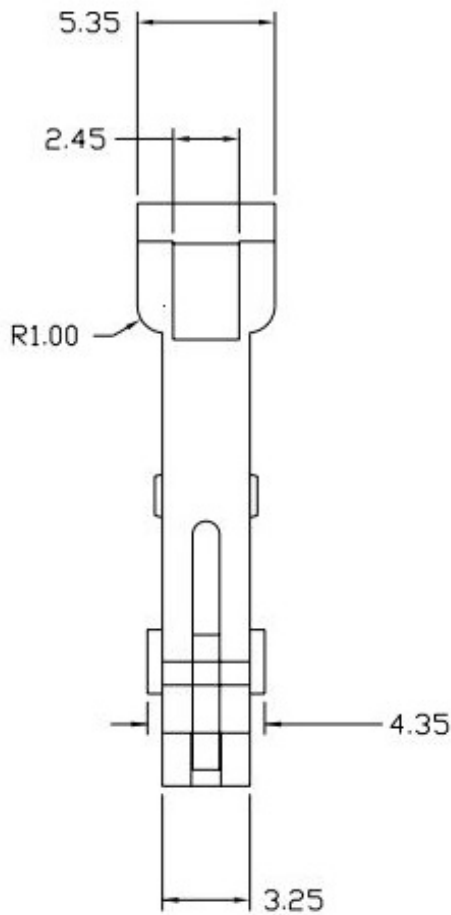


# PSL-VN



Withstanding voltage : 1000V DC or AC peak  
Current rating : 1.0A  
Contact resistance : 20mOhm  
Insulation resistance : 5000MOhm at 100V  
Normal operating temperature: -40 degree  
to +105 degree centigrade

Plastic Material: PBT 20% GF  
Manufacturer : Bayer  
Material : Pocan B4225  
Product rating : UL-94 V-O  
File no. : E41613