

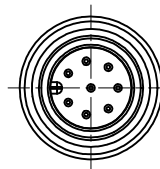
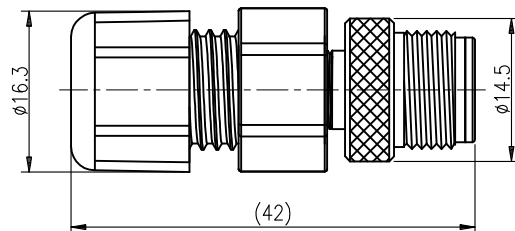
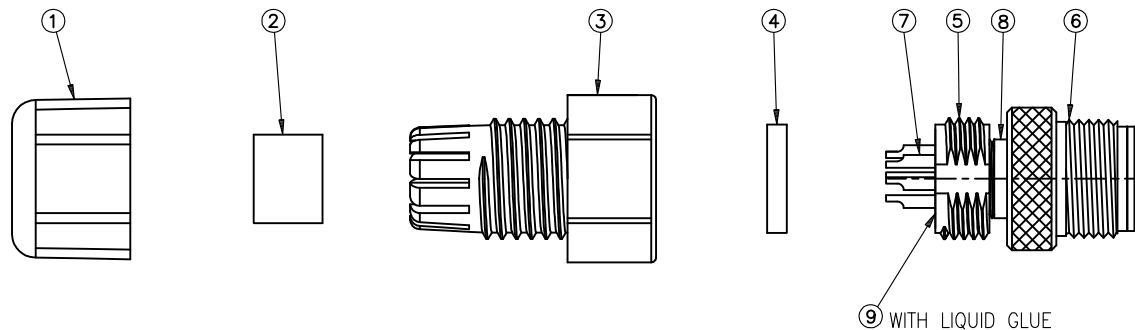
1

2

3

4

5



Specifications:

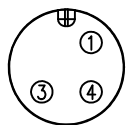
Current Rating:5A
 Voltage Rating:60V
 Contact Resistance:5m ohm. Max.
 Insulation Resistance:100M ohm. Min.
 Withstanding Voltage:500V AC/Minute
 Operating Temperature Range:-40°C ~ +100°C
 Waterproof Rate:IP68
 Seal for Cable OD:φ4.0~6.5mm
 Material and Finish
 See Table

How to Order

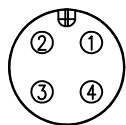
120512-XXP-A-AS

Assembly Solder
 A Coding
 Plug
 No.of Contacts
 M12

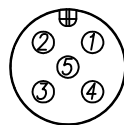
Pin Assignments Front View



3Pin
22AWG~24AWG



4Pin
22AWG~24AWG



5Pin
22AWG~24AWG



8Pin
22AWG~24AWG

| ITEM | Description | Material | Remark | Q'TY |
|------|-------------|----------|----------------------|------|
| 1 | Sealing Nut | PPE | Black | 1 |
| 2 | Seal | EPDM | Black | 1 |
| 3 | Clamp Ring | PPE | Black | 1 |
| 4 | Gasket | Silicone | Black | 1 |
| 5 | Screw Nut | Nylon+GF | Black | 1 |
| 6 | Screw Nut | Brass | Nickel Plating 100u" | 1 |
| 7 | Contact | Brass | Gold Plated 3u" | 3~8 |
| 8 | Insulator | Nylon+GF | Black | 1 |
| 9 | Liquid Glue | N/A | Black | A/R |

RoHS Compliant

| | | | |
|-----|-------------|------|--------|
| F | | | |
| E | | | |
| D | | | |
| C | | | |
| B | | | |
| A | 09-Jan-2018 | | Andrew |
| REV | DATE | FILE | BY |

DRAWN:
Andrew

CHECKED:
Bill He

APPROVAL:
Norman

GENERAL TOLERANCE:

.X=±0.3
.XX=±0.2

UNIT: MM

SCALE: 1:1

SHEET: 1/1

PROJECTION:



繼德工業股份有限公司
Neltron Industrial Co., Ltd.

DESCRIPTION:

M12 A CODE PLUG ASSEMBLY SOLDER TYPE

PART NO:

120512-XXP-A-AS

SIZE

A4