

Specifications

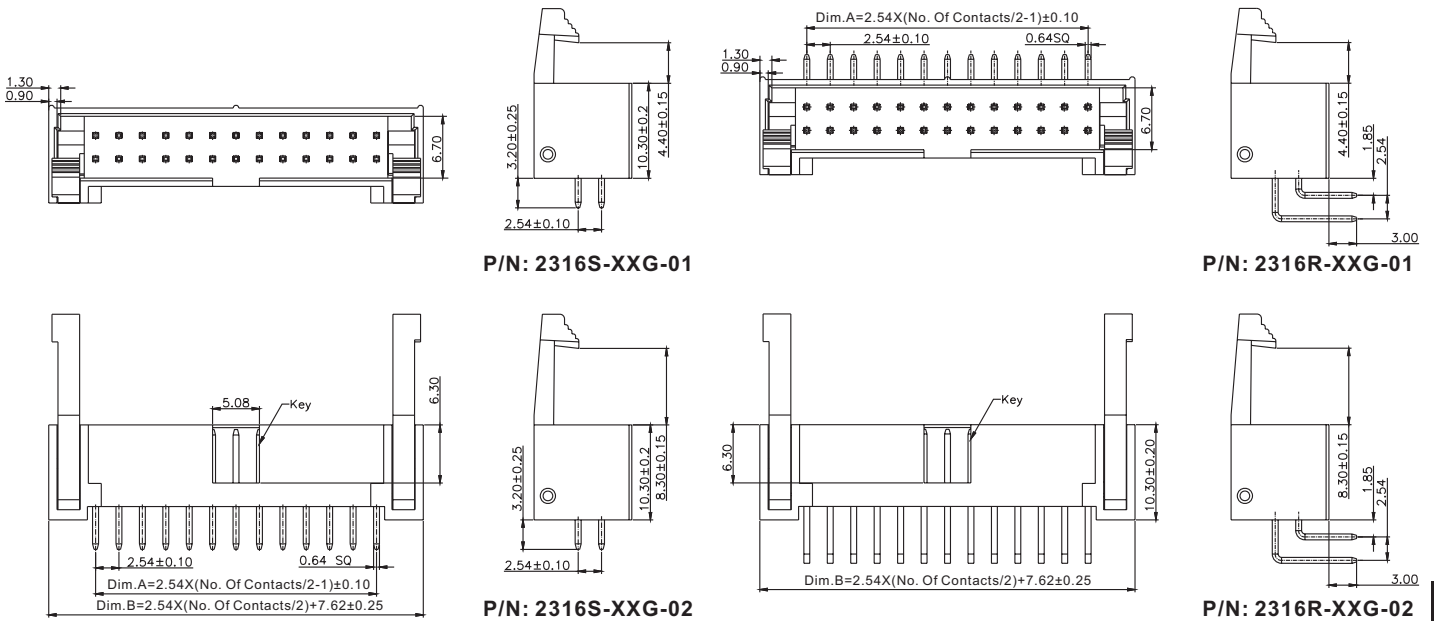
1. Current Rating: 3.0A AC/DC.
2. Voltage Rating: 250V AC/DC.
3. Contact Resistance: 20m ohm. max.
4. Insulation Resistance: 1000M ohm. Min.
5. Withstanding Voltage: 600V AC for one minute.
6. Operating Temperature Range: -40°C to +105°C.

Material and Finish

1. Insulator: PBT (UL94V-0).
2. Contact: Copper Alloy.
3. Plating: Gold Plated.

Feature

1. Design for Home Appliances, Aviation Electronics, Automobile Electronics and Computer(PC) Peripherals.



Engineering Dimension

Circuits	Dim. A	Dim. B	Circuits	Dim. A	Dim. B	Circuits	Dim. A	Dim. B
6	5.08	15.24	16	17.78	27.94	34	40.64	50.80
8	7.62	17.78	20	22.86	33.02	40	48.26	58.42
10	10.16	20.32	24	27.94	38.10	50	60.96	71.12
12	12.70	22.86	26	30.48	40.64	60	73.66	83.82
14	15.24	25.40	30	35.56	45.72	64	78.74	88.90

Ordering Information

2316S-XXG-XX

① ② ③ ④

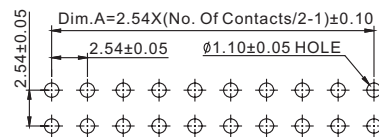
① S: Straight Type	③ G: Gold Plated T: Tin Plated SG: Selective Gold	④ 01: Short Ejector 02: Long Ejector
② No. Of Contacts		

2316R-XXG-XX

① ② ③ ④

① R: Right Angle Type	③ G: Gold Plated T: Tin Plated SG: Selective Gold	④ 01: Short Ejector 02: Long Ejector
② No. Of Contacts		

Recommended PCB Layout



PCB Connector

Unit:mm