



Screwless end stop; 6 mm wide; for WMB markers

Item No.: 249-101



Screwless end stop; 6 mm wide; for WMB markers

Marking

RoHS ✓
Compliant

Business data

| | |
|----------------------|---------------|
| Supplier | WAGO |
| Item no. | 249-101 |
| GTIN / EAN | 4050821427766 |
| Content | 1 |
| Order amount | 25 |
| Customer item number | |

Notes

Technical data

Miscellaneous

| | |
|---------------------------------------|---------------------|
| Color | gray |
| Fire load [MJ] | 0.049 [MJ] |
| Weight [g] | 1.58 [g] |
| Width | 6 mm / 0.236 in. |
| Height from upper-edge of DIN-35 rail | 16 mm / 0.63 in. |
| Depth | 23.2 mm / 0.913 in. |

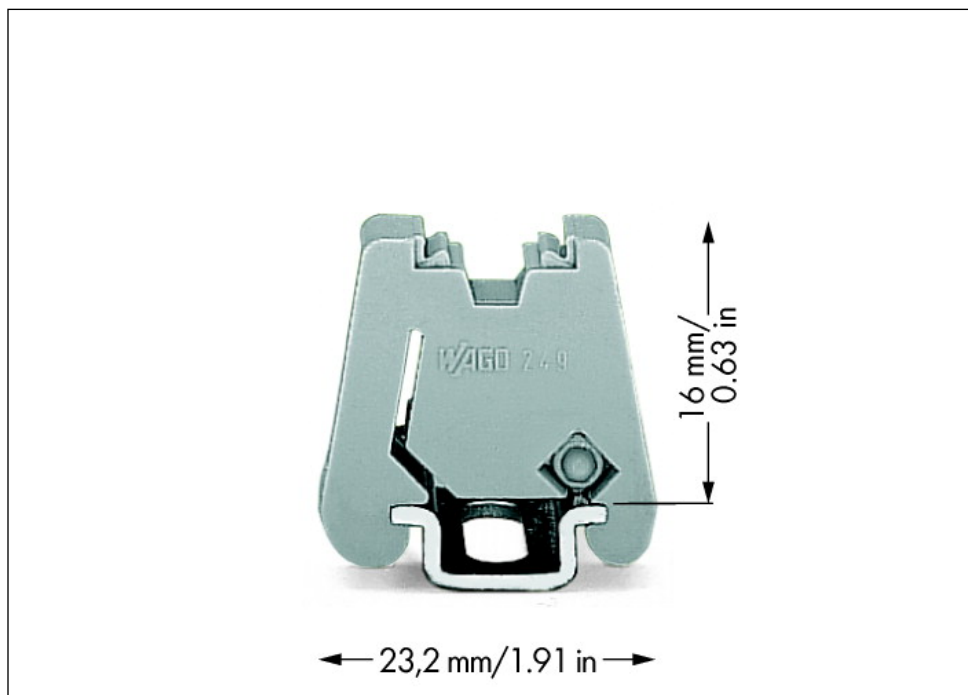
Technical data

Type of mounting

DIN-15 rail

Images & drawings





Address

WAGO Kontakttechnik GmbH & Co. KG

Hansastr. 27

32423 Minden

Telefon: 0571/887-0

Fax: 0571/887-169

<http://www.wago.com>

© WAGO Kontakttechnik GmbH & Co. KG

Technische Änderungen und Irrtümer vorbehalten.