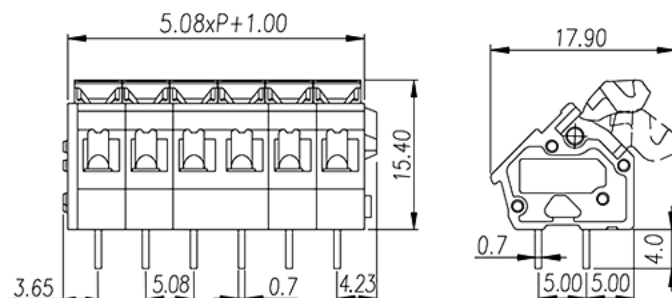
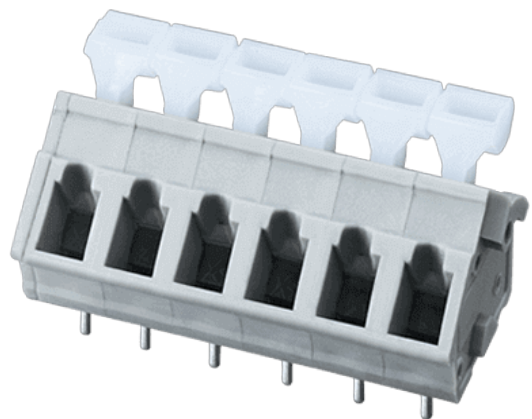


WKA508A-XXP

PCB Terminal blocks > PCB Terminal Blocks



Product Description

Pitch : 5.08mm , 300V , 15A

General information

Short description	PCB Terminal Blocks , Spring clamp connection
Connection method	Spring clamp connection
Type of locking	Without
Pitch mm	5.08
Level	Single level
Pin demensions (Thickness x Width) mm	0.7X0.7
PCB hole diameter mm	1.1~1.2

Material information

Insulation material	PA
Flame retardant rating , compliant with UL94	V0
Color	Gray
Conductor material	Copper Alloy
Plating of conductor surface	Tinned

Connection data-UL

Stripping Length mm	5~6
---------------------	-----

Rated voltage V (UL/CUL standard group B)	300
Rated current A (UL/CUL standard group B)	15
AWG, compliant with UL/CUL, Sol. max (group B)	28
AWG, compliant with UL/CUL, Sol. min (group B)	12
AWG, compliant with UL/CUL, Str. max (group B)	28
AWG, compliant with UL/CUL, Str. min (group B)	12

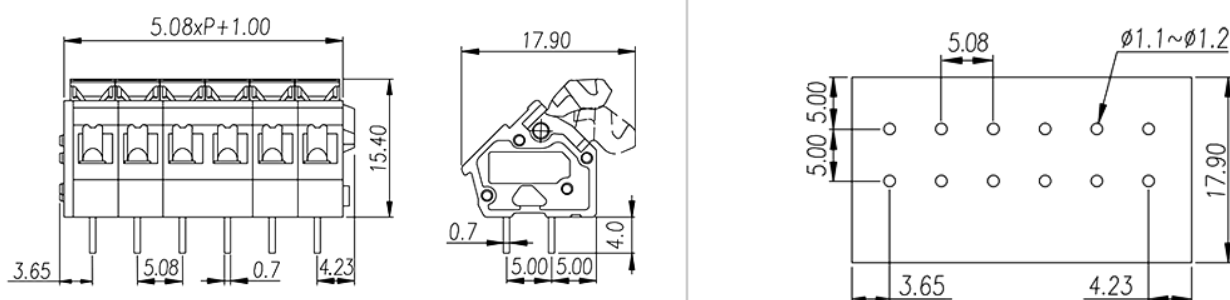
Connection data-IEC

Rated data	IEC 60998
Surge voltage category	III
Pollution degree	2
Insulating material group	I
Rated current A	24
Rated voltage V	450
Rated voltage V (II/2)	630
Rated voltage V (III/2)	320
Rated voltage V (III/3)	320
Rated impulse voltage V (II/2)	4
Rated impulse voltage V (III/2)	4
Rated impulse voltage V (III/3)	4
Conductor cross section solid. min mm ²	0.2
Conductor cross section solid.max mm ²	2.5
Conductor cross section stranded. min mm ²	0.2
Conductor cross section stranded. max mm ²	2.5
Conductor cross section flexible, with max ferrule without plastic sleeve mm ²	1.5
Conductor cross section flexible, with min ferrule without plastic sleeve mm ²	0.25
Conductor cross section flexible, with max ferrule with plastic sleeve mm ²	1.5
Conductor cross section flexible, with min ferrule with plastic sleeve mm ²	0.25
2 conductors with same cross section flexible, max twin ferrules with plastic sleeve mm ²	1
2 conductors with same cross section flexible, min twin ferrules with plastic sleeve mm ²	0.5

Environment & Safety

Back of the hand protection (YES or NO)	YES
Finger protection (YES or NO)	YES
Operating temperature. max °C	110
Operating temperature. min °C	-40

Drawings



Approvals

