



2-channel digital output; 24 VDC; 2.0 A

Item No.: 750-502



2-channel digital output; 24 VDC; 2.0 A

Marking

RoHS ✓
Compliant

Business data

Supplier	WAGO
Item no.	750-502
GTIN / EAN	4045454586652
Content	1
Order amount	1
Customer item number	

Notes

Item description: This digital output module transmits control signals from the automation device to the connected actuators. All outputs are short-circuit-protected. Field and system levels are electrically isolated.

Technical data

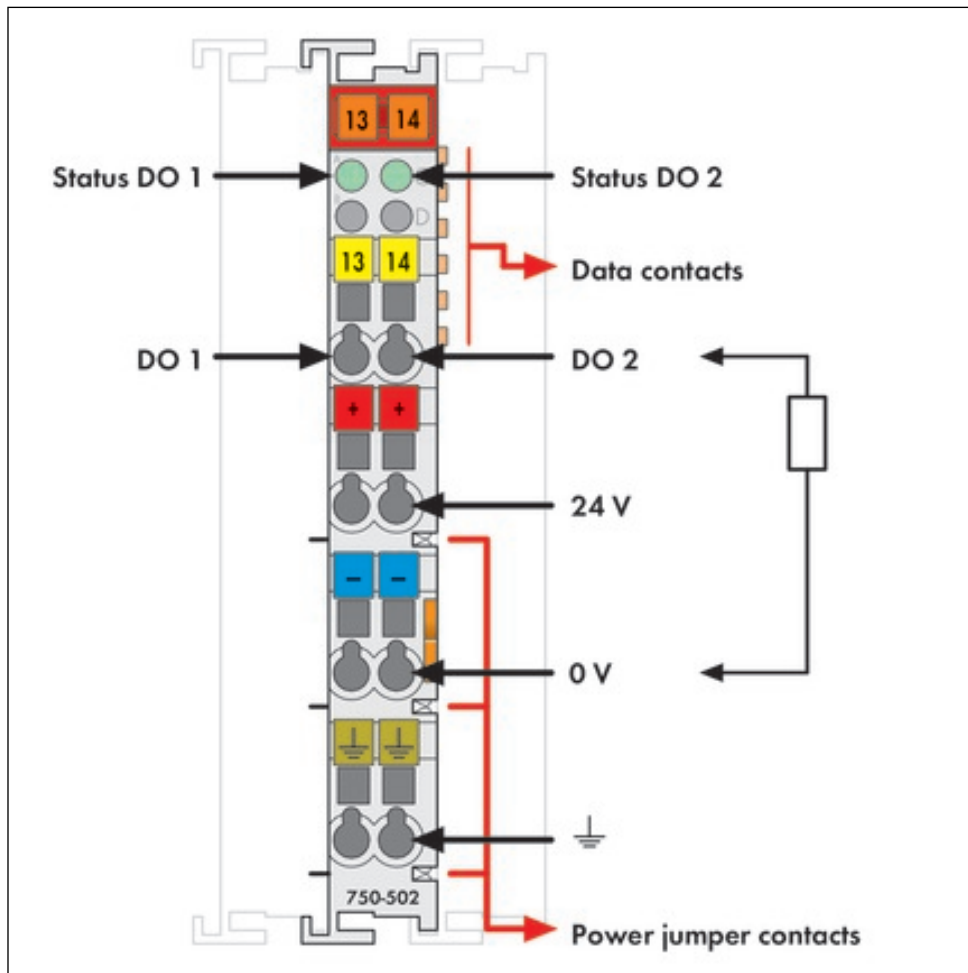
Miscellaneous

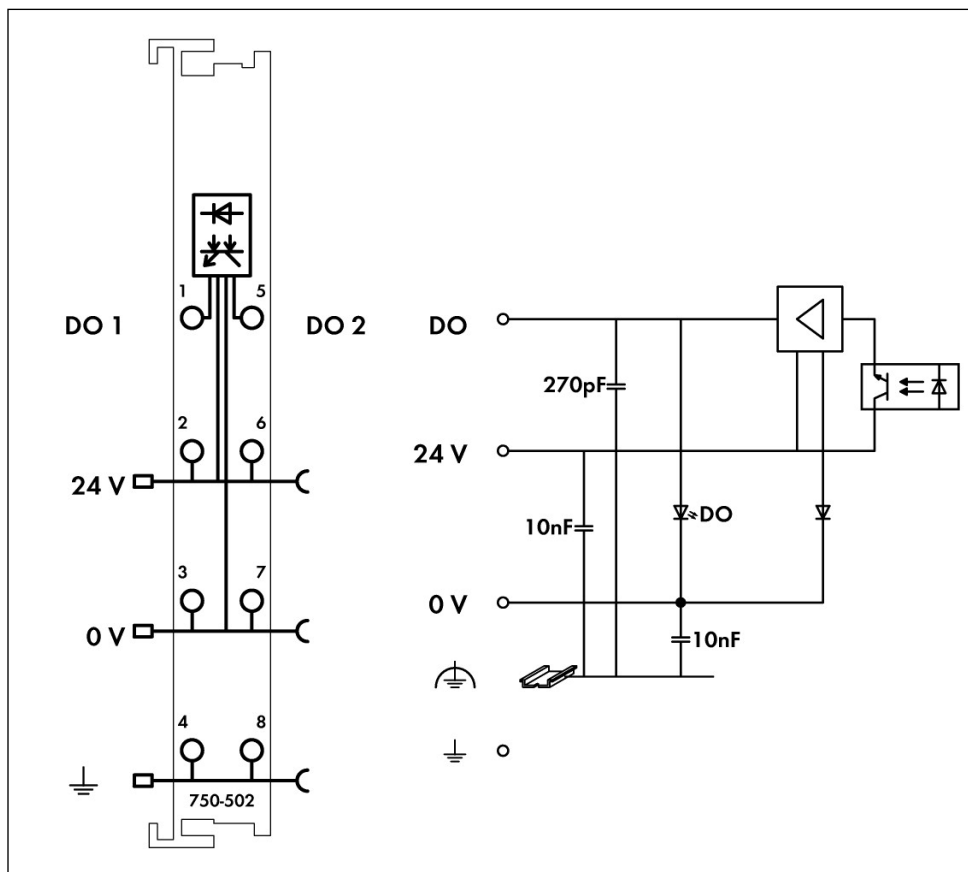
Color	light gray
Conformity marking	CE
No. of outputs	2
Isolation	500 V system/supply
Voltage via power jumper contacts	24 V DC (-25 % ... +30 %)

Technical data	
<i>Current consumption (internal) (3) [mA]</i>	3.5 [mA]
<i>Current consumption typ. (field side)</i>	15 mA / module + charge
<i>Output current (max.)</i>	2 A
<i>Type of load</i>	resistive, inductive, lamps
<i>Max. switching frequency</i>	2.5 kHz
<i>Short-circuit limitation (typ.) Pwm</i>	35 A (44 A peak)
<i>Inductive load switch off energy dissipation W (max.)</i>	1.7 J; $L_{max} = 2 \times W_{max} / I^2$
<i>Internal bit width</i>	2 bits
<i>Type of signal</i>	24 VDC
<i>Degree of protection</i>	IP20
<i>Connection technology</i>	CAGE CLAMP®
<i>Solid conductor</i>	0.08 ... 2.5 mm ² / 28 ... 14 AWG
<i>Fine-stranded conductor</i>	0.08 ... 2.5 mm ² / 28 ... 14 AWG
<i>Strip length</i>	8 ... 9 mm / 0.31 ... 0.35 Inch
<i>Fire load [MJ]</i>	1.153 [MJ]
<i>Weight [g]</i>	47.151 [g]
<i>Width</i>	12 mm / 0.472 Inch
<i>Height</i>	69.8 mm / 2.748 Inch
<i>Height from upper-edge of DIN-35 rail</i>	62.6 mm / 2.465 Inch
<i>Depth</i>	100 mm / 3.937 Inch
<i>Housing material</i>	Polycarbonat, Polyamid 6.6
<i>Storage temperature</i>	-25 °C ... +85 °C
<i>Relative air humidity (no condensation) [%]</i>	95 [%]
<i>Type of mounting</i>	DIN-35 x 15 carrier rail
<i>Operating temperature</i>	0°C ... +55°C
<i>Mounting position</i>	any
<i>Exposure to pollutants</i>	gemäß IEC 60068-2-42 und IEC 60068-2-43
<i>EMC emission of interference</i>	acc. to EN 61000-6-4, marine applications
<i>EMC immunity to interference</i>	acc. to EN 61000-6-2, marine applications
<i>Shock resistance</i>	acc. to IECacc. to IEC 60068-2-27
<i>Vibration resistance</i>	acc. to IECacc. to IEC 60068-2-6

Images & drawings







Address

WAGO Kontakttechnik GmbH & Co. KG

Hansastr. 27

32423 Minden

Telefon: 0571/887-0

Fax: 0571/887-169

<http://www.wago.com>

© WAGO Kontakttechnik GmbH & Co. KG

Technische Änderungen und Irrtümer vorbehalten.