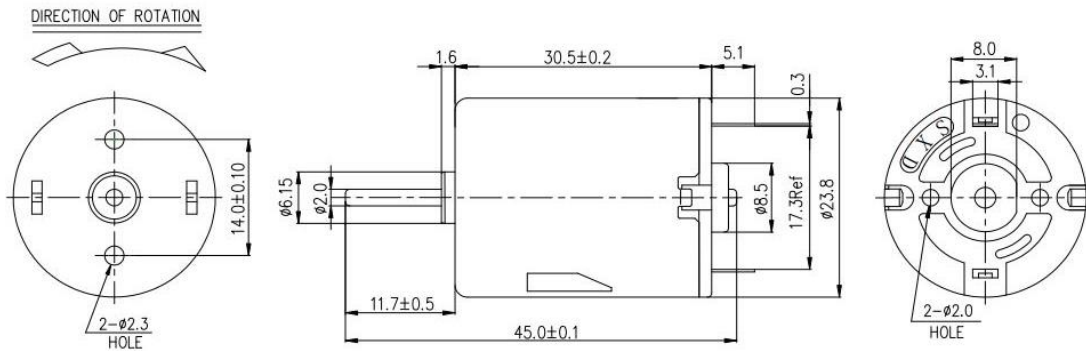


# DC MOTOR 6Vdc 250mA 14500rpm (2.5-6Vdc)



## Specifications

- voltage:
  - operating range: 2.5-6V
  - nominal: 6V
- no load:
  - speed: 14500rpm
  - current: 0.21A
- at max. efficiency:
  - speed: 12530rpm
  - current: 1.34A
  - torque: 46.2gcm
  - output: 5.94W
  - eff.: 74.1%
- stall torque: 340gcm
- dimensions (mm):
  - A: 10.1
  - B: 11.7
  - C: 30.5
  - D: Ø23.8
  - E: 45.0
  - F: Ø2.0
  - G: Ø6.15
  - H: 14.0
  - I: Ø2.30
  - J: Ø23.8
  - K: