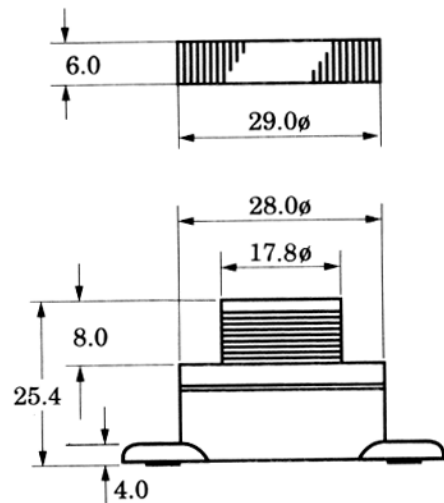
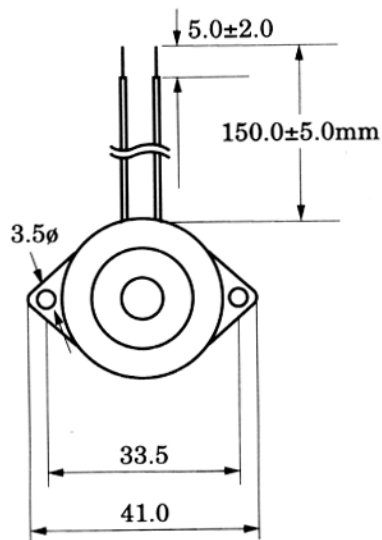


FEATURES:

- ▲ WITH TWO MOUNTING TYPE –FLANGE MOUNTING AND PANEL MOUNTING
- ▲ 3 DIFFERENT TONES AND COMBINATIONS ARE AVAILABLE
- ▲ SMALL SIZE WITH RICH SOUND OUTPUT

Model No	SEP-2250	SEP-2251	SEP-2253	SEP-2255	SEP-2257		
Oscillating Frequency (± 500 Hz)	3,500						
Operating Voltage (VDC)	3-28	4-28	4-28	3-28			
Sound Pressure Level at 30cm/12VDC (dB min)	85	82	87	85	87	85	87
Current Consumption at 12VDC (mA max)	6	5	6	5	6	5	6
Tone	Continuous	Fast Pulse	Solw Pulse	Continuous+ Fast Pulse	Continuous+ Slow Pulse		
Operating Temperature (C°)	-20°~60°						
Storage Temperature (C°)	-30°~70°						
Weight (Gram)	9.5	10.2					



Pulse Rate at 12 VDC:
 Fast pulse : 3.5 \pm 20% Hz
 Slow pulse : 1.2 \pm 20% Hz