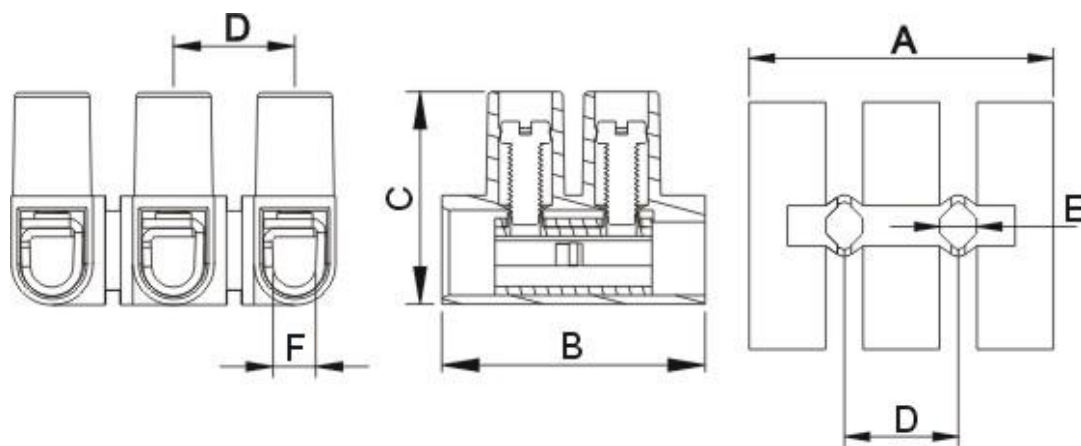
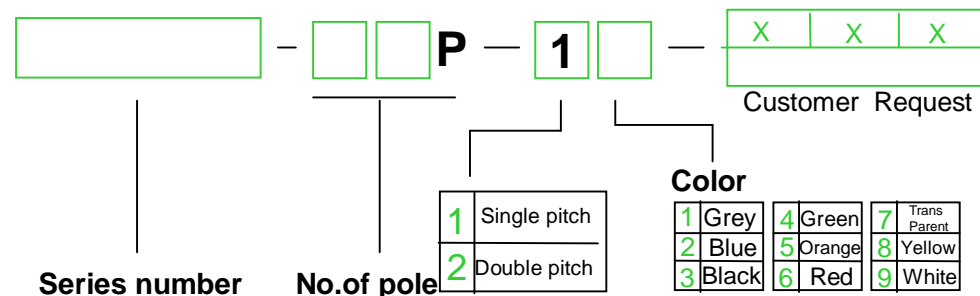


Model	Wire range	IEC (datasheet)		UL (datasheet)		Dimensions (mm/in.)						
		Rated current	Rated voltage	Rated current	Rated voltage	Unit	A	B	C	D	E	F
DG8US	0.5-4mm <sup>2</sup>	32A	450V	15A	300V	(mm)	95.70	17.80	14.15	8.20	↓2.65	2.90*3.40
DG10US	1.0-6.0mm <sup>2</sup>	41A	450V	20A	300V	(mm)	116.30	20.00	15.55	10.00	↓3.40	3.45*4.00
DG12US	2.5-10.0mm <sup>2</sup>	57A	750V	30A	600V	(mm)	134.30	23.40	17.65	11.50	↓3.40	4.25*4.70
DG15US	6.0-16.0mm <sup>2</sup>	76A	750V	50A	600V	(mm)	174.80	25.20	21.35	15.00	↓4.90	5.50*6.00

- ※ Housing material: PP UL94V-2
- ※ Current carrier: Steel, Steel, Cr<sup>3+</sup>Zn-plated
- ※ Screws: Steel, Cr<sup>3+</sup>Zn-plated
- ※ Ambient temperature: -40°C~T80°C
- ※ Poles available: 12P



### HOW TO ORDER :



		DEGSON ELECTRONICS CO., LTD.			
	NAME	DG8US	DG10US		
		DG12US	DG15US		