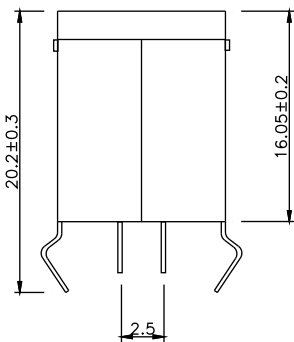
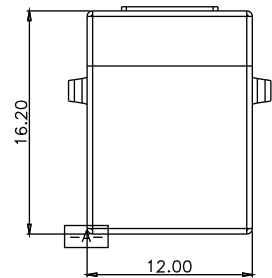
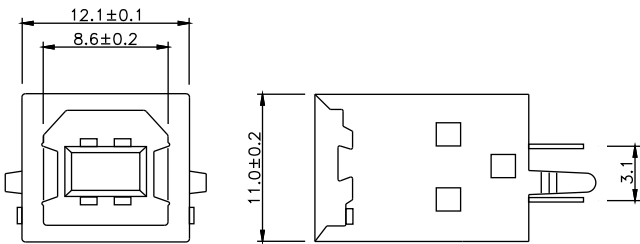


■ **Specifications**

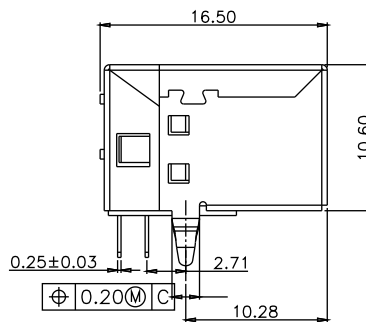
Current rating: 1.0AAC/DC
Voltage rating: 30V AC/DC
Contact resistance: 20m ohm. max.
Insulation resistance: 1000M ohm. Min.
Withstanding voltage: 750V AC for one minute
Operating temperature range: -40°C to +105°C

■ **Material and Finish**

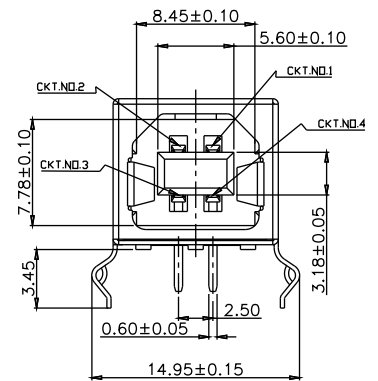
Insulator: High Temp. Plastic(UL94V-0)
Contact: Copper Alloy
Plating: Selective Gold Plated



P/N:5075BS-04-XX



P/N:5075BR-04-XX



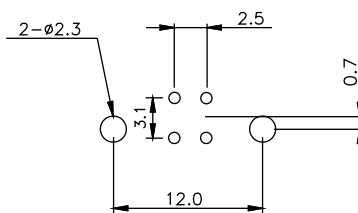
■ **Ordering Information**

5075BR-04-XX

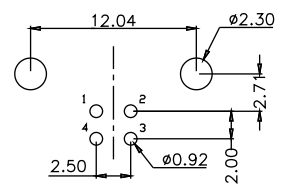
① ② ③

① BR: B Type R/A BS: B Type Straight	② No. Of Contacts
③ WH: White(Standard) BK: Black	

■ **Recommended PCB Layout**



P/N:5075BS-04-XX



P/N:5075BR-04-XX

Unit:mm