

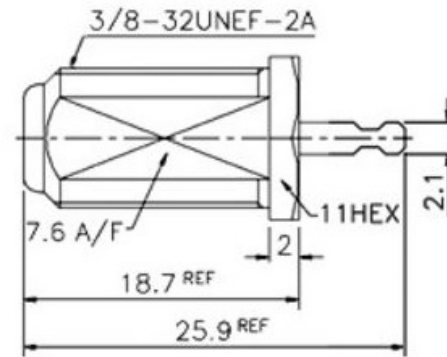
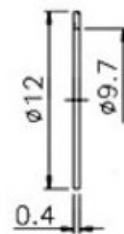
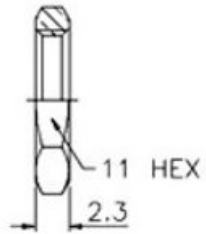


Item No. : M5634

RoHS : RoHS

Description :

F female bulkhead



Electrical Specifications

Connector series	Impedance	Frequency range	Voltage rating	Withstanding voltage	Contact resistance	Insulation resistance
F	75Ω	0 - 2 GHz	AC 250V	AC 500V one minute	5.0mΩ max	1000MΩ min at DC 500V