




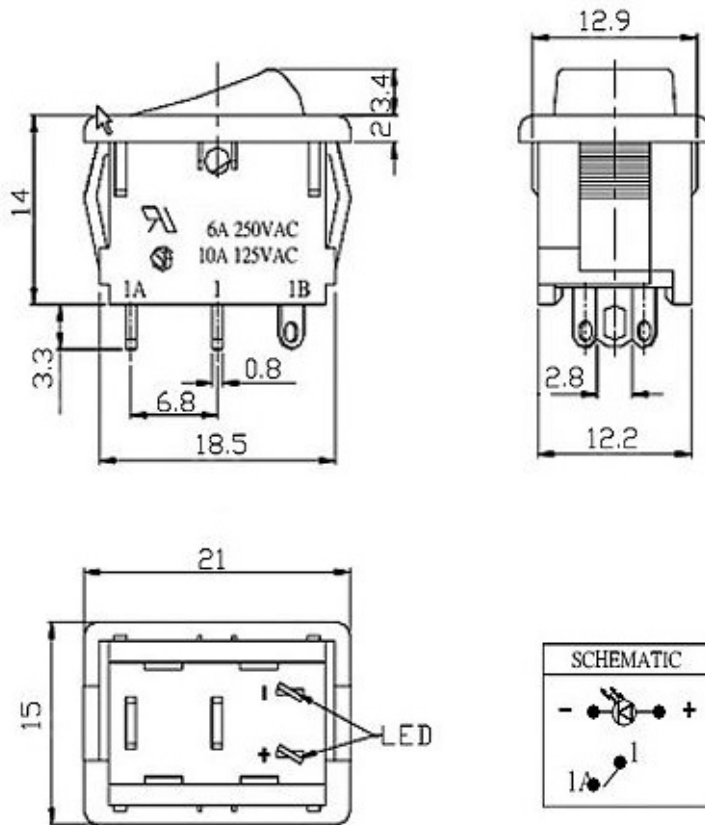
Item No. : B100K

RoHS :  RoHS

Description :

4P rocker switch (SPST)
 on-off W/LED
 125V 10A (250V 6A) W/approval

Approval:



Specifications

Contact rating : 10A 125VAC 6A 250VAC
 Contact resistance : 50mΩ Max
 Insulation resistance : DC 500V 500MΩ(Min)
 Dielectric strength : 1800V AC-1 minute
 Electric life : 10,000 cycles
 Operating force : 350 ± 150gram