



Fuse disconnect terminal block with pivoting fuse holder; for 5 x 20 mm miniature metric fuse; 15 - 30 V; with blown fuse indication by LED

Item No.: 281-611/281-541



Fuse disconnect terminal block with pivoting fuse holder; for 5 x 20 mm miniature metric fuse; 15 - 30 V; with blown fuse indication by LED

Marking

RoHS ✓
Compliant

Business data

Supplier	WAGO
Item no.	281-611/281-541
GTIN / EAN	4045454871451
Content	1
Order amount	50
Customer item number	

Notes

Safety information 1: Electrical ratings are given by the fuse and blown fuse indication.

Technical data

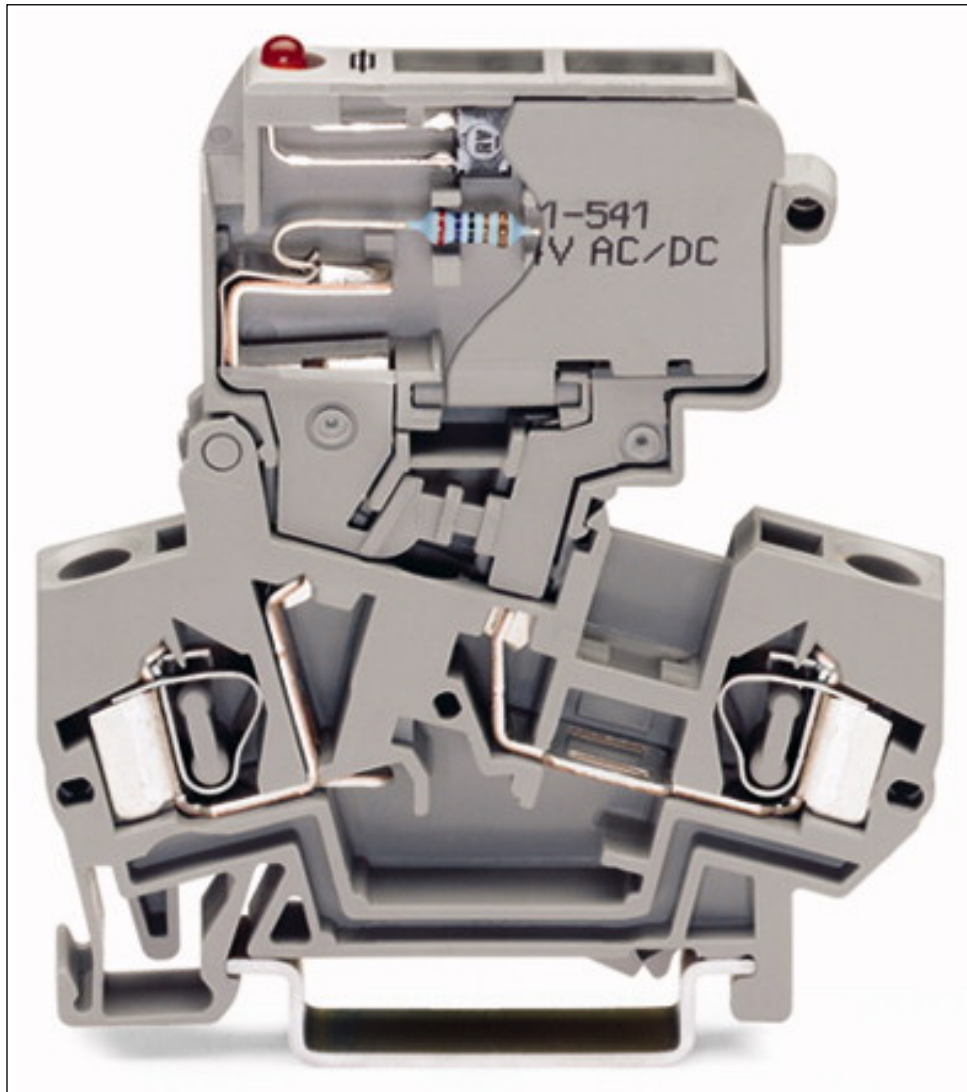
Miscellaneous

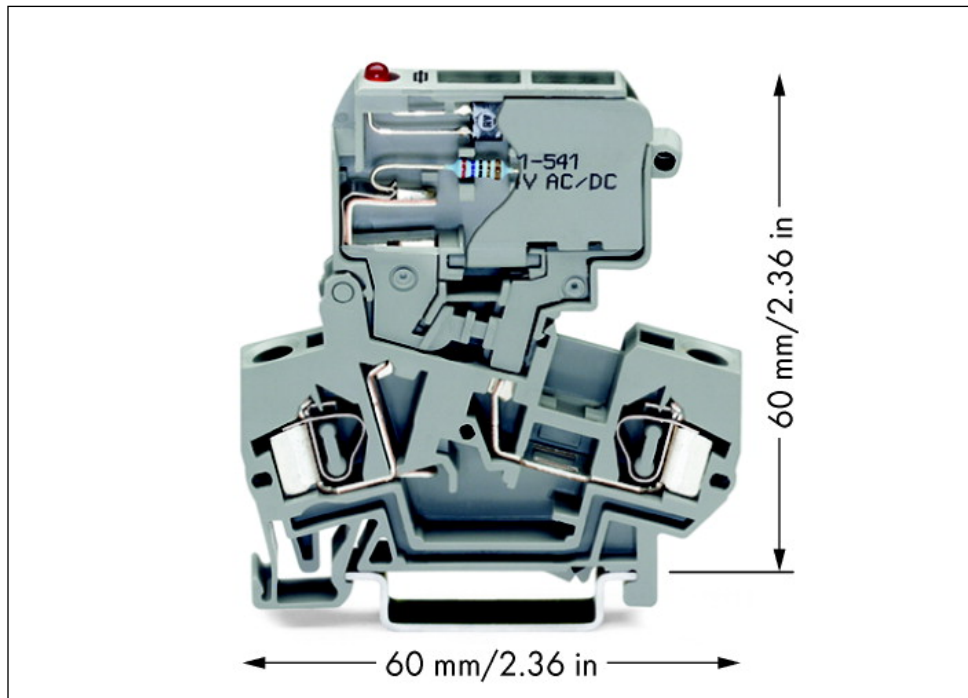
Total number of connection points	2
Total number of potentials	2
Color	gray
Ratings per	IEC/EN 60947-7-3

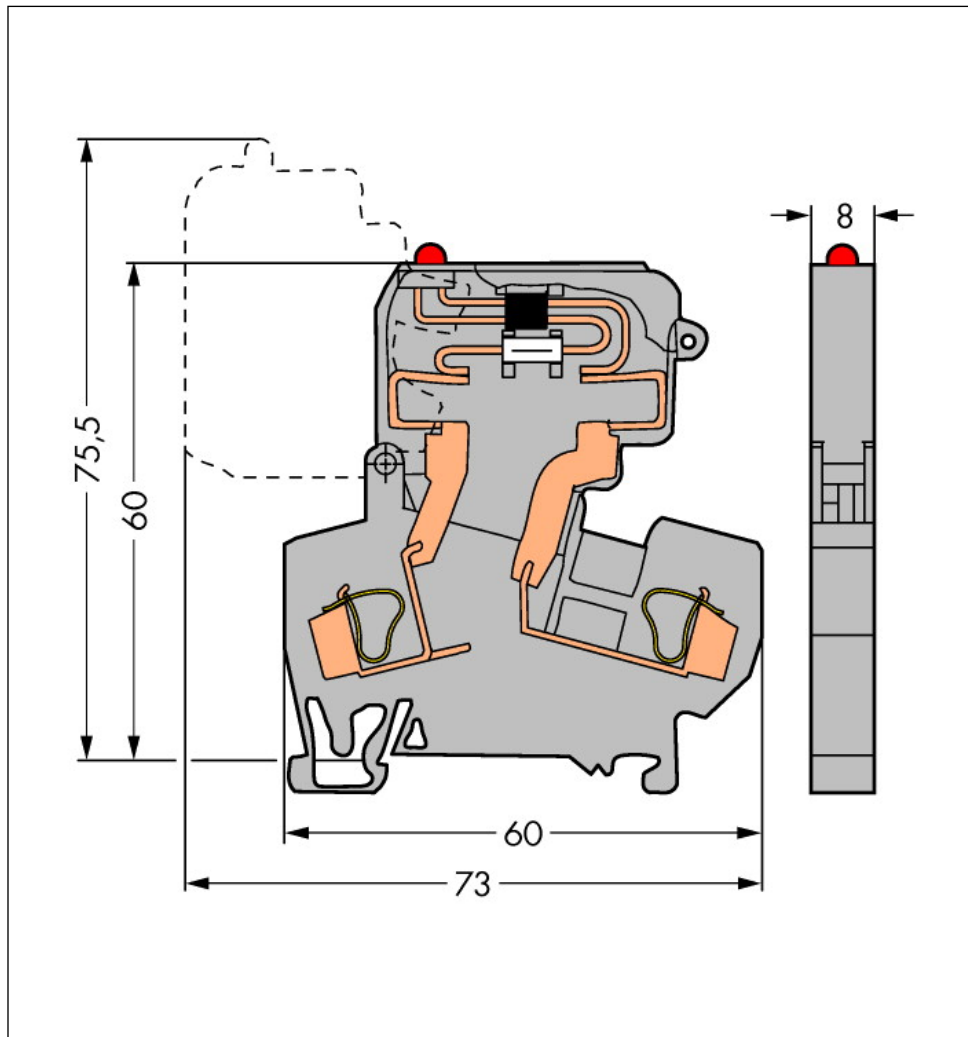
Printview: Fuse disconnect terminal block with pivoting fuse holder; for 5 x 20 mm miniature metric fuse; 15 - 30 V; with blown fuse indication by LED - Item No.: 281-611/281-541

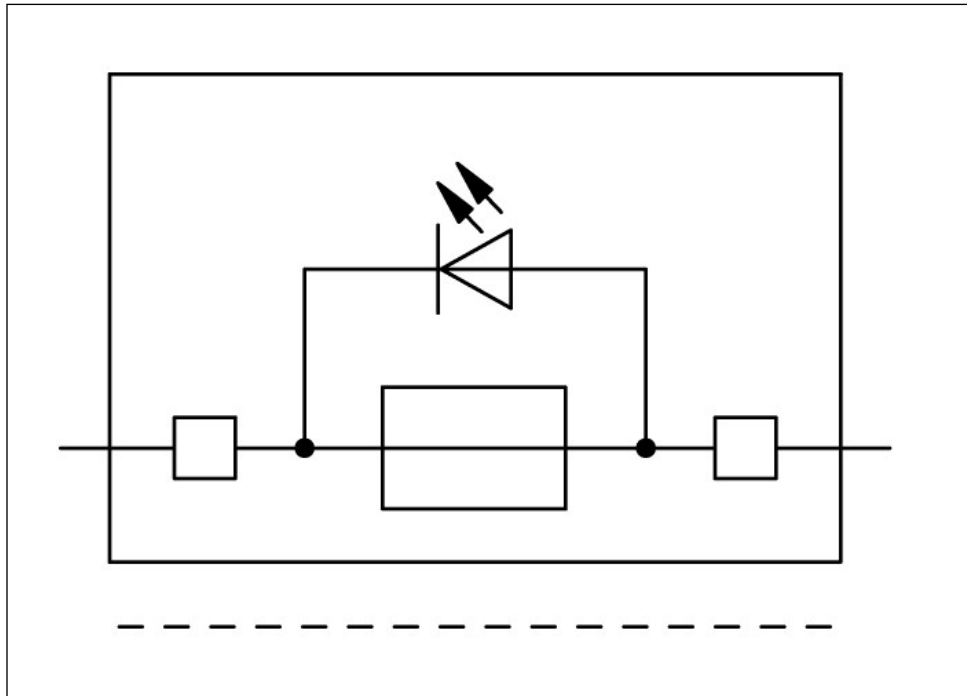
Technical data	
<i>Rated voltage (III / 3) [V]</i>	<i>800 [V]</i>
<i>Rated impulse voltage (III / 3) [kV]</i>	<i>8 [kV]</i>
<i>Rated current [A]</i>	<i>10 [A]</i>
<i>Number of levels</i>	<i>1</i>
<i>Connection technology</i>	<i>CAGE CLAMP®</i>
<i>Number of connection points connector</i>	<i>2</i>
<i>Actuation type</i>	<i>Operating tool</i>
<i>Connectable conductor materials</i>	<i>Copper</i>
<i>Solid conductors, tool-operated termination</i>	<i>0.08 ... 4 mm² / 28 ... 12 AWG</i>
<i>Fine-stranded conductors, tool-operated termination</i>	<i>0.08 ... 4 mm² / 28 ... 12 AWG</i>
<i>Strip length</i>	<i>9 ... 10 mm / 0.35 ... 0.39 inch</i>
<i>Type of wiring</i>	<i>Front-entry wiring</i>
<i>Design</i>	<i>angled</i>
<i>Marking level</i>	<i>Center marking</i>
<i>Insulating material</i>	<i>Polyamide 66 (PA 66)</i>
<i>Fire load [MJ]</i>	<i>0.336 [MJ]</i>
<i>Weight [g]</i>	<i>17.827 [g]</i>
<i>Width</i>	<i>8 mm / 0.315 in.</i>
<i>Height from upper-edge of DIN-35 rail</i>	<i>60 mm / 2.362 in.</i>
<i>Depth</i>	<i>60 mm / 2.362 in.</i>
<i>Type of mounting</i>	<i>DIN-35 rail</i>
<i>Safety information 2</i>	<i>Leakage current in case of blown fuse: LED 6mA</i>

Images & drawings









Address

WAGO Kontakttechnik GmbH & Co. KG

Hansastr. 27

32423 Minden

Telefon: 0571/887-0

Fax: 0571/887-169

<http://www.wago.com>

© WAGO Kontakttechnik GmbH & Co. KG

Technische Änderungen und Irrtümer vorbehalten.