



4-channel analog input; 0 ... 10 VDC; Single-ended

Item No.: 750-468



4-channel analog input; 0 ... 10 VDC; Single-ended

Marking

RoHS ✓
Compliant

Business data

Supplier	WAGO
Item no.	750-468
GTIN / EAN	4045454393045
Content	1
Order amount	1
Customer item number	

Notes

Item description: The analog input module receives signals with the standardized values of 0-10V. The input signal is electrically isolated and will be transmitted with a resolution of 12 bits. The internal system voltage supply is used for the power supply of the module. The input channels of a module have one common ground potential. The shield (screen) is directly connected to the DIN rail.

Technical data

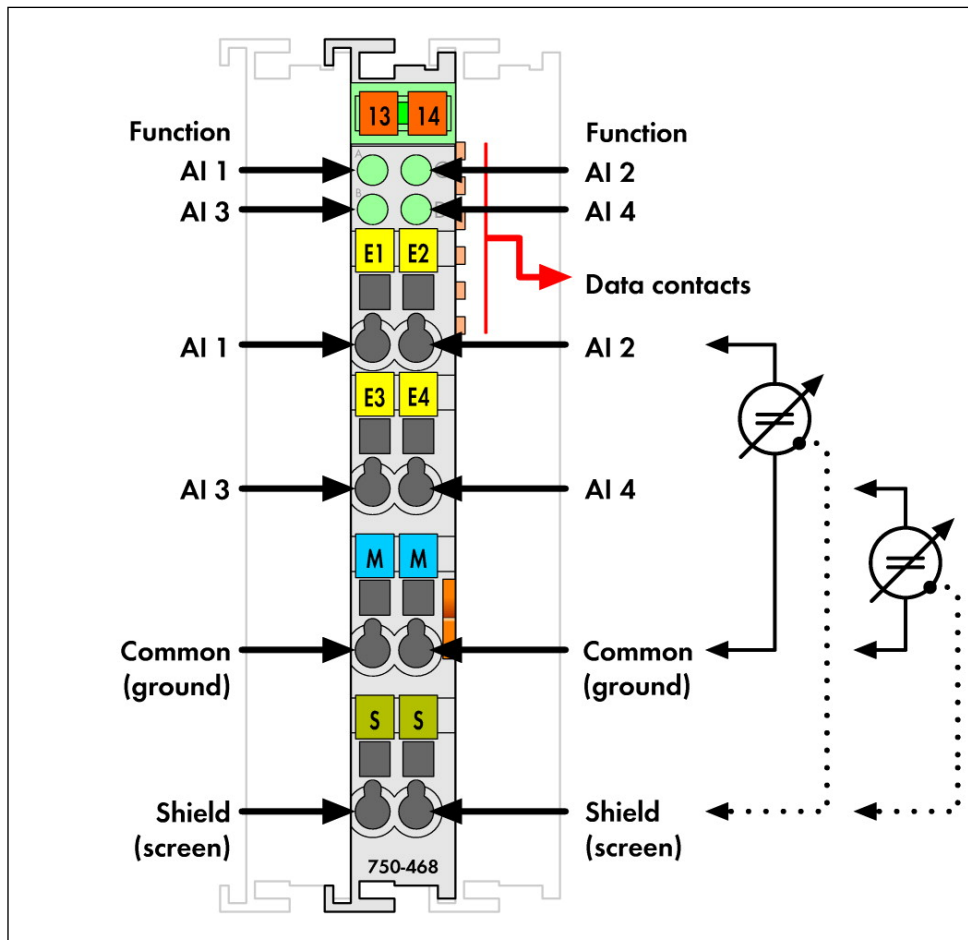
Miscellaneous

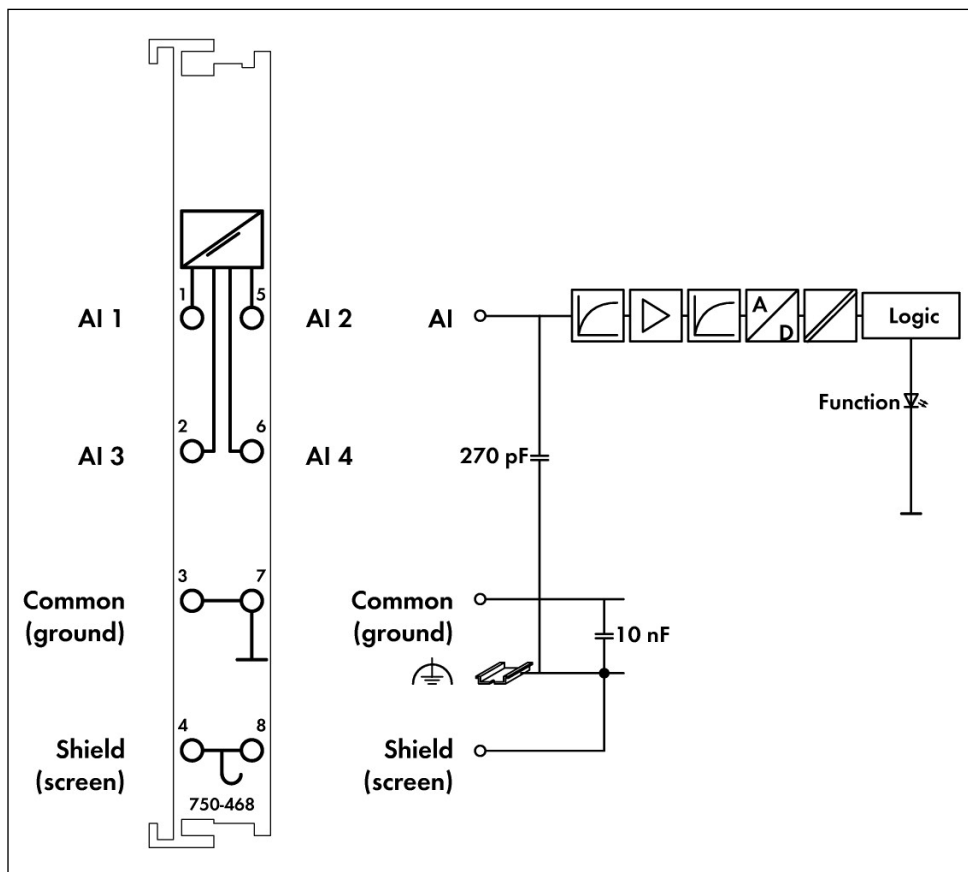
Color	light gray
Conformity marking	CE
Number of inputs	4

Technical data	
Power supply	via system voltage DC/DC
Isolation	500 V system/supply
Current consumption typ. (internal) [mA]	60 [mA]
Input voltage (max.)	35V
Signal voltage	0 ... 10 V
Internal resistance	133 k
Resolution	12 bits
Conversion time (typ.) [ms]	4 [ms]
Measuring error (25 °C)	± 0.2 % of the full scale value
Temperature coefficient	< ± 0.01 % / K of the full scale value
Bit width	4 x 16-bit data; 4 x 8-bit control/status (optional)
Type of signal	0 ... 10 VDC
Degree of protection	IP20
Connection technology	CAGE CLAMP®
Solid conductor	0.08 ... 2.5 mm ² / 28 ... 14 AWG
Fine-stranded conductor	0.08 ... 2.5 mm ² / 28 ... 14 AWG
Strip length	8 ... 9 mm / 0.31 ... 0.35 Inch
Fire load [MJ]	1.107 [MJ]
Weight [g]	50 [g]
Width	12 mm / 0.472 Inch
Height	69.8 mm / 2.748 Inch
Height from upper-edge of DIN-35 rail	62.6 mm / 2.465 Inch
Depth	100 mm / 3.937 Inch
Storage temperature	-25 °C ... +85 °C
Relative air humidity (no condensation) [%]	95 [%]
Type of mounting	DIN-35 x 15 carrier rail
Operating temperature	0°C ... +55°C
EMC emission of interference	acc. to EN 61000-6-4, marine applications
EMC immunity to interference	acc. to EN 61000-6-2, marine applications
Shock resistance	acc. to IECacc. to IEC 60068-2-27
Vibration resistance	acc. to IECacc. to IEC 60068-2-6

Images & drawings







Address

WAGO Kontakttechnik GmbH & Co. KG

Hansastr. 27

32423 Minden

Telefon: 0571/887-0

Fax: 0571/887-169

<http://www.wago.com>

© WAGO Kontakttechnik GmbH & Co. KG

Technische Änderungen und Irrtümer vorbehalten.