

## 54161/DM54161A/DM74161A DM54163A/DM74163A Synchronous 4-Bit Counters

### General Description

These synchronous, presettable counters feature an internal carry look-ahead for application in high-speed counting designs. The 161A and 163A are 4-bit binary counters. The carry output is decoded by means of a NOR gate, thus preventing spikes during the normal counting mode of operation. Synchronous operation is provided by having all flip-flops clocked simultaneously so that the outputs change coincident with each other when so instructed by the count-enable inputs and internal gating. This mode of operation eliminates the output counting spikes which are normally associated with asynchronous (ripple clock) counters. A buffered clock input triggers the four flip-flops on the rising (positive-going) edge of the clock input waveform.

These counters are fully programmable; that is, the outputs may be preset to either level. As presetting is synchronous, setting up a low level at the load input disables the counter and causes the outputs to agree with the setup data after the next clock pulse, regardless of the levels of the enable input. Low-to-high transitions at the load input of the 161A and 163A are perfectly acceptable, regardless of the logic levels on the clock or enable inputs. The clear function for the 161A is asynchronous; and a low level at the clear input sets all four of the flip-flop outputs low, regardless of the levels of clock, load, or enable inputs. The clear function for the 163A is synchronous; and a low level at the clear input sets all four of the flip-flop outputs low after the next clock pulse, regardless of the levels of the enable inputs. This synchronous clear allows the count length to be modified easily, as decoding the maximum count desired can be accomplished with one external NAND gate. The gate out-

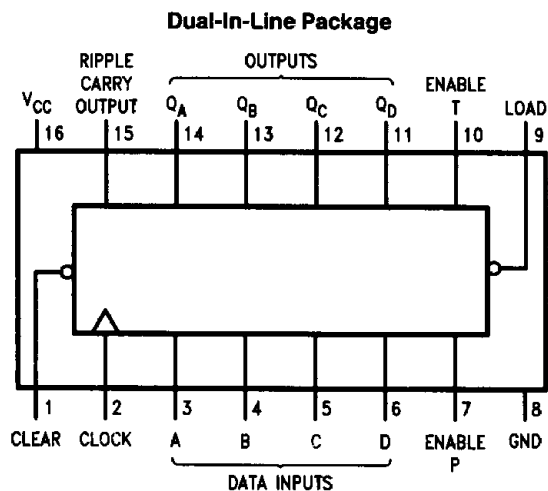
put is connected to the clear input to synchronously clear the counter to all low outputs. Low-to-high transitions at the clear input of the 163A are also permissible, regardless of the logic levels on the clock, enable, or load inputs.

The carry look-ahead circuitry provides for cascading counters for n-bit synchronous applications without additional gating. Instrumental in accomplishing this function are two count-enable inputs and a ripple carry output. Both count-enable inputs (P and T) must be high to count, and input T is fed forward to enable the ripple carry output. The ripple carry output thus enabled will produce a high-level output pulse with a duration approximately equal to the high-level portion of the  $Q_A$  output. This high-level overflow ripple carry pulse can be used to enable successive cascaded stages. High-to-low-level transitions at the enable P or T inputs of the 161A through 163A may occur, regardless of the logic level on the clock.

### Features

- Synchronously programmable
- Internal look-ahead for fast counting
- Carry output for n-bit cascading
- Synchronous counting
- Load control line
- Diode-clamped inputs
- Alternate Military/Aerospace device (54161) is available. Contact a National Semiconductor Sales Office/Distributor for specifications.

### Connection Diagram



Order Number 54161DMQB, 54161FMQB, DM54161AJ, DM54161AW,  
DM54163AJ, DM54163AW, DM74161AN or DM74163AN  
See NS Package Number J16A, N16E or W16A

## Absolute Maximum Ratings (Note)

If Military/Aerospace specified devices are required, please contact the National Semiconductor Sales Office/Distributors for availability and specifications.

Supply Voltage	7V
Input Voltage	5.5V
Operating Free Air Temperature Range	
DM54 and 54	−55°C to +125°C
DM74	0°C to +70°C
Storage Temperature Range	−65°C to +150°C

Note: The "Absolute Maximum Ratings" are those values beyond which the safety of the device cannot be guaranteed. The device should not be operated at these limits. The parametric values defined in the "Electrical Characteristics" table are not guaranteed at the absolute maximum ratings. The "Recommended Operating Conditions" table will define the conditions for actual device operation.

## Recommended Operating Conditions

Symbol	Parameter		DM54161A and 163A			DM74161A and 163A			Units
			Min	Nom	Max	Min	Nom	Max	
V <sub>CC</sub>	Supply Voltage		4.5	5	5.5	4.75	5	5.25	V
V <sub>IH</sub>	High Level Input Voltage		2			2			V
V <sub>IL</sub>	Low Level Input Voltage				0.8			0.8	V
I <sub>OH</sub>	High Level Output Current				−0.8			−0.8	mA
I <sub>OL</sub>	Low Level Output Current				16			16	mA
f <sub>CLK</sub>	Clock Frequency (Note 6)		0		25	0		25	MHz
t <sub>w</sub>	Pulse Width (Note 6)	Clock	25			25			ns
		Clear	20			20			
t <sub>su</sub>	Setup Time (Note 6)	Data	20			20			ns
		Enable P	34			34			
		Load	25			25			
		Clear (Note 5)	20			20			
t <sub>H</sub>	Hold Time (Note 6)		0			0			ns
T <sub>A</sub>	Free Air Operating Temperature		−55		125	0		70	°C

## Electrical Characteristics

Over recommended operating free air temperature range (unless otherwise noted)

Symbol	Parameter	Conditions	Min	Typ (Note 1)	Max	Units
V <sub>I</sub>	Input Clamp Voltage	V <sub>CC</sub> = Min, I <sub>I</sub> = −12 mA			−1.5	V
V <sub>OH</sub>	High Level Output Voltage	V <sub>CC</sub> = Min, I <sub>OH</sub> = Max V <sub>IL</sub> = Max, V <sub>IH</sub> = Min	2.4	3.4		V
V <sub>OL</sub>	Low Level Output Voltage	V <sub>CC</sub> = Min, I <sub>OL</sub> = Max V <sub>IH</sub> = Min, V <sub>IL</sub> = Max		0.2	0.4	V
I <sub>I</sub>	Input Current @ Max Input Voltage	V <sub>CC</sub> = Max, V <sub>I</sub> = 5.5V			1	mA
I <sub>IH</sub>	High Level Input Current	V <sub>CC</sub> = Max V <sub>I</sub> = 2.4V	Enable T		80	μA
			Clock		80	
			Others		40	
I <sub>IL</sub>	Low Level Input Current	V <sub>CC</sub> = Max V <sub>I</sub> = 0.4V	Enable T		−3.2	mA
			Clock		−3.2	
			Others		−1.6	

## Electrical Characteristics

Over recommended operating free air temperature range (unless otherwise noted) (Continued)

Symbol	Parameter	Conditions	Min	Typ (Note 1)	Max	Units
I <sub>OS</sub>	Short Circuit Output Current	V <sub>CC</sub> = Max (Note 2)	DM54	-20	-57	mA
			DM74	-20	-57	
I <sub>COH</sub>	Supply Current with Outputs High	V <sub>CC</sub> = Max (Note 3)	DM54	59	85	mA
			DM74	59	94	
I <sub>OCL</sub>	Supply Current with Outputs Low	V <sub>CC</sub> = Max (Note 4)	DM54	63	91	mA
			DM74	63	101	

**Note 1:** All typicals are at V<sub>CC</sub> = 5V, T<sub>A</sub> = 25°C.

**Note 2:** Not more than one output should be shorted at a time.

**Note 3:** I<sub>COH</sub> is measured with the LOAD high, then again with the LOAD low, with all inputs high and all outputs open.

**Note 4:** I<sub>OCL</sub> is measured with the CLOCK high, then again with the CLOCK input low, with all inputs low and all outputs open.

**Note 5:** Applies to '163A which has synchronous clear inputs.

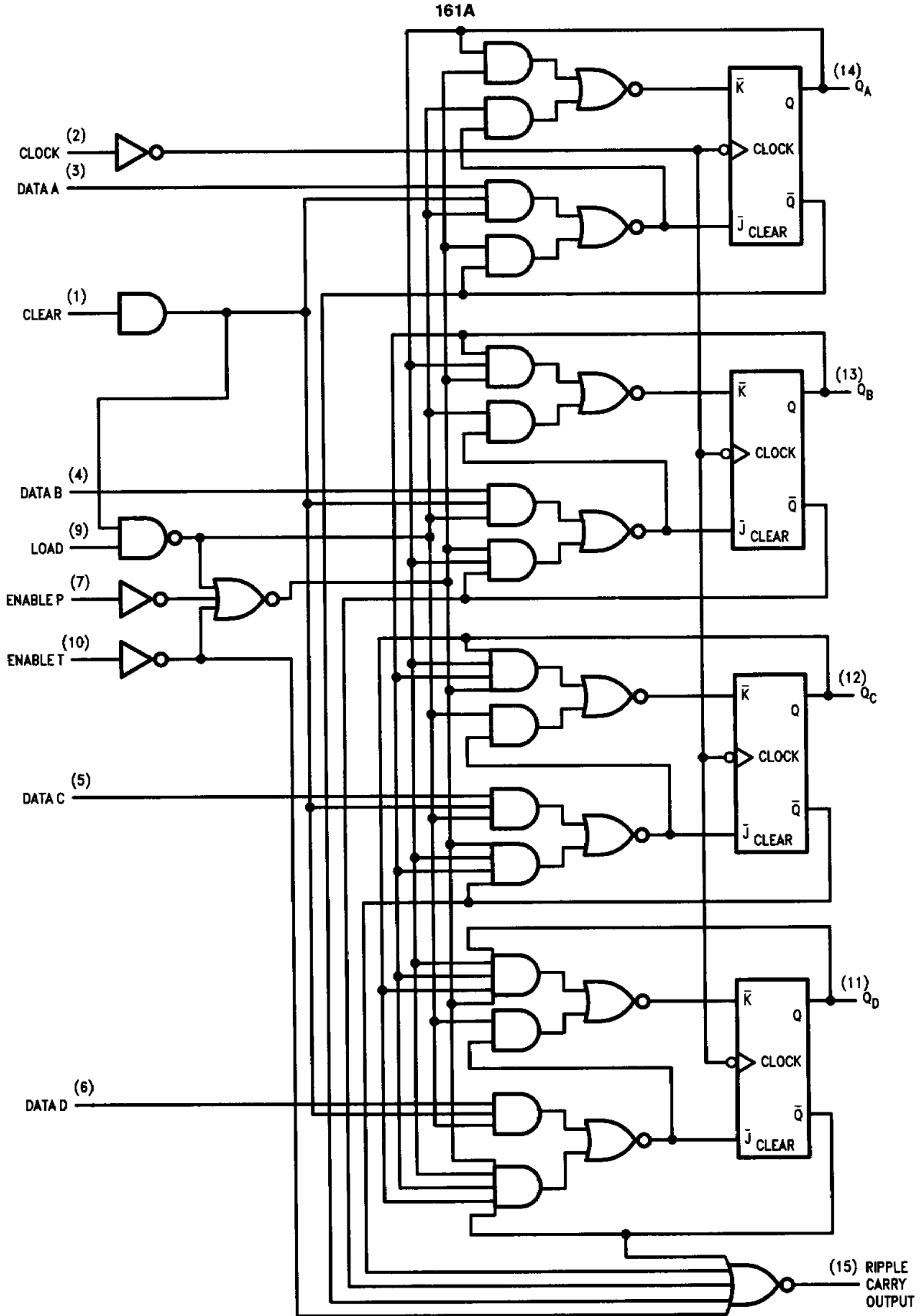
**Note 6:** T<sub>A</sub> = 25°C and V<sub>CC</sub> = 5V.

## Switching Characteristics at V<sub>CC</sub> = 5V and T<sub>A</sub> = 25°C (See Section 1 for Test Waveforms and Output Load)

Symbol	Parameter	From (Input) To (Output)	R <sub>L</sub> = 400Ω, C <sub>L</sub> = 15 pF		Units
			Min	Max	
f <sub>MAX</sub>	Maximum Clock Frequency		25		MHz
t <sub>PLH</sub>	Propagation Delay Time Low to High Level Output	Clock to Ripple Carry		27	ns
t <sub>PHL</sub>	Propagation Delay Time High to Low Level Output	Clock to Ripple Carry		24	ns
t <sub>PLH</sub>	Propagation Delay Time Low to High Level Output	Clock (Load High) to Q		20	ns
t <sub>PHL</sub>	Propagation Delay Time High to Low Level Output	Clock (Load High) to Q		32	ns
t <sub>PLH</sub>	Propagation Delay Time Low to High Level Output	Clock (Load Low) to Q		21	ns
t <sub>PHL</sub>	Propagation Delay Time High to Low Level Output	Clock (Load Low) to Q		32	ns
t <sub>PLH</sub>	Propagation Delay Time Low to High Level Output	Enable T to Ripple Carry		16	ns
t <sub>PHL</sub>	Propagation Delay Time High to Low Level Output	Enable T to Ripple Carry		16	ns
t <sub>PHL</sub>	Propagation Delay Time High to Low Level Output	Clear (Note 7) to Q		36	ns

**Note 7:** Propagation delay for clearing is measured from the clear input for the 161A or from the clock input transition for the 163A.

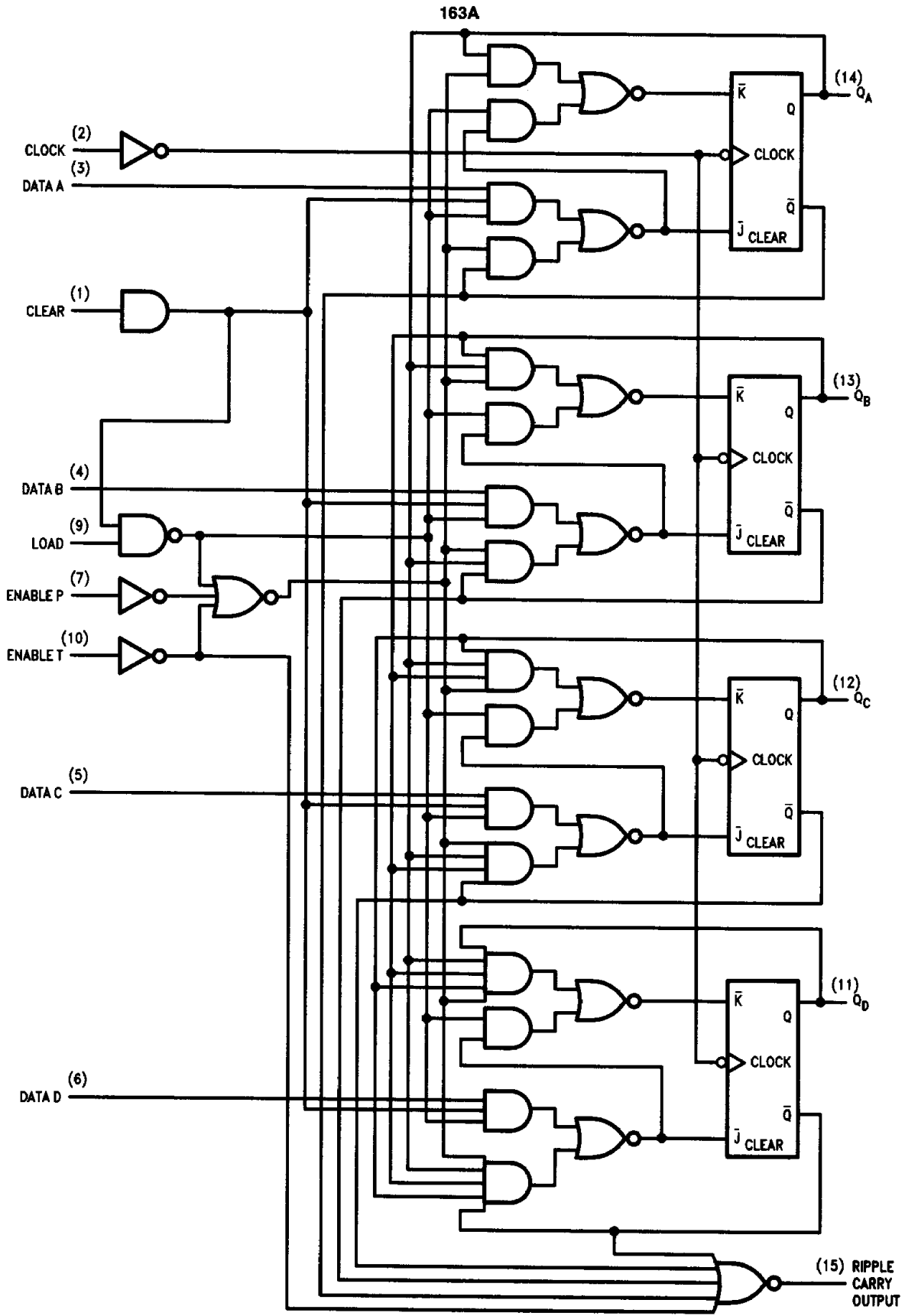
Logic Diagrams



TL/F/6551-3

Logic Diagrams (Continued)

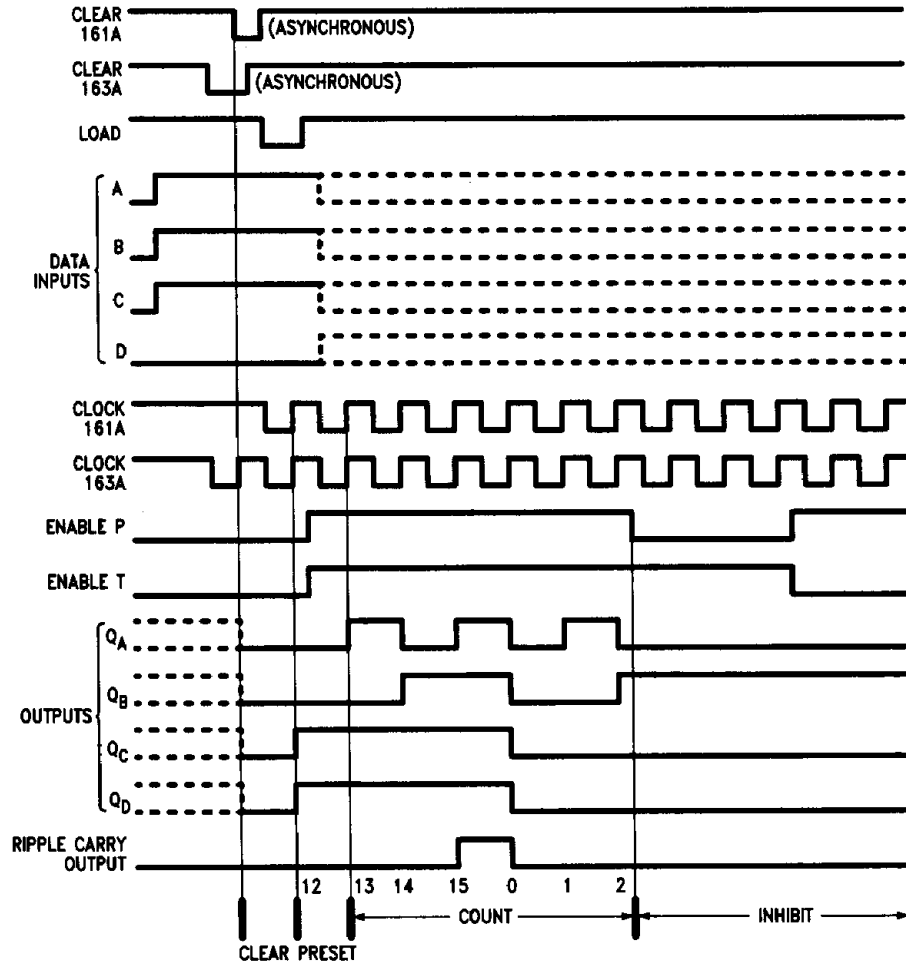
161A • 163A



TL/F/8551-8

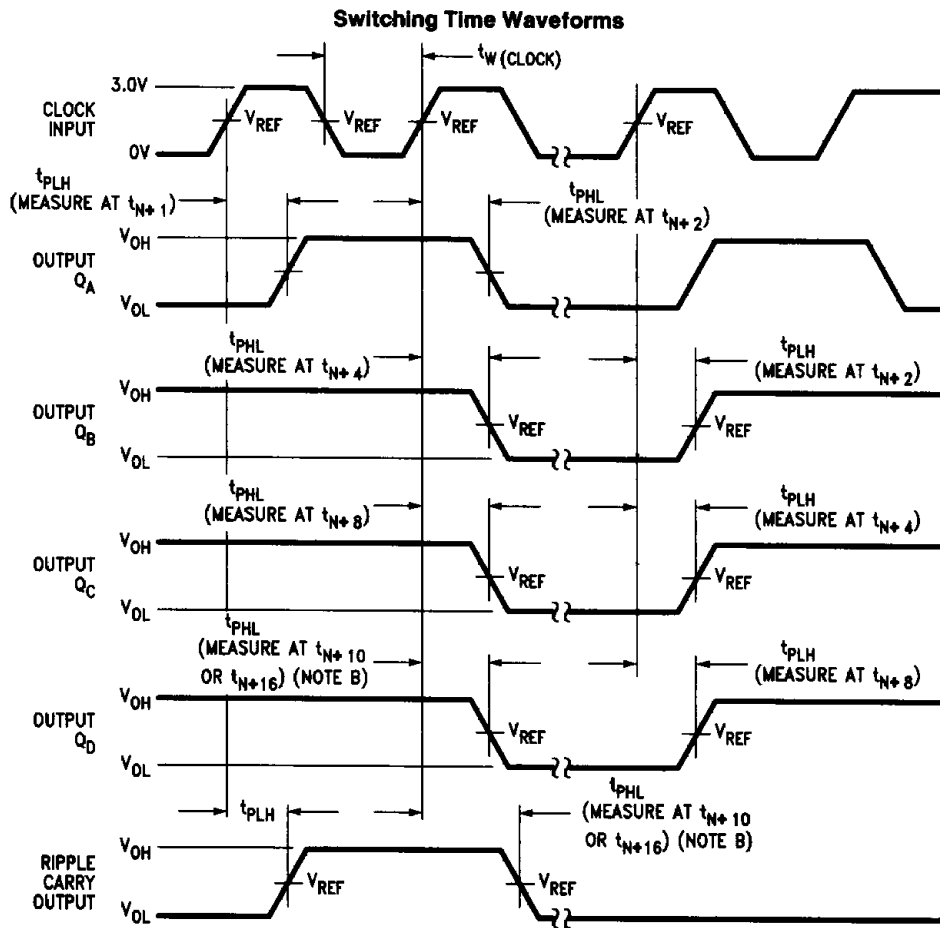
**Logic Diagrams** (Continued)

**161A, 163A Synchronous Binary Counters**  
**Typical Clear, Preset, Count and Inhibit Sequences**



TL/F/6551-5

# Parameter Measurement Information



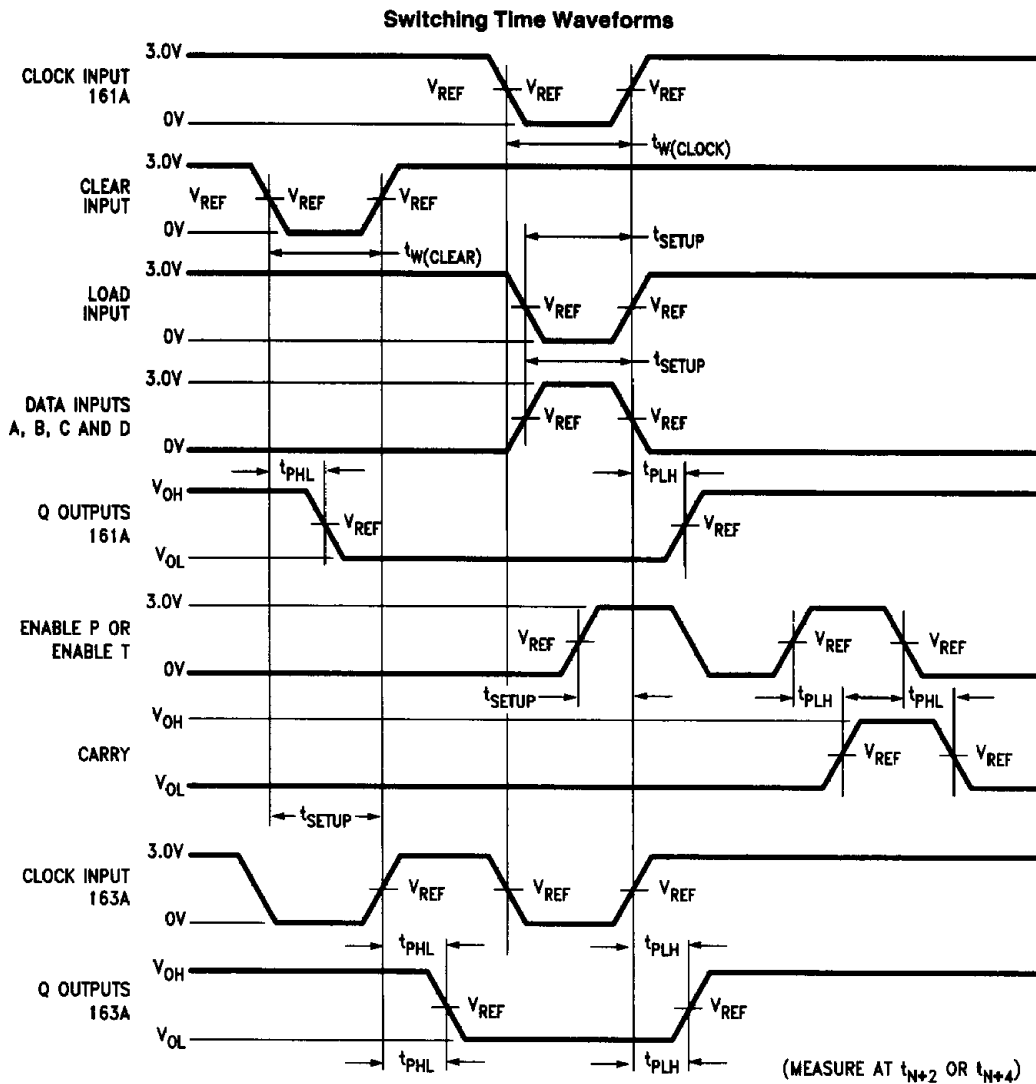
TL/F/6551-6

**Note A:** The input pulses are supplied by generators having the following characteristics: PRR  $\leq$  1 MHz, duty cycle  $\leq$  50%,  $Z_{OUT} \approx 50\Omega$ . For 161A and 163A,  $t_r \leq 10$  ns,  $t_f \leq 10$  ns. Vary PRR to measure  $t_{MAX}$ .

**Note B:** Outputs  $Q_D$  and carry are tested at  $t_{N+16}$  for 161A, 163A where  $t_n$  is the bit time when all outputs are low.

**Note C:** For 161A and 163A,  $V_{REF} = 1.5V$ .

Parameter Measurement Information (Continued)



TL/F/6551-7

**Note A:** The input pulses are supplied by generators having the following characteristics: PRR  $\leq$  1 MHz, duty cycle  $\leq$  50%,  $Z_{OUT} \approx 50\Omega$ . For 161A and 163A,  $t_r \leq 10$  ns,  $t_f \leq 10$  ns. Vary PRR to measure  $t_{MAX}$ .

**Note B:** Enable P and enable T setup times are measured at  $t_{n+0}$ .

**Note C:** For 161A and 163A,  $V_{REF} = 1.5V$ .