



## 4-channel digital input; 24 VDC; 3 ms

Item No.: 750-402



4-channel digital input; 24 VDC; 3 ms

### Marking

RoHS   
Compliant

### Business data

Supplier	WAGO
Item no.	750-402
GTIN / EAN	4045454392598
Content	1
Order amount	1
Customer item number	

### Notes

*Item description:* This digital input module receives control signals from digital field devices (e.g., sensors). Each input module has a noise-rejection filter. This filter is available with different time constants. Field and system levels are electrically isolated.

### Technical data

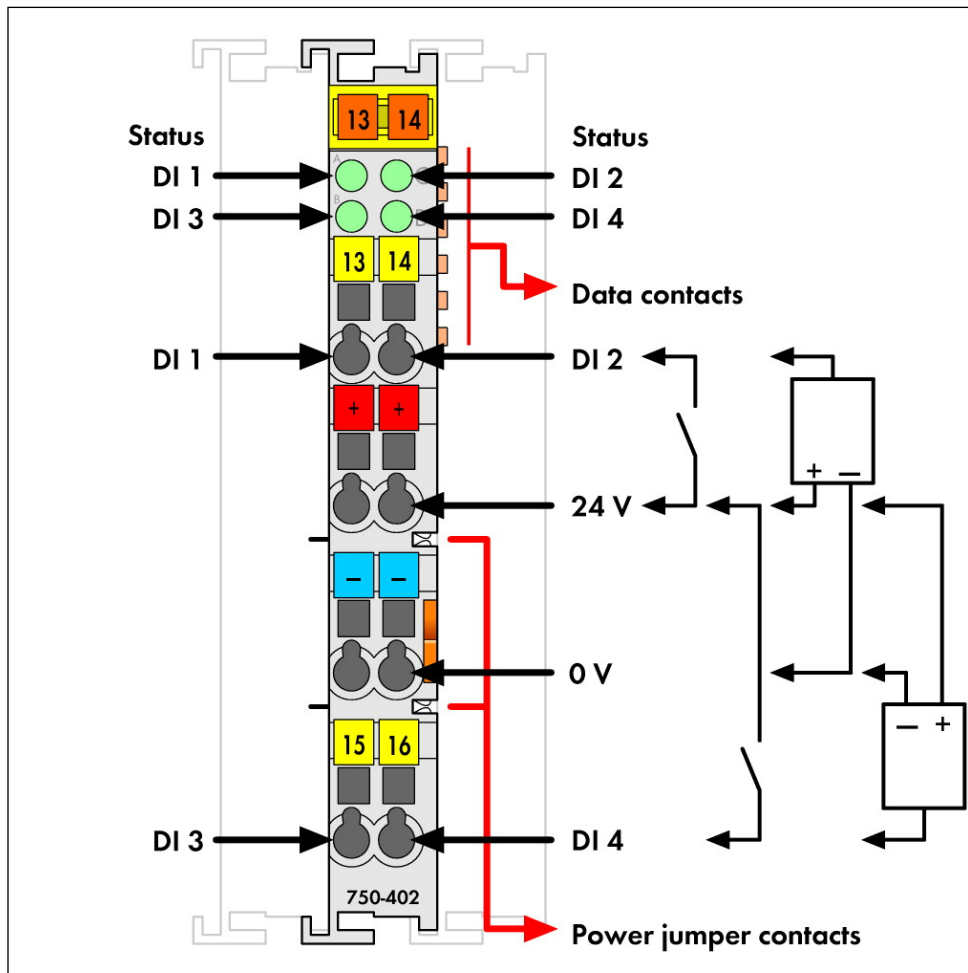
#### Miscellaneous

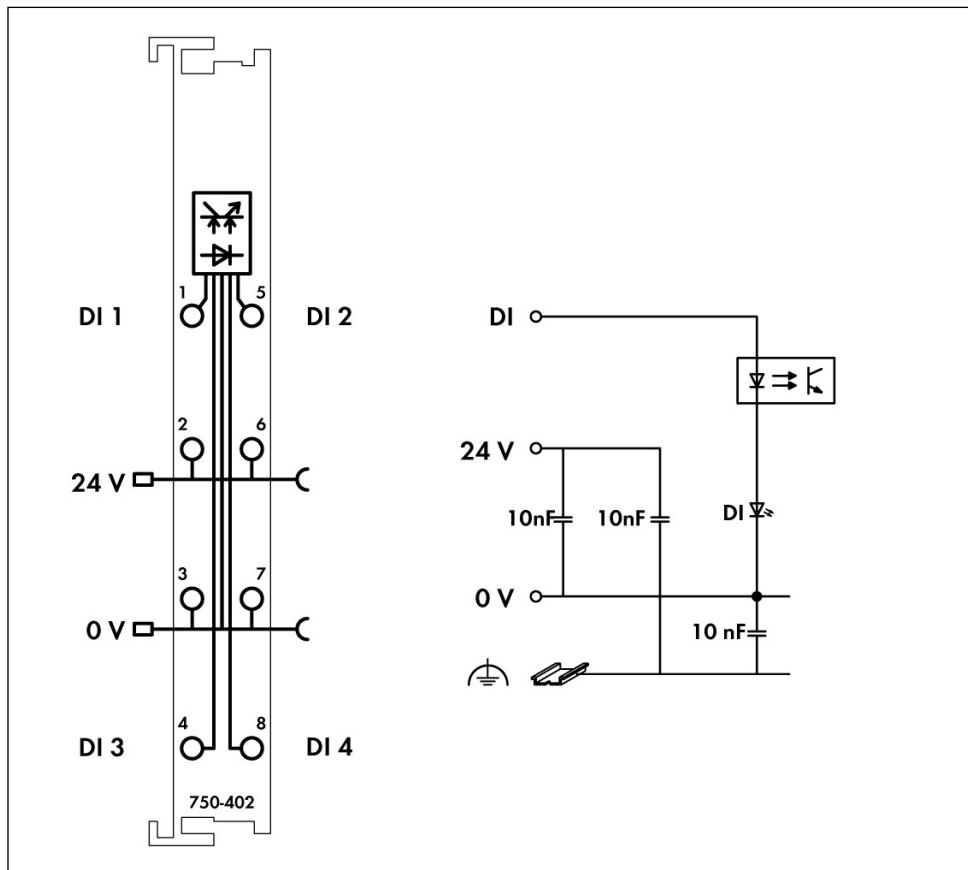
Color	light gray
Conformity marking	CE
Number of inputs	4
Isolation	500 V system/supply

<b>Technical data</b>	
<i>Voltage via power jumper contacts</i>	24 V DC (-25 % ... +30 %)
<i>Current consumption (internal) (3) [mA]</i>	7.5 [mA]
<i>Signal voltage (0)</i>	-3 V ... +5 V DC
<i>Signal voltage (1)</i>	15 V ... 30 V DC
<i>Input filter</i>	3.0 ms
<i>Input current (typ.)</i>	4.5 mA
<i>Internal bit width</i>	4 bits
<i>Type of signal</i>	24 VDC
<i>Degree of protection</i>	IP20
<i>Connection technology</i>	CAGE CLAMP®
<i>Solid conductor</i>	0.08 ... 2.5 mm <sup>2</sup> / 28 ... 14 AWG
<i>Fine-stranded conductor</i>	0.08 ... 2.5 mm <sup>2</sup> / 28 ... 14 AWG
<i>Strip length</i>	8 ... 9 mm / 0.31 ... 0.35 Inch
<i>Fire load [MJ]</i>	1.159 [MJ]
<i>Weight [g]</i>	46.849 [g]
<i>Width</i>	12 mm / 0.472 Inch
<i>Height</i>	69.8 mm / 2.748 Inch
<i>Height from upper-edge of DIN-35 rail</i>	62.6 mm / 2.465 Inch
<i>Depth</i>	100 mm / 3.937 Inch
<i>Housing material</i>	Polycarbonat, Polyamid 6.6
<i>Storage temperature</i>	-25 °C ... +85 °C
<i>Type of mounting</i>	DIN-35 x 15 carrier rail
<i>Operating temperature</i>	0°C ... +55°C
<i>Mounting position</i>	any
<i>Exposure to pollutants</i>	gemäß IEC 60068-2-42 und IEC 60068-2-43
<i>EMC emission of interference</i>	acc. to EN 61000-6-4, marine applications
<i>EMC immunity to interference</i>	acc. to EN 61000-6-2, marine applications
<i>Shock resistance</i>	acc. to IECacc. to IEC 60068-2-27
<i>Vibration resistance</i>	acc. to IECacc. to IEC 60068-2-6

Images & drawings







### Address

WAGO Kontakttechnik GmbH & Co. KG

Hansastr. 27

32423 Minden

Telefon: 0571/887-0

Fax: 0571/887-169

<http://www.wago.com>

© WAGO Kontakttechnik GmbH & Co. KG

Technische Änderungen und Irrtümer vorbehalten.