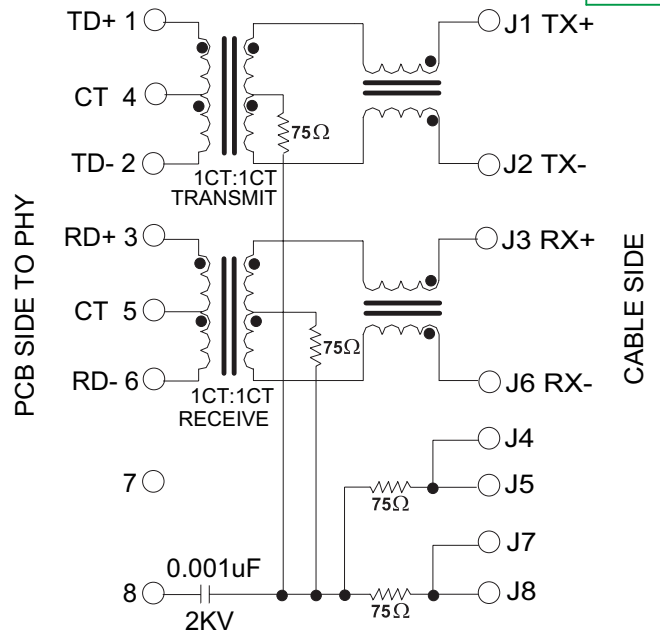




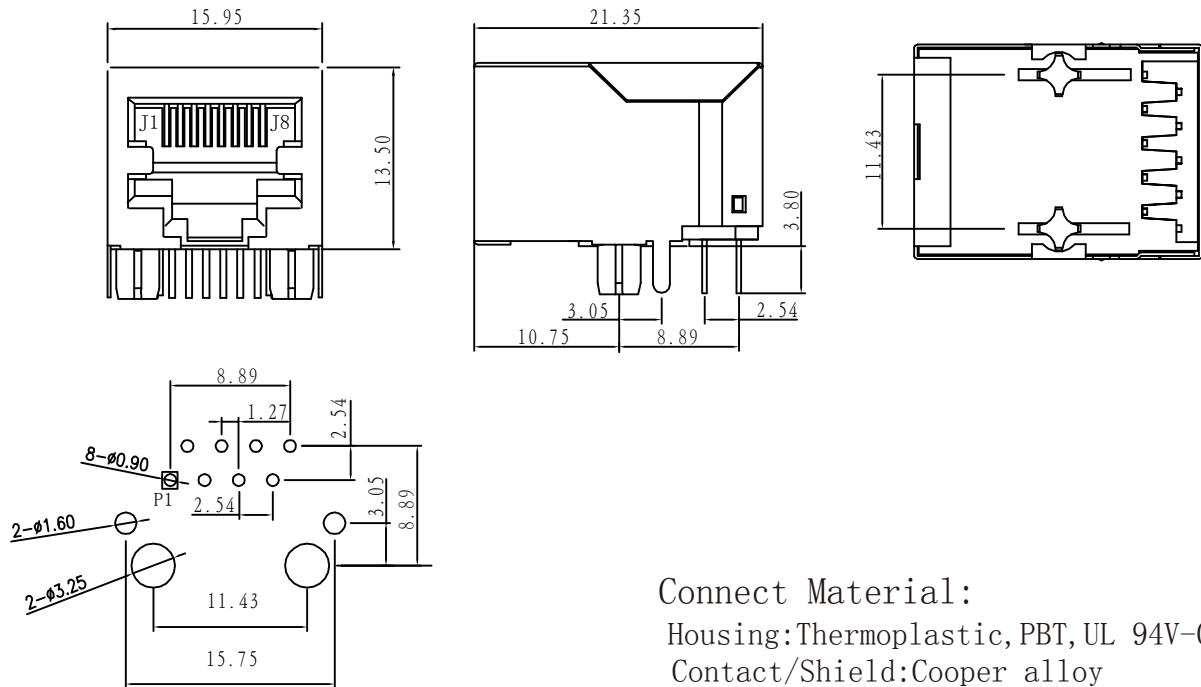
1. Turn Ratio(+/-2%):
TX=1CT :1CT RX=1CT:1CT
2. Inductance OCL:
350uH Min @100KHz/0.1V ,8mA DC Bias
3. Insertion Loss:
-1.0dB Max @1.0-100MHz
4. Return Loss:
-20dB Min @1-10MHz
-16dB Min @10-30MHz
-12dB Min @30-60MHz
-10dB Min @60-100MHz
5. Cross talk:
-40dB Min @1-30MHz
-35dB Min @30-60MHz
-30dB Min @60-100MHz
6. Common Mode Rejection:
-30dB Min @1-50MHz
-20dB Min @50-150MHz
7. HIPOT TEST :1500V AC 1mA 6S
8. OPERA TING TEMPERA TURE RANGE:0-70°C

Schematics



ELECTRICAL SPECIFICATIONS @ 25°C unless otherwise noted:

Mechanical



P.C.B RECOMMENDED HOLE LAYOUT SEEN FROM COMPONENT SIDE.
ALL CENTERLINE DIMENSIONS ARE BASIC

Connect Material:

Housing:Thermoplastic, PBT, UL 94V-0, Black
Contact/Shield:Cooper alloy
Shield Plating:Nickel
Contact Plating:Selective gold 6u" Min

E-mail:sales@huilyn.com				深圳惠興力电子有限公司		RJ45 Modular Jack 1x1Tab-Down 100BASE
http:// www.huilyn.com				Shenzhen HuiLy Electronic Co.,Ltd.		
单位(units)	MM	设计(draw)	邓辉剑	材料(mt'1)	图名(name)	料号(Part number)
比例(scale)	1 : 1	审核(ch'k)	朱建华	UNIT:mm		
版次(rev.)	A / 1	核准(app'd)	朱建华	HOUSING	PBT	HBJ-4109NL
视图(view)		日期(date)	2008.08.12	PIN	Qsn6.5-0.1	E:\工程图