



**4-channel digital output module; 24 VDC; 0.5 A; high-side switching; short-circuit protected; 2-conductor connection**

Item No.: 750-531



---

4-channel digital output module; 24 VDC; 0.5 A; high-side switching; short-circuit protected; 2-conductor connection

**Marking**

RoHS ✓  
Compliant

**Business data**

Supplier	WAGO
Item no.	750-531
GTIN / EAN	4045454513733
Content	1
Order amount	1
Customer item number	

**Notes**

*Item description: This digital output module transmits control signals from the automation device to the connected actuators. The module is a 4-output channel, 2-conductor device. Due to its four 0V connections, four actuators may be directly connected to it. All outputs are short-circuit-protected. Field and system levels are electrically isolated.*

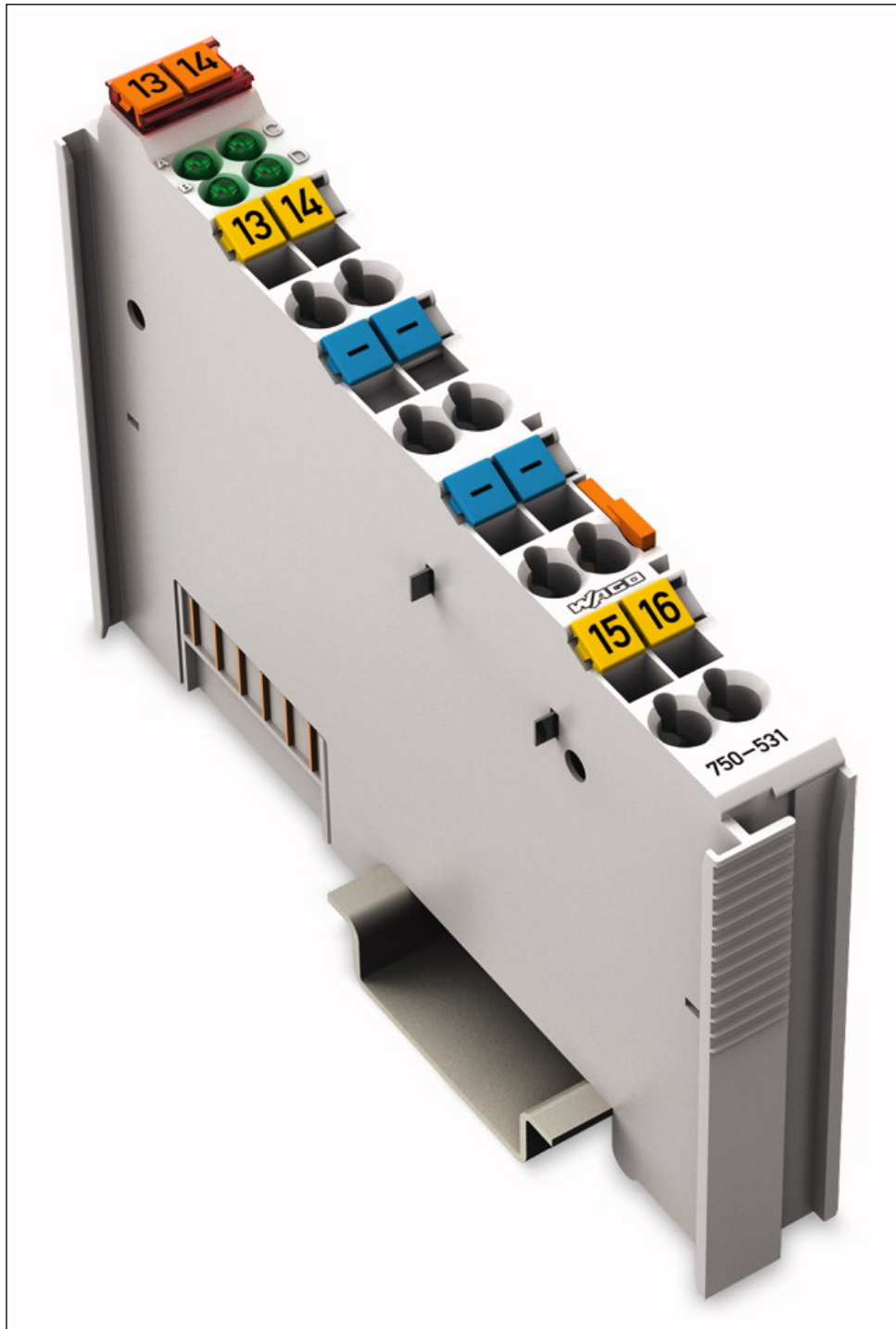
**Technical data**

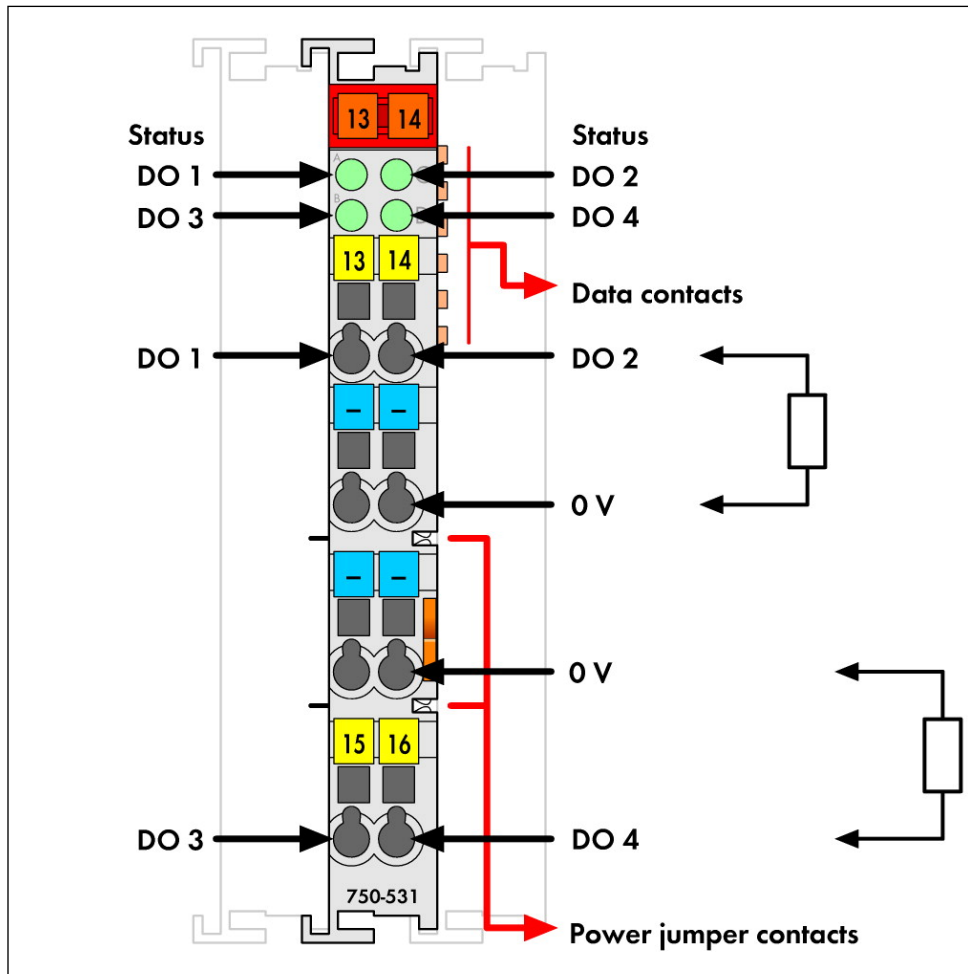
*Miscellaneous*

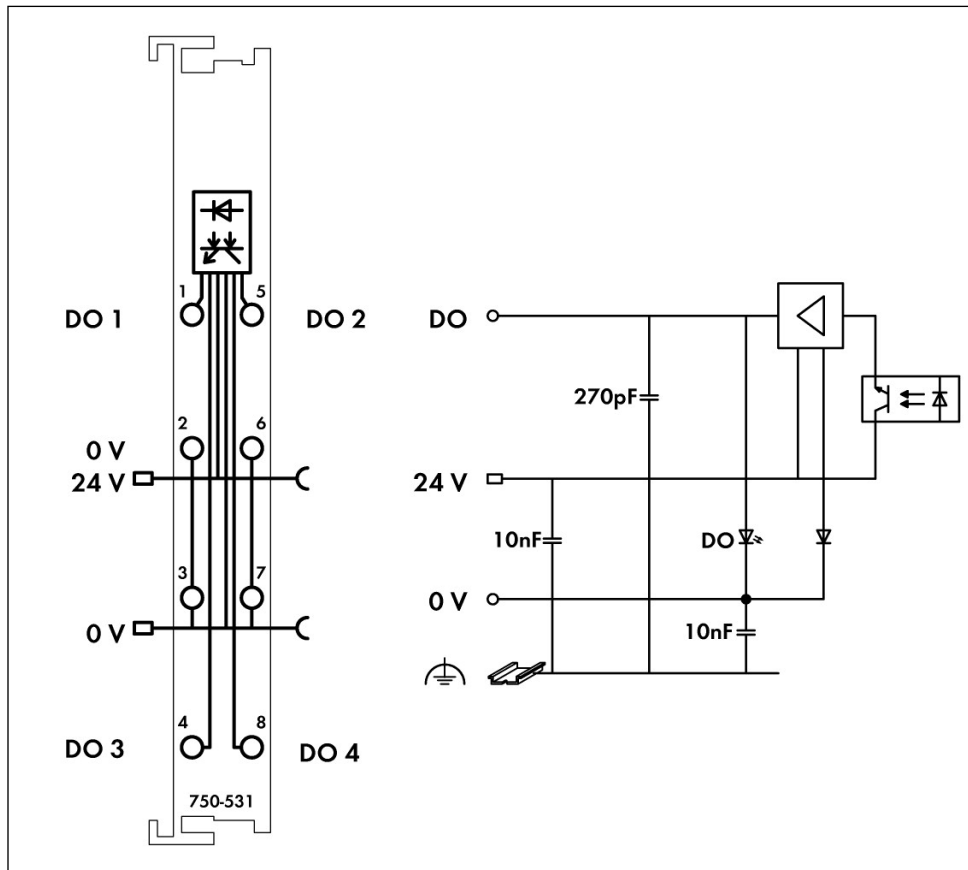
Color	light gray
Conformity marking	CE
No. of outputs	4

<b>Technical data</b>	
<i>Isolation</i>	<i>500 V system/supply</i>
<i>Voltage via power jumper contacts</i>	<i>24 V DC (-25 % ... +30 %)</i>
<i>Max. current consumption (internal) [mA]</i>	<i>10 [mA]</i>
<i>Current consumption typ. (field side)</i>	<i>30 mA / module + charge</i>
<i>Output current (max.)</i>	<i>0.5 A short-circuit protected</i>
<i>Type of load</i>	<i>resistive, inductive, lamps</i>
<i>Max. switching frequency</i>	<i>1 kHz</i>
<i>Reverse voltage protection</i>	<i>yes</i>
<i>Inductive load switch off energy dissipation W (max.)</i>	<i>0.3 J; L max = 2 x W max / I2</i>
<i>Internal bit width</i>	<i>4 bits out</i>
<i>Type of signal</i>	<i>24 VDC</i>
<i>Degree of protection</i>	<i>IP20</i>
<i>Connection technology</i>	<i>CAGE CLAMP®</i>
<i>Solid conductor</i>	<i>0.08 ... 2.5 mm<sup>2</sup> / 28 ... 14 AWG</i>
<i>Fine-stranded conductor</i>	<i>0.08 ... 2.5 mm<sup>2</sup> / 28 ... 14 AWG</i>
<i>Strip length</i>	<i>8 ... 9 mm / 0.31 ... 0.35 Inch</i>
<i>Fire load [MJ]</i>	<i>0.949 [MJ]</i>
<i>Weight [g]</i>	<i>49.414 [g]</i>
<i>Width</i>	<i>12 mm / 0.472 Inch</i>
<i>Height</i>	<i>69.8 mm / 2.748 Inch</i>
<i>Height from upper-edge of DIN-35 rail</i>	<i>62.6 mm / 2.465 Inch</i>
<i>Depth</i>	<i>100 mm / 3.937 Inch</i>
<i>Housing material</i>	<i>Polycarbonat, Polyamid 6.6</i>
<i>Storage temperature</i>	<i>-25 °C ... +85 °C</i>
<i>Relative air humidity (no condensation) [%]</i>	<i>95 [%]</i>
<i>Type of mounting</i>	<i>DIN-35 x 15 carrier rail</i>
<i>Operating temperature</i>	<i>0°C ... +55°C</i>
<i>Mounting position</i>	<i>any</i>
<i>Exposure to pollutants</i>	<i>gemäß IEC 60068-2-42 und IEC 60068-2-43</i>
<i>EMC emission of interference</i>	<i>acc. to EN 61000-6-4, marine applications</i>
<i>EMC immunity to interference</i>	<i>acc. to EN 61000-6-2, marine applications</i>
<i>Shock resistance</i>	<i>acc. to IECacc. to IEC 60068-2-27</i>
<i>Vibration resistance</i>	<i>acc. to IECacc. to IEC 60068-2-6</i>

Images & drawings







## Address

WAGO Kontakttechnik GmbH & Co. KG

Hansastr. 27

32423 Minden

Telefon: 0571/887-0

Fax: 0571/887-169

<http://www.wago.com>

© WAGO Kontakttechnik GmbH & Co. KG

Technische Änderungen und Irrtümer vorbehalten.