



Item No. : B160B

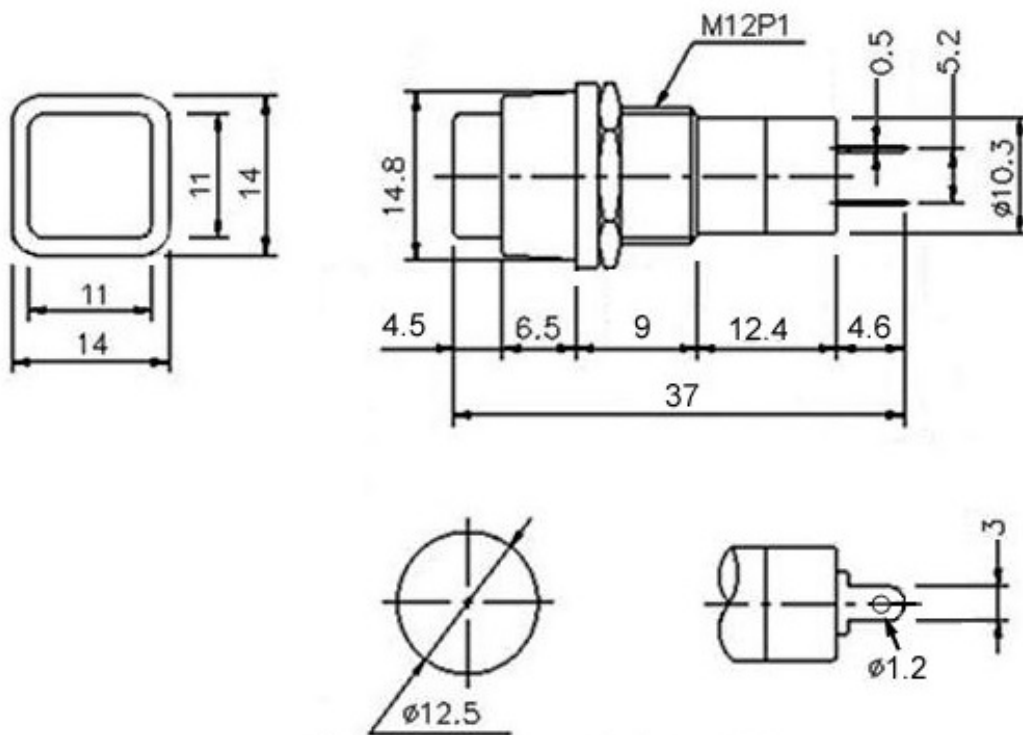
RoHS :  RoHS

**Description :**

Square type pushbutton switch

Open type

125V 3A



Panel Thickness : 5.0mm Max.

**Specifications**

Rating: 3A 125VAC

Contact resistance: 50m $\Omega$  Max

Insulation resistance: DC 500V 100M $\Omega$  Min

Dielectric strength: AC 1000V 1 minute