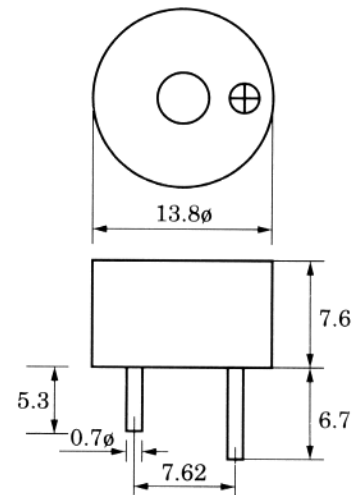


FEATURES:

- ▲ P.C. BOARD MOUNTING
- ▲ SMALL SIZE AND LIGHTWEIGHT
- ▲ RICH SOUND OUTPUT AND LOW CURRENT DRAIN
- ▲ SEP-2242 WAVE SOLDERABLE AND WASHABLE

Model No	SEP-2240 (Unsealed)	SEP-2242 (Sealed)
Oscillating Frequency(±500Hz)	4,100	
Operating Voltage (VDC)	3~16	
Sound Pressure Level at 30cm/12VDC (dB min)	70	
Current Consumption at 12VDC (mA max)	7	
Tone	Continuous	
Operating Temperature (°C)	-20° ~ 70°	
Storage Temperature (°C)	-30° ~ 70°	
Weight (Gram)	1.0	



Model No	SEP-2202 (Unsealed)	SEP-2202S (Sealed)	SEP-2202A (Unsealed)	SEP-2202AS (Sealed)
Oscillating Frequency(±500Hz)	3,000			
Operating Voltage (VDC)	3-20			
Sound Pressure Level at 30cm/12VDC (dB min)	77		85	
Current Consumption at 12VDC (mA max)	14		11	
Operating Temperature (°C)	-20° ~ 60°			
Storage Temperature (°C)	-30° ~ 70°			
Weight (Gram)	5.0	5.4	5.0	

