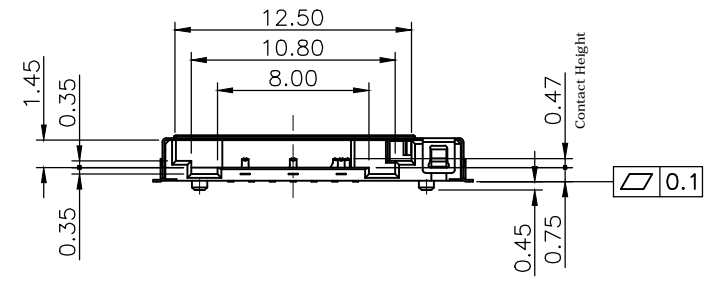
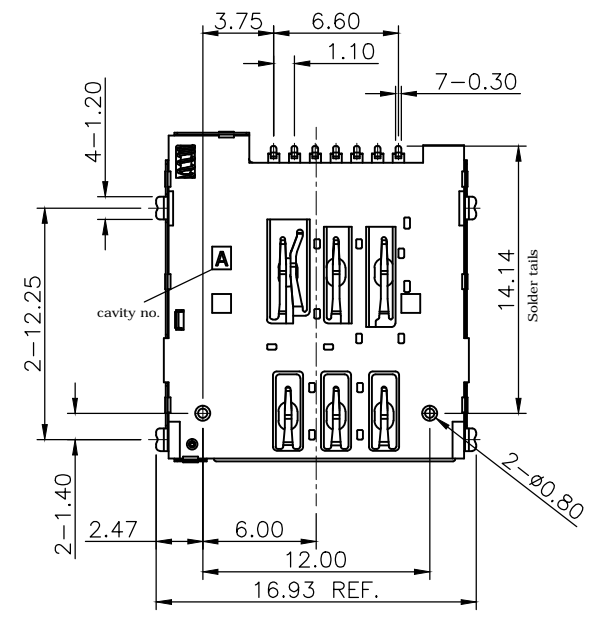
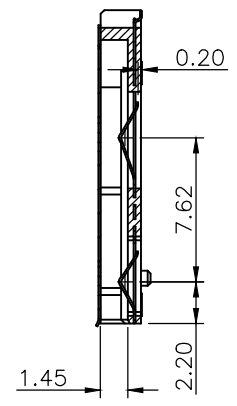
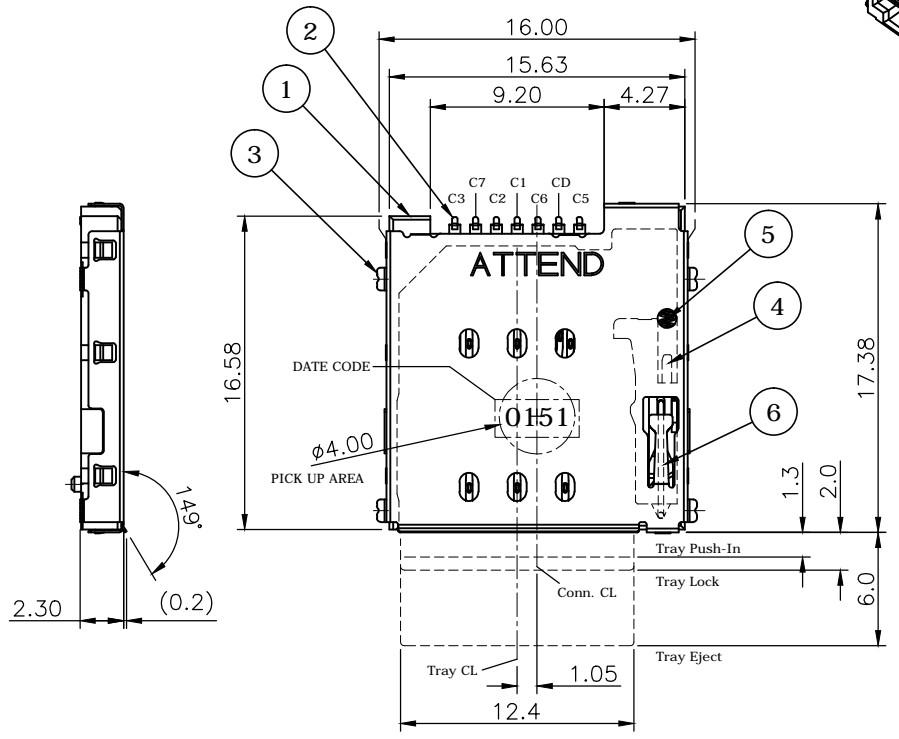
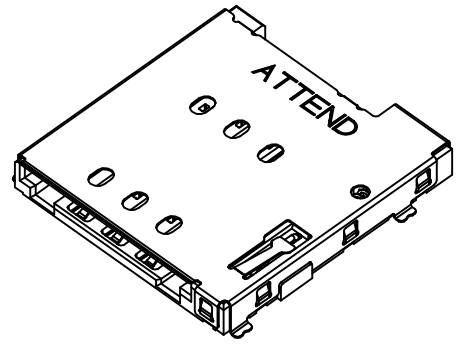



REV.	DESCRIPTION	DRAWN	DATE
1	INITIAL RELEASE	FROS	2020/07/31

DATE CODE: 0151 (YWWDD)  
 Y= YEAR(2020)  
 WW= WEEK(01-52)  
 D= DAY(1-7)



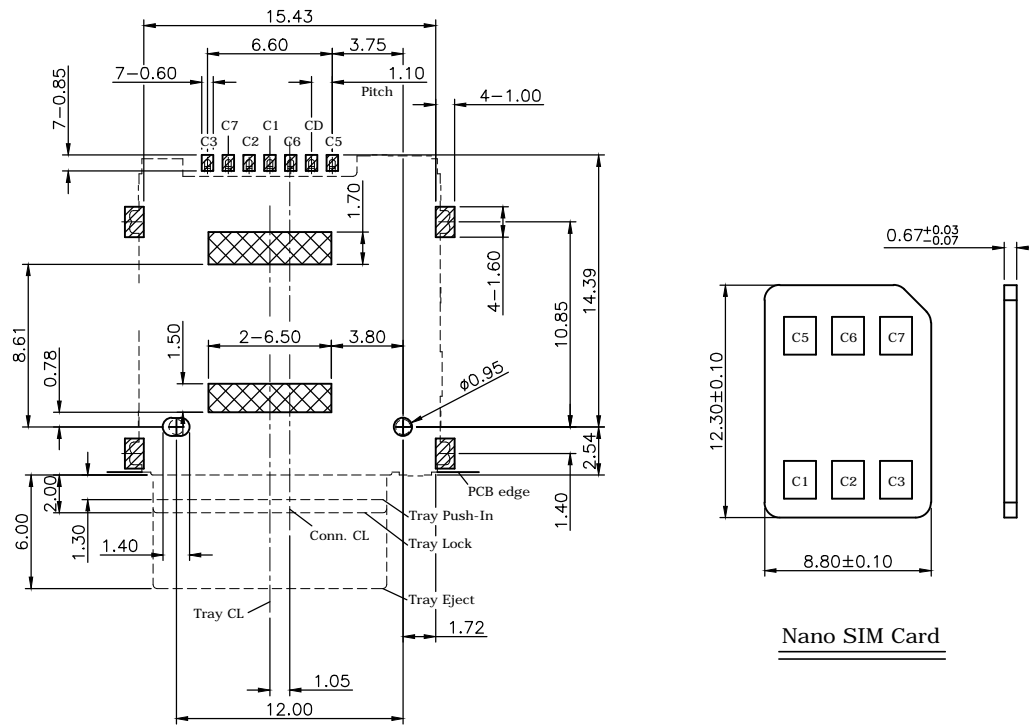
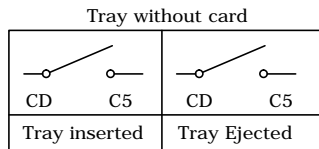
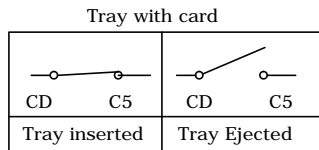
This part is a connector only, it should be used together with Nano SIM Tray P/N: 115U-T001

UNLESS OTHERWISE SPECIFIED TOLERANCE				 www.attend.com.tw
UNIT:	DECIMAL	LINEAR	ANGLES	
mm	X.	±0.50	±5°	
	X.X	±0.25	±3°	
	X.XX	±0.12	±1°	
DRAWN	Fros	2020/04/06	DRAWN NAME:	
CHECKED	Tim	2020/04/06	Nano SIM Socket, 6 Pin, Tray-Push Push, G/F, Reel	
APPROVED	Ken	2020/04/06	PRODUCT NO.	115U-A101
SCALE	2.5/1	SHEET	1/4	SIZE
			A4	FILE NAME
				115U-A101_B_1

REV.	DESCRIPTION	DRAWN	DATE
	see sheet one		

Pin out & Card detect switch status.

Pin NO.	Pin Name
C 1	VCC
C 2	RST
C 3	CLK
C 5	GND
C 6	VPP
C 7	I/O
CD	Card Detect Switch



Recommended PCB layout (top view)  
General tolerance: ±0.05mm

**SPECIFICATION:**

1. ELECTRICAL
  - 1.1 Current Rating: 0.5A per pin
  - 1.2 Voltage Rating: 10V DC
  - 1.3 Contact Resistance: Initial 50mΩ, after 100mΩ Max.
  - 1.4 Insulation Resistance: 1000MΩ
  - 1.5 Dielectric Withstanding Voltage: 500VAC
2. MECHANICAL
  - 2.1 Durability: 5,000 cycles
  - 2.2 Contact Normal Force: 0.5N Min. per pin
3. ENVIRONMENTAL
  - 3.1 Operating temperature range: -40°C~+85°C
  - 3.2 Storage temperature range: -40°C~+85°C
4. SOLDER ABILITY
  - 4.1 Recommended IR-Reflow Temperature: 260°C

This part is a connector only, it should be used together with Nano SIM Tray P/N: 115U-T001

*	115U-T001	Card Tray, Used for Nano SIM Card Socket Push-Push, Lock, PC+ABS, Black, Reel
---	-----------	---

6	CRANK	Stainless Steel
5	SPRING	SWP-B, Nickel plating
4	SLIDER	LCP, UL94V-0, Black
3	SHELL	Stainless Steel, Nickel plating
2	CONTACT	Phosphor Bronze, Gold plating over Nickel
1	HOUSING	LCP, UL94V-0, Black

NO.	PART NAME	DESCRIPTION		
UNLESS OTHERWISE SPECIFIED TOLERANCE				
UNIT:	DECIMAL	LINEAR	ANGLES	
	mm	X.X	±0.50	±5°
		X.XX	±0.25	±3°
		X.XXX	±0.12	±1°
DRAWN	Fros	2020/04/06	DRAWN NAME:	
CHECKED	Tim	2020/04/06	Nano SIM Socket, 6 Pin, Tray-Push Push, G/F, Reel	
APPROVED	Ken	2020/04/06	PRODUCT NO. 115U-A101	
SCALE	2.5/1	SHEET 2/4	SIZE A4	FILE NAME 115U-A101_B_1

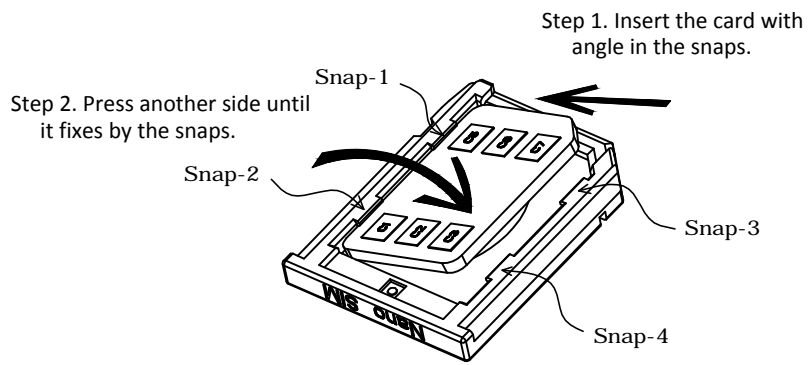


www.attend.com.tw

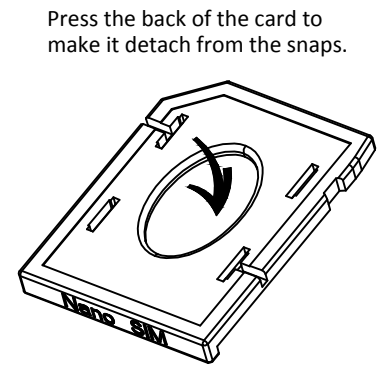
REV.	DESCRIPTION	DRAWN	DATE
	see sheet one		

## Instruction Manual

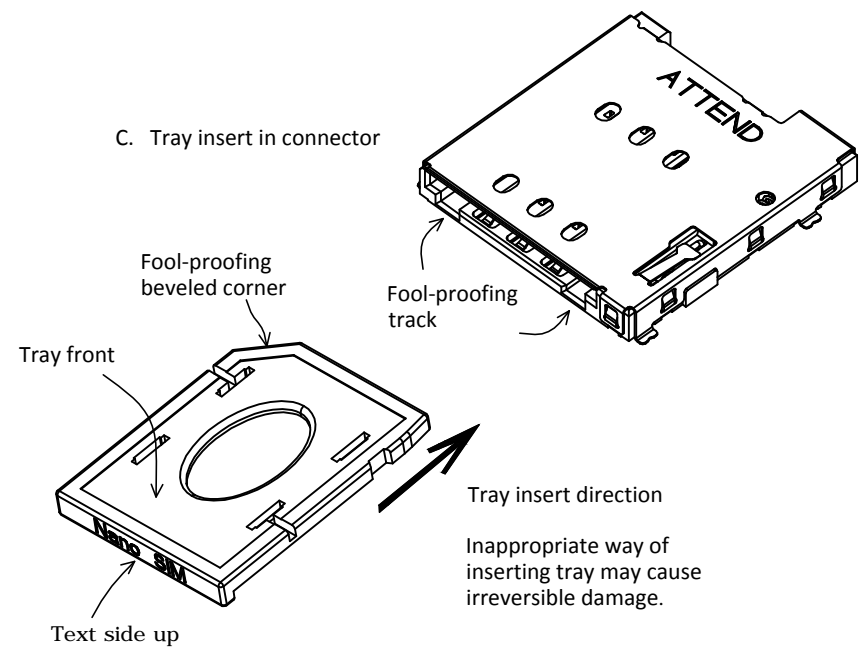
### A. Set up Nano SIM card



### B. Remove Nano SIM card



### C. Tray insert in connector

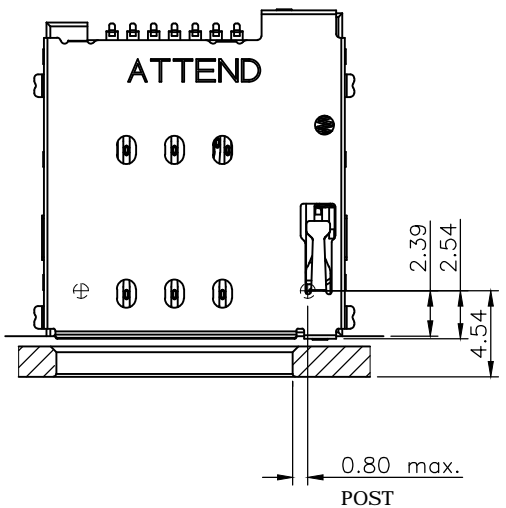


UNLESS OTHERWISE SPECIFIED TOLERANCE					
UNIT:	DECIMAL	LINEAR	ANGLES		
mm	X.	±0.50	±5°	www.attend.com.tw	
	X.X	±0.25	±3°		
	X.XX	±0.12	±1°		
DRAWN	Fros	2020/04/06	DRAWN NAME: Nano SIM Socket, 6 Pin, Tray-Push Push, G/F, Reel		
CHECKED	Tim	2020/04/06	PRODUCT NO. 115U-A101		
APPROVED	Ken	2020/04/06	FILE NAME 115U-A101_B_1		
SCALE 2.5/1		SHEET 3/4	SIZE A4		

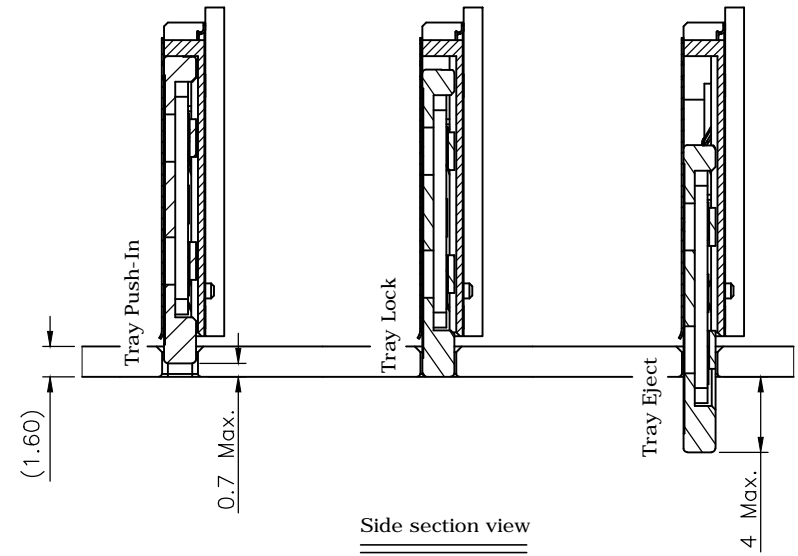
REV.	DESCRIPTION	DRAWN	DATE
	see sheet one		

Instruction Manual

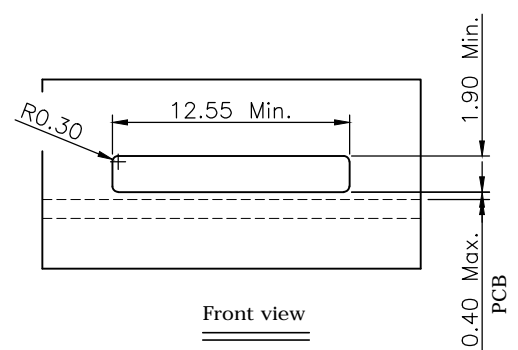
Recommended Panel Cut




Top view



Side section view



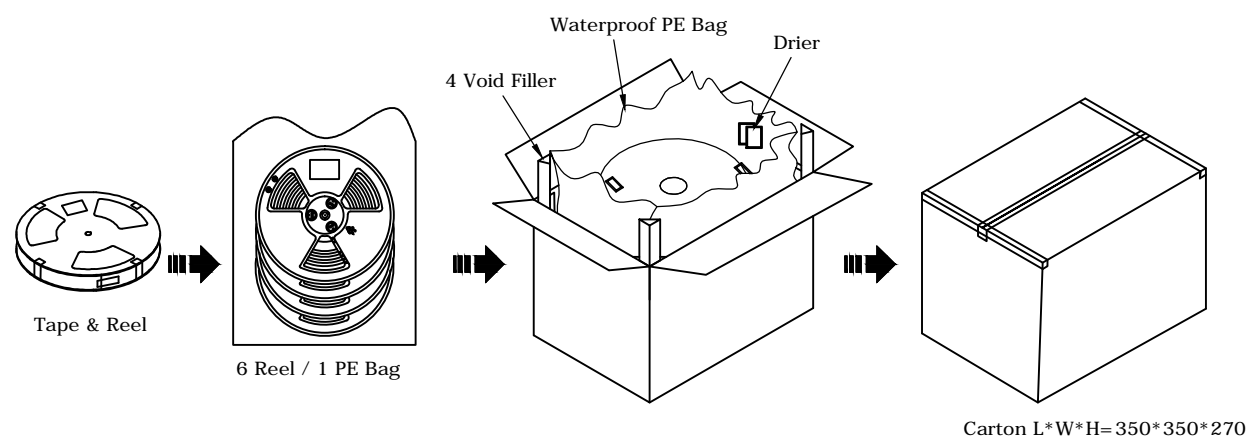
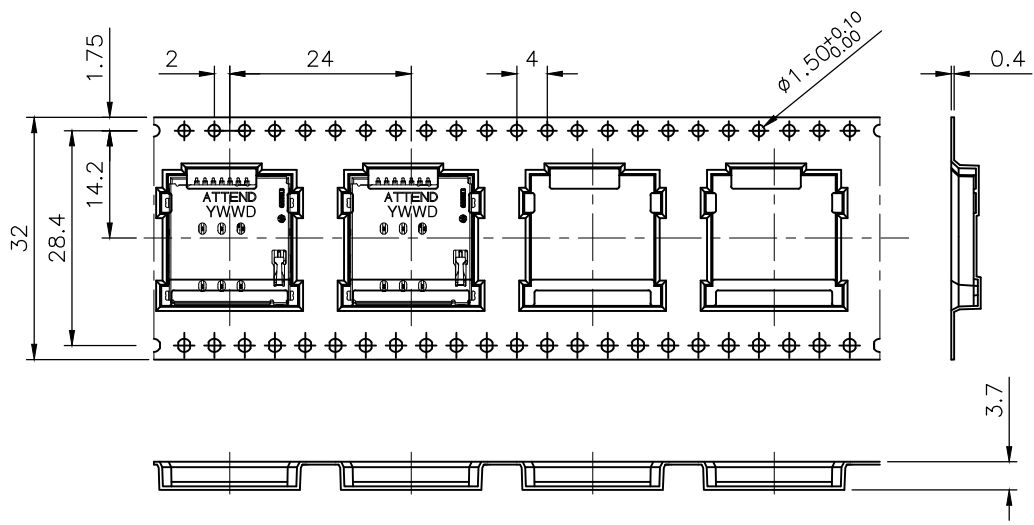
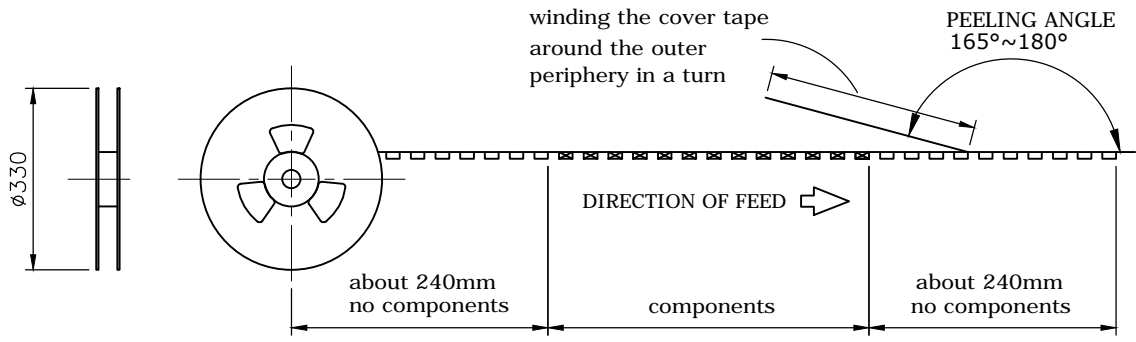
Front view

UNLESS OTHERWISE SPECIFIED TOLERANCE				 www.attend.com.tw
UNIT:	DECIMAL	LINEAR	ANGLES	
mm	X.	±0.50	±5°	
	X.X	±0.25	±3°	
	X.XX	±0.12	±1°	
DRAWN	Fros	2020/04/06	DRAWN NAME:	
CHECKED	Tim	2020/04/06	Nano SIM Socket, 6 Pin, Tray-Push Push, G/F, Reel	
APPROVED	Ken	2020/04/06	PRODUCT NO. 115U-A101	
SCALE	2.5/1	SHEET 4/4	SIZE A4	FILE NAME 115U-A101_B_1

REV.	DESCRIPTION	DRAWN	DATE
1	INITIAL RELEASE	FROS	2020/04/06

**PACKAGING SPECIFICATION:**

- 1. MATERIAL
  - 1.1 Embossed Carrier Tape: PS Black
  - 1.2 Top Cover Tape: PET 20-80g(Peel Speed 300mm/Minute)
  - 1.3 Taping Reel: Paper
- 2. PACKING
  - 2.1 Quantity:
    - 700 Piece/Reel
    - 4,200 Piece/Carton



UNLESS OTHERWISE SPECIFIED TOLERANCE

UNIT:	DECIMAL	LINEAR	ANGLES
mm	X.	±0.50	±5°
	X.X	±0.25	±3°
	X.XX	±0.12	±1°

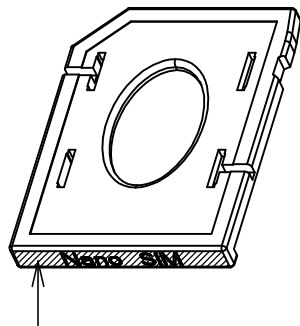
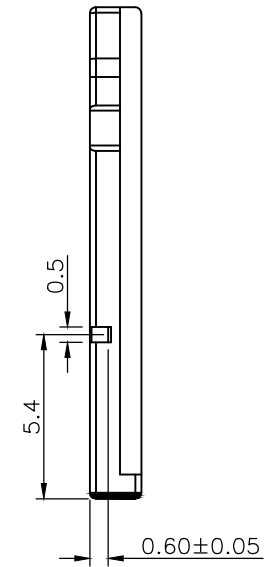
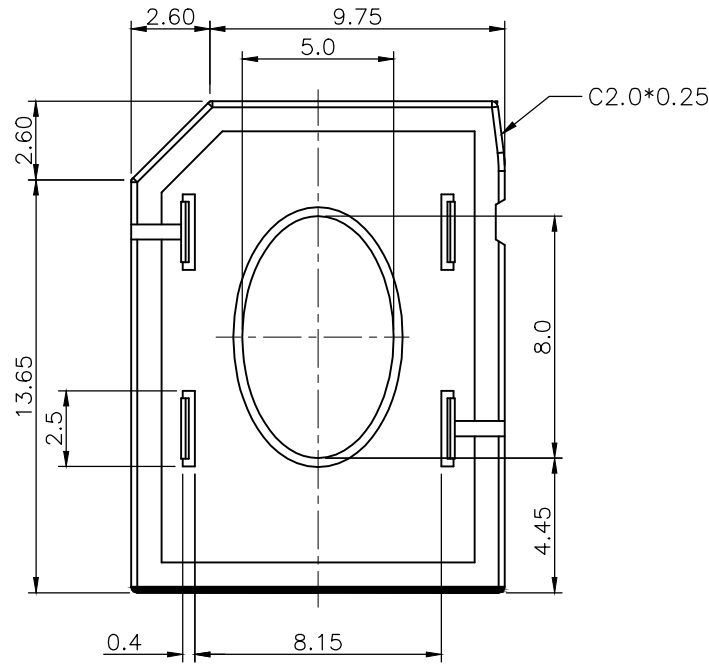
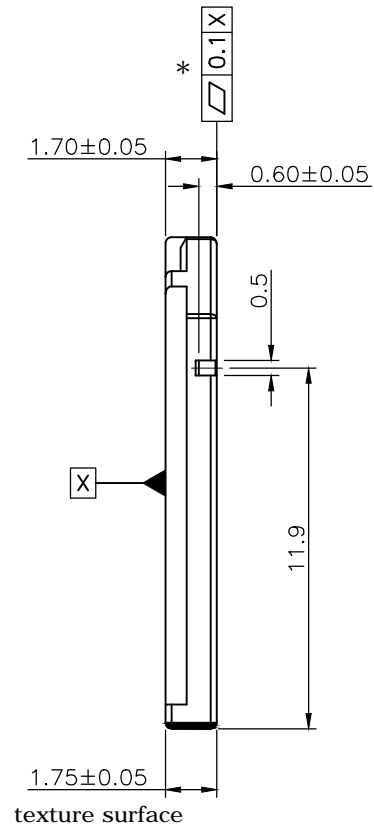


DRAWN	Fros	2020/04/06	DRAWN NAME:	www.attend.com.tw
CHECKED	Tim	2020/04/06	Nano SIM Socket, 6 Pin, Tray-Push Push, G/F, Reel	
APPROVED	Ken	2020/04/06	PRODUCT NO.	115U-A101
	SCALE	SHEET	SIZE	FILE NAME
	1/1	1/1	A4	115U-A101_D_1

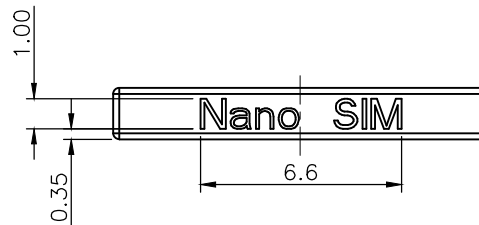
REV.	DESCRIPTION	DRAWN	DATE
1	INITIAL RELEASE	FROS	2020/04/29

NOTE:

- MATERIAL: PC/ABS, UL 94V-0 Rated, Color black.
- RoHS + HF COMPLIANT PRODUCTS.



Finish:  
Surface texture : MT-1055-1  
Text: transparent clean, depth 0.3mm max.



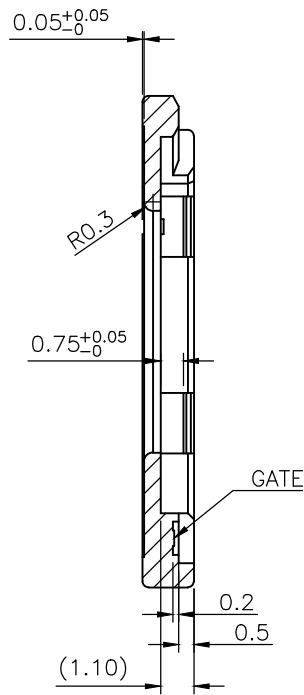
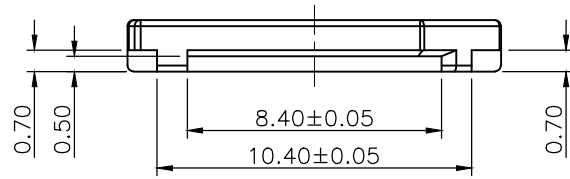
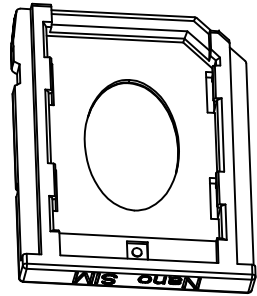
UNLESS OTHERWISE SPECIFIED TOLERANCE			
UNIT:	DECIMAL	LINEAR	ANGLES
mm	X.	$\pm 0.50$	$\pm 5^\circ$
	X.X	$\pm 0.25$	$\pm 3^\circ$
	X.XX	$\pm 0.12$	$\pm 1^\circ$



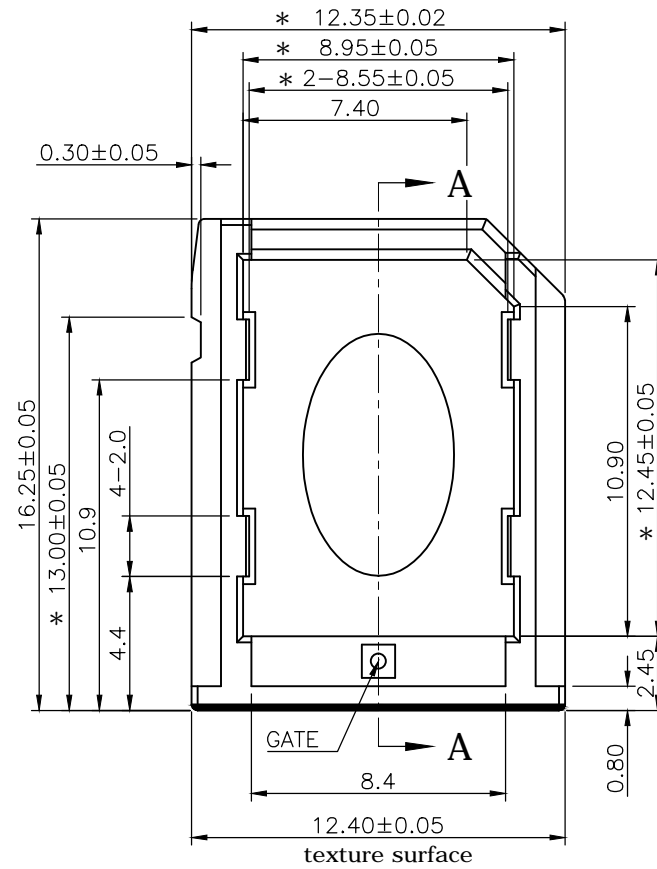
www.attend.com.tw


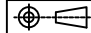
DRAWN	Fros	2020/04/27	DRAWN NAME: Nano SIM Card Tray, Used for 115U-A101, Reel	
CHECKED	Tim	2020/04/27	PRODUCT NO.	115U-T001
APPROVED	Ken	2020/04/27	FILE NAME	115U-T001_B_1
	SCALE 4/1	SHEET 1/2	SIZE A4	

REV.	DESCRIPTION	DRAWN	DATE
	see sheet one		

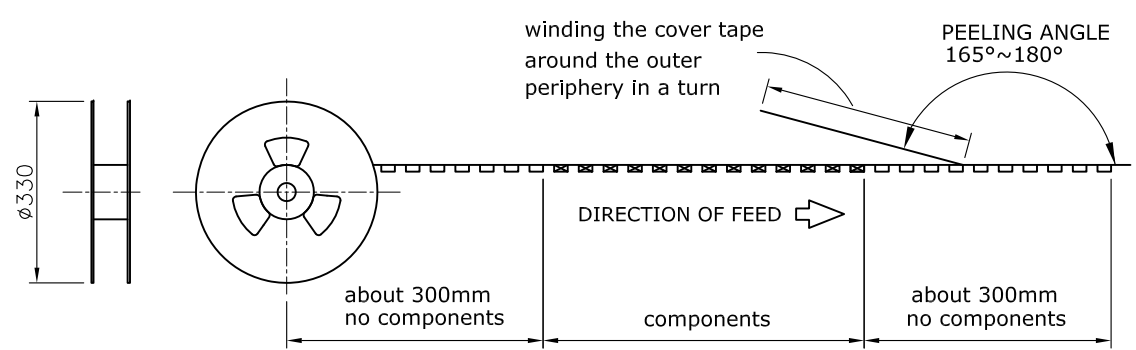


SECTION A-A



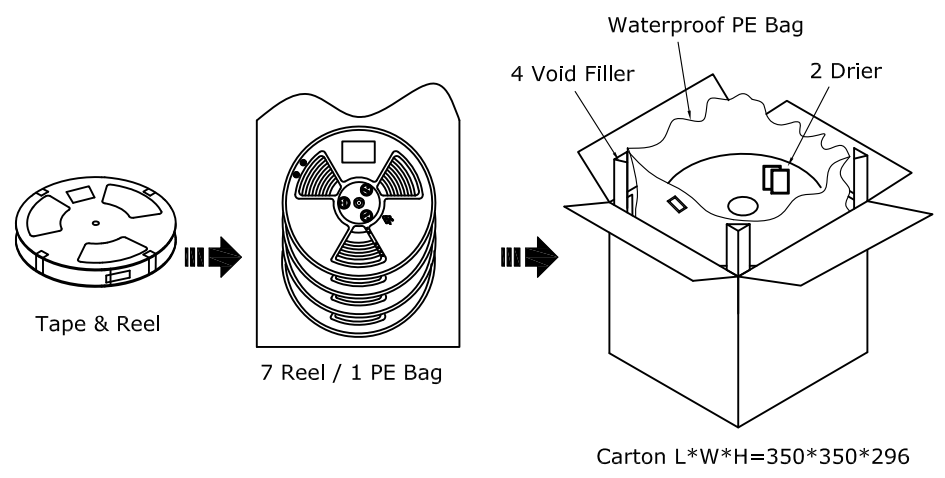
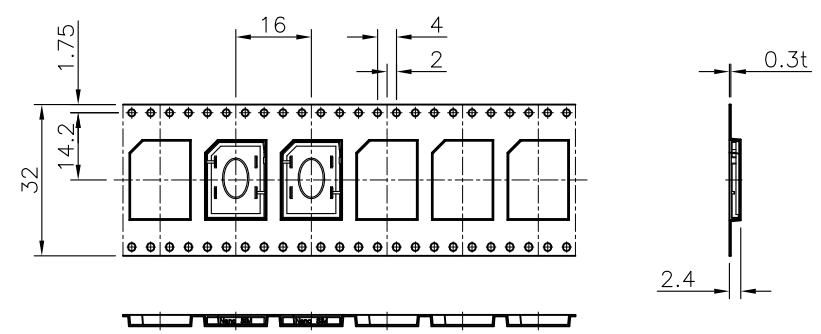
UNLESS OTHERWISE SPECIFIED TOLERANCE					
UNIT:	DECIMAL	LINEAR	ANGLES		
mm	X.	±0.50	±5°	www.attend.com.tw	
	X.X	±0.25	±3°		
	X.XX	±0.12	±1°		
DRAWN	Fros	2020/04/27	DRAWN NAME: Nano SIM Card Tray, Used for 115U-A101, Reel		
CHECKED	Tim	2020/04/27	PRODUCT NO. 115U-T001		
APPROVED	Ken	2020/04/27	FILE NAME 115U-T001_B_1		
 SCALE 4/1		SHEET 2/2	SIZE A4		


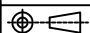
REV.	DESCRIPTION	DRAWN	DATE
1	INITIAL RELEASE	FROS	2020/04/27



**PACKAGING SPECIFICATION:**

1. MATERIAL
  - 1.1 Embossed Carrier Tape: PS Black
  - 1.2 Top Cover Tape: PET  
20-80g(Peel Speed 300mm/Minute)
  - 1.3 Taping Reel: Plastic
2. PACKING
  - 2.1 Quantity:  
1,800 Piece/Reel  
12,600 Piece/Carton



UNLESS OTHERWISE SPECIFIED TOLERANCE					
UNIT:	DECIMAL	LINEAR	ANGLES		
mm	X.	±0.50	±5°	www.attend.com.tw	
	X.X	±0.25	±3°		
	X.XX	±0.12	±1°		
DRAWN	Fros	2020/04/27	DRAWN NAME:		
CHECKED	Tim	2020/04/27	Card Tray, Used for Nano SIM Card Socket		
APPROVED	Ken	2020/04/27	PRODUCT NO.	115U-T001	
	SCALE 0.625	SHEET 1/1	SIZE A4	FILE NAME	115U-T001_D_1