

MEDIUM VOLTAGE NPN IGNITION DARLINGTON

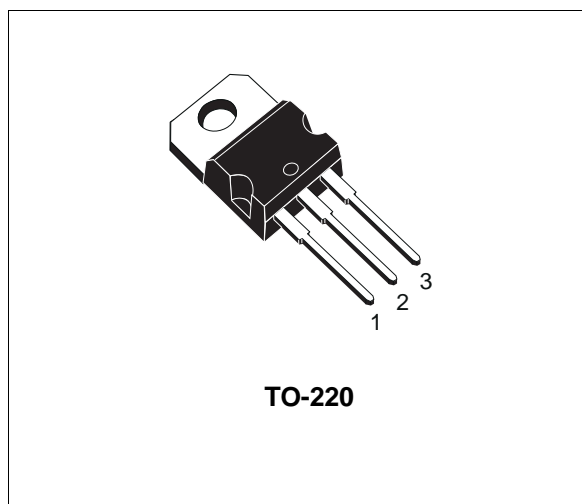
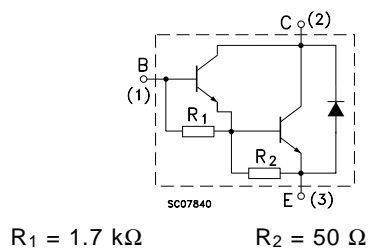
- SGS-THOMSON PREFERRED SALESTYPE
- NPN DARLINGTON
- LOW BASE-DRIVE REQUIREMENTS
- INTEGRATED ANTIPARALLEL COLLECTOR-EMITTER DIODE

APPLICATIONS:

- SOLENOID / RELAY DRIVERS
- MOTOR CONTROL
- ELECTRONIC AUTOMOTIVE IGNITION

DESCRIPTION

The BU911 is an NPN transistor in monolithic Darlington configuration Jedec TO-220 plastic package, designed for applications such as electronic ignition, DC and AC motor controls, solenoid drivers, etc.


INTERNAL SCHEMATIC DIAGRAM

ABSOLUTE MAXIMUM RATINGS

Symbol	Parameter	Value	Unit
V_{CES}	Collector-Emitter Voltage ($V_{BE} = 0$)	450	V
V_{CEO}	Collector-Emitter Voltage ($I_B = 0$)	400	V
V_{EBO}	Emitter-Base Voltage ($I_C = 0$)	5	V
I_C	Collector Current	6	A
I_{CM}	Collector Peak Current	10	A
I_B	Base Current	1	A
P_{tot}	Total Dissipation at $T_c \leq 25^\circ\text{C}$	60	W
T_{stg}	Storage Temperature	-65 to 150	$^\circ\text{C}$
T_j	Max. Operating Junction Temperature	150	$^\circ\text{C}$

THERMAL DATA

R _{thj-case}	Thermal Resistance Junction-case	Max	2.08	°C/W
-----------------------	----------------------------------	-----	------	------

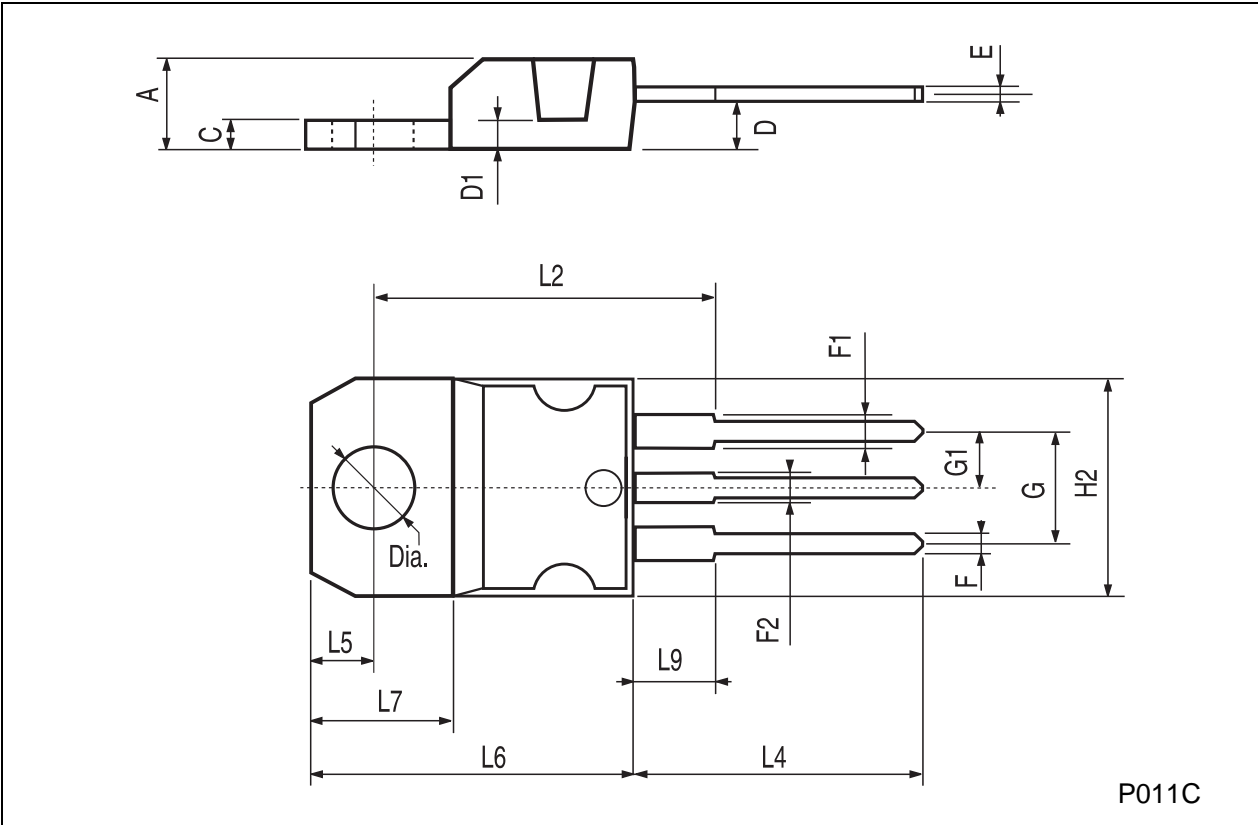
ELECTRICAL CHARACTERISTICS (T_{case} = 25 °C unless otherwise specified)

Symbol	Parameter	Test Conditions	Min.	Typ.	Max.	Unit
I _{CES}	Collector Cut-off Current (V _{BE} = 0)	V _{CE} = 450 V V _{CE} = 450 V T _{case} = 125°C			1 5	mA mA
I _{CEO}	Collector Cut-off Current (I _B = 0)	V _{CE} = 400 V			1	mA
I _{EBO}	Emitter Cut-off Current (I _C = 0)	V _{EB} = 5 V			5	mA
V _{CEO(sus)*}	Collector-emitter Sustaining Voltage (I _B = 0)	I _C = 100 mA	400			V
V _{CE(sat)*}	Collector-emitter Saturation Voltage	I _C = 2.5 A I _B = 50 mA I _C = 4 A I _B = 200 mA			1.8 1.8	V V
V _{BE(sat)*}	Base-emitter Saturation Voltage	I _C = 2.5 A I _B = 50 mA I _C = 4 A I _B = 200 mA			2.2 2.5	V V
V _{F*}	Diode Forward Voltage	I _F = 4 A			2.5	V

* Pulsed: Pulse duration = 300 μs, duty cycle 1.5 %.

TO-220 MECHANICAL DATA

DIM.	mm			inch		
	MIN.	TYP.	MAX.	MIN.	TYP.	MAX.
A	4.40		4.60	0.173		0.181
C	1.23		1.32	0.048		0.051
D	2.40		2.72	0.094		0.107
D1		1.27			0.050	
E	0.49		0.70	0.019		0.027
F	0.61		0.88	0.024		0.034
F1	1.14		1.70	0.044		0.067
F2	1.14		1.70	0.044		0.067
G	4.95		5.15	0.194		0.203
G1	2.4		2.7	0.094		0.106
H2	10.0		10.40	0.393		0.409
L2		16.4			0.645	
L4	13.0		14.0	0.511		0.551
L5	2.65		2.95	0.104		0.116
L6	15.25		15.75	0.600		0.620
L7	6.2		6.6	0.244		0.260
L9	3.5		3.93	0.137		0.154
DIA.	3.75		3.85	0.147		0.151



P011C

Information furnished is believed to be accurate and reliable. However, SGS-THOMSON Microelectronics assumes no responsibility for the consequences of use of such information nor for any infringement of patents or other rights of third parties which may result from its use. No license is granted by implication or otherwise under any patent or patent rights of SGS-THOMSON Microelectronics. Specifications mentioned in this publication are subject to change without notice. This publication supersedes and replaces all information previously supplied. SGS-THOMSON Microelectronics products are not authorized for use as critical components in life support devices or systems without express written approval of SGS-THOMSON Microelectronics.

© 1997 SGS-THOMSON Microelectronics - Printed in Italy - All Rights Reserved

SGS-THOMSON Microelectronics GROUP OF COMPANIES

Australia - Brazil - Canada - China - France - Germany - Italy - Japan - Korea - Malaysia - Malta - Morocco - The Netherlands -
Singapore - Spain - Sweden - Switzerland - Taiwan - Thailand - United Kingdom - U.S.A

...