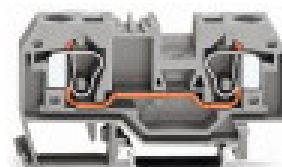




2-conductor through terminal block

Item No.: 284-901



2-conductor through terminal block

Marking

RoHS ✓
Compliant

Business data

Supplier	WAGO
Item no.	284-901
GTIN / EAN	4044918305730
Content	1
Order amount	25
Customer item number	

Notes

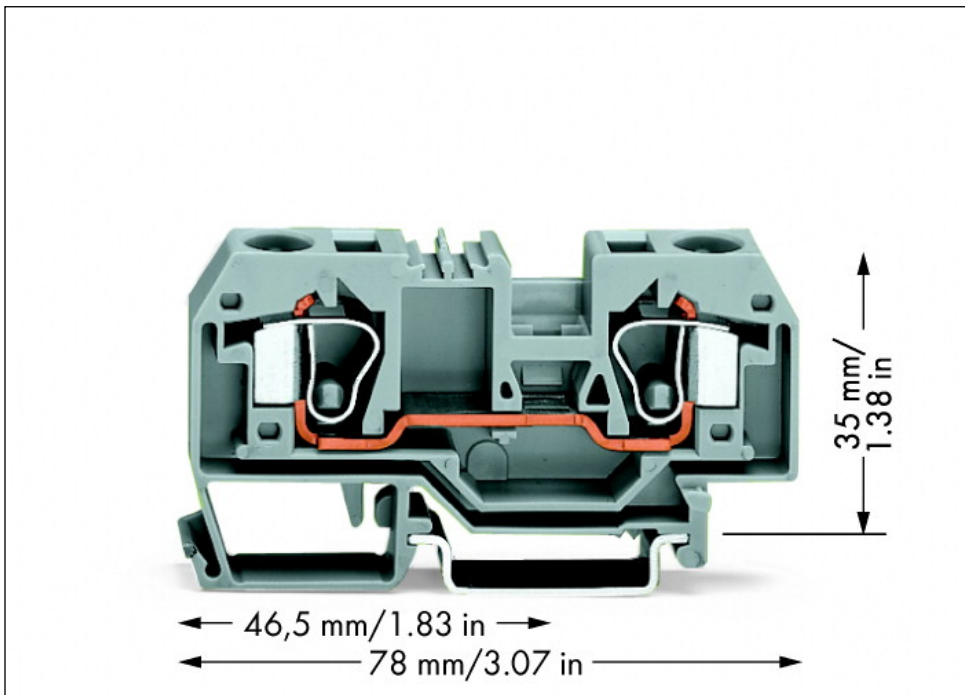
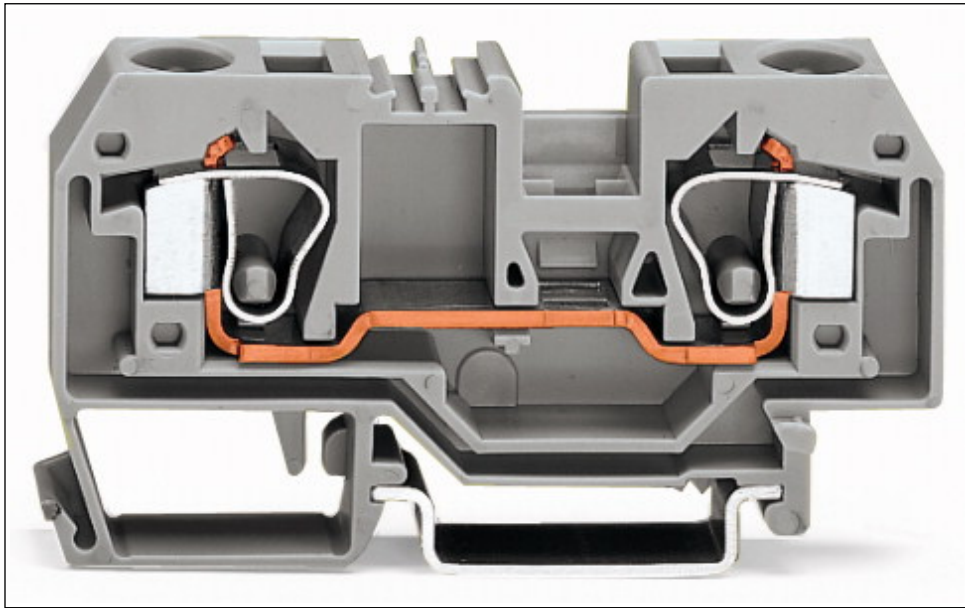
Technical data

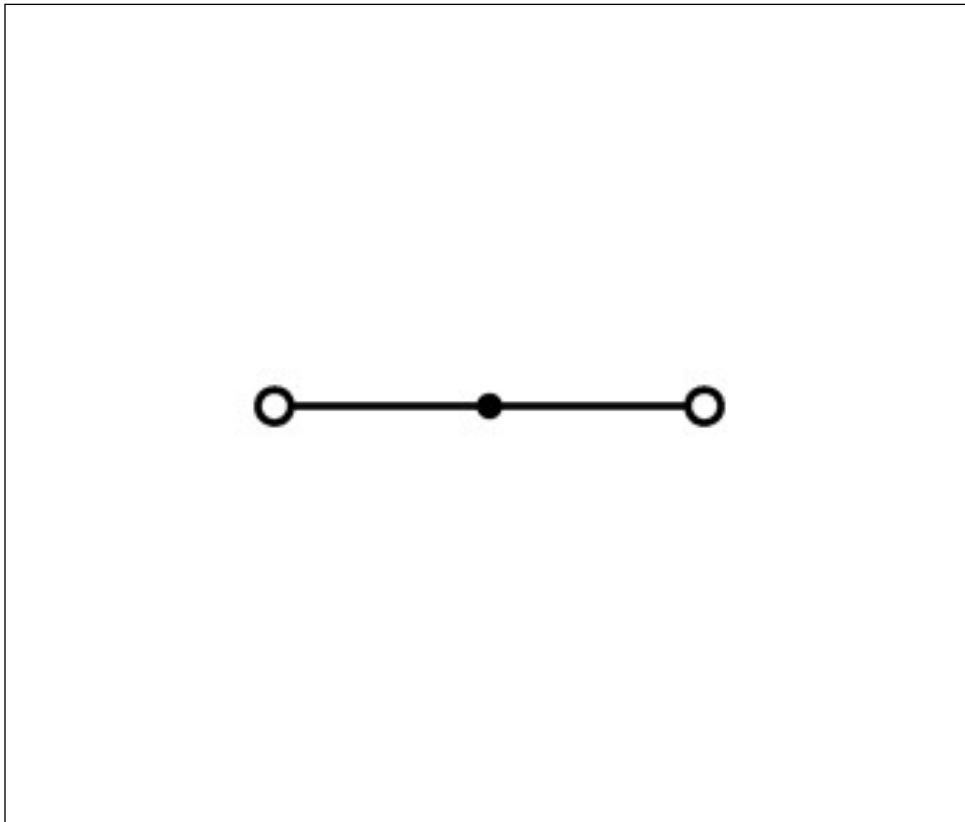
Miscellaneous

Total number of connection points	2
Total number of potentials	1
Color	gray
Ratings per	IEC/EN 60947-7-1
Rated voltage (III / 3) [V]	800 [V]
Rated impulse voltage (III / 3) [kV]	8 [kV]

Technical data	
<i>Rated current [A]</i>	<i>57 [A]</i>
<i>Number of levels</i>	<i>1</i>
<i>Connection technology</i>	<i>CAGE CLAMP®</i>
<i>Number of connection points connector</i>	<i>2</i>
<i>Actuation type</i>	<i>Operating tool</i>
<i>Connectable conductor materials</i>	<i>Copper</i>
<i>Solid conductors, tool-operated termination</i>	<i>0.2 ... 10 mm² / 24 ... 8 AWG</i>
<i>Fine-stranded conductors, tool-operated termination</i>	<i>0.2 ... 10 mm² / 24 ... 8 AWG</i>
<i>Strip length</i>	<i>12 ... 13 mm / 0.47 ... 0.51 inch</i>
<i>Type of wiring</i>	<i>Front-entry wiring</i>
<i>Design</i>	<i>horizontal</i>
<i>Marking level</i>	<i>Center marking</i>
<i>Insulating material</i>	<i>Polyamide 66 (PA 66)</i>
<i>Fire load [MJ]</i>	<i>0.348 [MJ]</i>
<i>Weight [g]</i>	<i>23.1 [g]</i>
<i>Width</i>	<i>10 mm / 0.394 in.</i>
<i>Height from upper-edge of DIN-35 rail</i>	<i>35 mm / 1.378 in.</i>
<i>Depth</i>	<i>78 mm / 3.071 in.</i>
<i>Type of mounting</i>	<i>DIN-35 rail</i>

Images & drawings





Address

WAGO Kontakttechnik GmbH & Co. KG

Hansastr. 27

32423 Minden

Telefon: 0571/887-0

Fax: 0571/887-169

<http://www.wago.com>

© WAGO Kontakttechnik GmbH & Co. KG

Technische Änderungen und Irrtümer vorbehalten.