



PCB terminal block; Push-button; 0.5 mm²; Pin spacing 2.5 mm; 4-pole; Push-in CAGE CLAMP®

Item No.: 250-404



PCB terminal block; Push-button; 0.5 mm²; Pin spacing 2.5 mm; 4-pole; Push-in CAGE CLAMP®

Marking

RoHS ✓
Compliant

Business data

Supplier	WAGO
Item no.	250-404
GTIN / EAN	4044918642859
Content	1
Order amount	100
Customer item number	

Notes

Item description: Compact terminal strips with push-buttons Simple push-in termination for solid conductors Termination/removal of fine-stranded conductors via push-buttons 45° conductor entry angle provides easy, space-saving wiring Custom color combinations Terminal strips also available with spacers upon request

Technical data

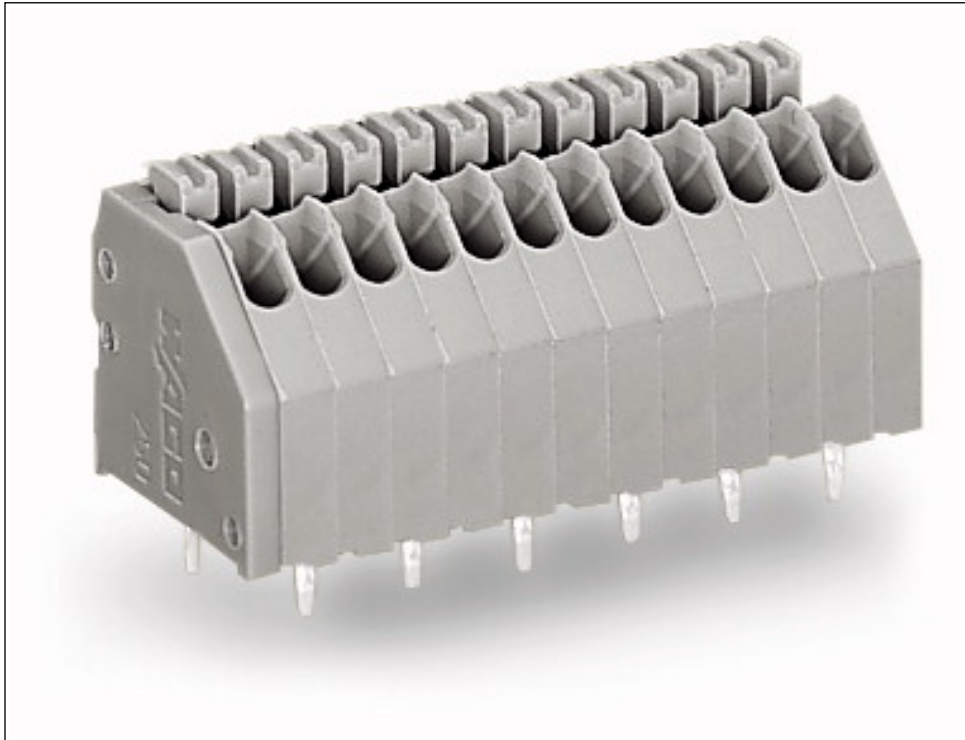
Miscellaneous

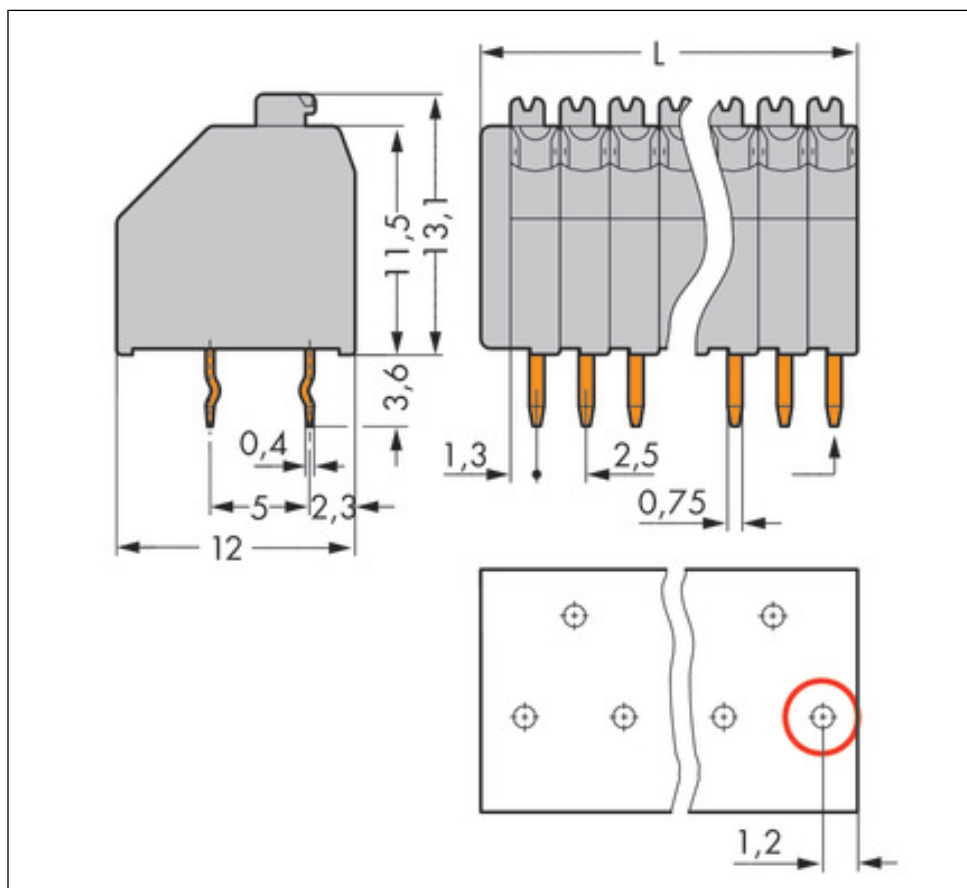
No. of poles	4
Pin spacing	2.5 mm (0.098 in)
Total number of connection points	4

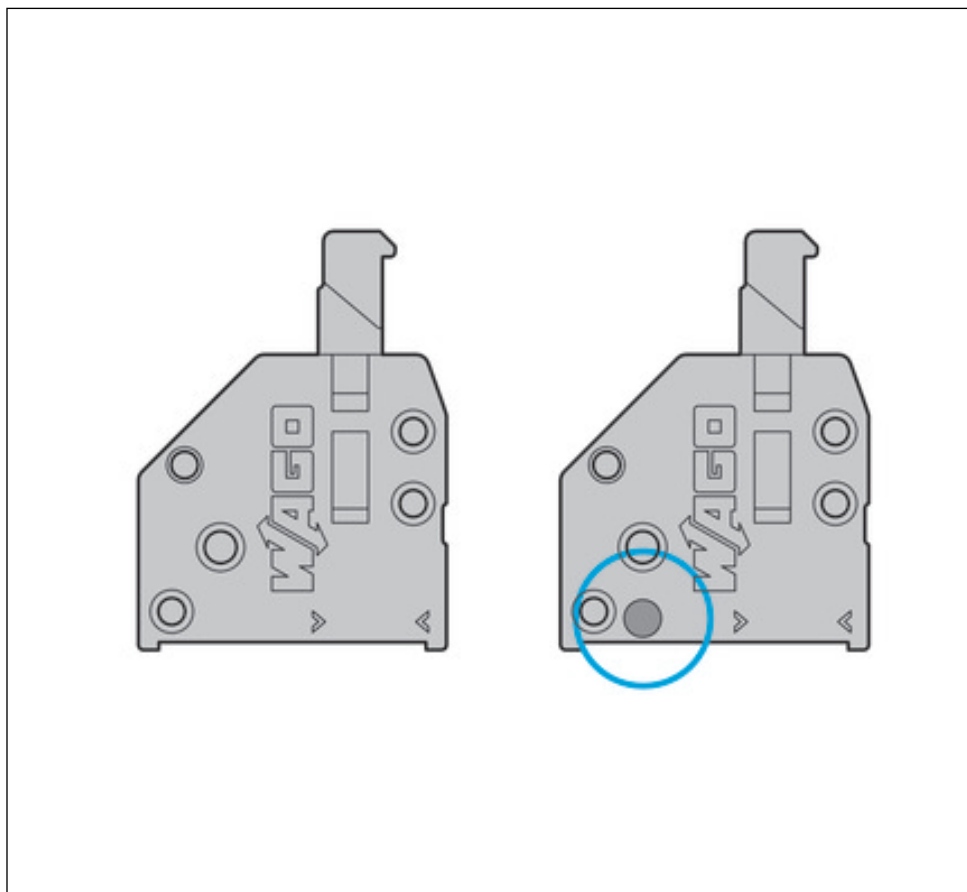
Technical data	
Total number of potentials	4
Color	gray
Ratings per	IEC/EN 60664-1
Rated voltage (III / 3) [V]	160 [V]
Rated impulse voltage (III / 3) [kV]	2.5 [kV]
Rated voltage (III/2) [V]	160 [V]
Rated impulse voltage (III / 2) [kV]	2.5 [kV]
Rated voltage (II / 2) [V]	320 [V]
Rated impulse voltage (II / 2) [kV]	2.5 [kV]
Rated current [A]	4 [A]
Number of connection objects	1
Number of levels	1
Connection technology	Push-in CAGE CLAMP®
Number of connection points connector	1
Actuation type	Operating lever
Solid conductors, tool-operated termination	0.14 ... 0.5 mm ² / 24 ... 20 AWG
Fine-stranded conductors, tool-operated termination	0.2 ... 0.5 mm ² / 24 ... 20 AWG
Strip length	8.5 ... 9.5 mm / 0.33 ... 0.37 inch
Conductor entry angle to the PCB [°]	45 [°]
Conductor sizes solid min. (1) [mm]	0.4 [mm]
Conductor sizes solid max. (1) [mm]	0.8 [mm]
Cross section from (1) [AWG]	24 [AWG]
Cross section from (2) [mm ²]	0.2 [mm ²]
Cross section up to (2) [mm ²]	0.5 [mm ²]
Cross section from (2) [AWG]	26 [AWG]
Cross section up to (2) [AWG]	20 [AWG]
Solder pin arrangement	staggered
Solder pin length [mm]	3.6 [mm]
Drilled hole diameter (tolerance) [mm]	1.1(+ 0.1) [mm]
Drilled hole diameter [mm] [mm]	1.1 [mm]
Tolerance of drilled hole diameter plus [mm] [mm]	+0.1 [mm]
Material group	I
Insulating material	Polyamide 66 (PA 66)
Flammability class per UL94	V0

Technical data	
<i>Limit temperature range</i>	<i>-60 ... 105 C</i>
<i>Clamping spring material</i>	<i>Copper alloy</i>
<i>Contact plating</i>	<i>tin-plated</i>
<i>Fire load [MJ]</i>	<i>0.034 [MJ]</i>
<i>Weight [g]</i>	<i>1.581 [g]</i>
<i>Width</i>	<i>11.5 mm / 0.453 in.</i>
<i>Height</i>	<i>16.7 mm / 0.657 in.</i>
<i>Height from the surface</i>	<i>13.1 mm / 0.516 in.</i>
<i>Depth</i>	<i>12 mm / 0.472 in.</i>

Images & drawings







Address

WAGO Kontakttechnik GmbH & Co. KG

Hansastr. 27

32423 Minden

Telefon: 0571/887-0

Fax: 0571/887-169

<http://www.wago.com>

© WAGO Kontakttechnik GmbH & Co. KG

Technische Änderungen und Irrtümer vorbehalten.