



Stackable PCB terminal block; Push-button; 1.5 mm²; Pin spacing 3.81 mm; 1-pole; Push-in CAGE CLAMP®

Item No.: 235-101



Stackable PCB terminal block; Push-button; 1.5 mm²; Pin spacing 3.81 mm; 1-pole; Push-in CAGE CLAMP®

Marking

RoHS ✓
Compliant

Business data

Supplier	WAGO
Item no.	235-101
GTIN / EAN	4044918828109
Content	1
Order amount	100
Customer item number	

Notes

Item description: Modular terminal blocks with push-buttons for custom terminal strip assemblies Simple, push-in terminations of solid and ferruled conductors Convenient termination/removal of fine-stranded conductors via push-buttons

Technical data

Miscellaneous

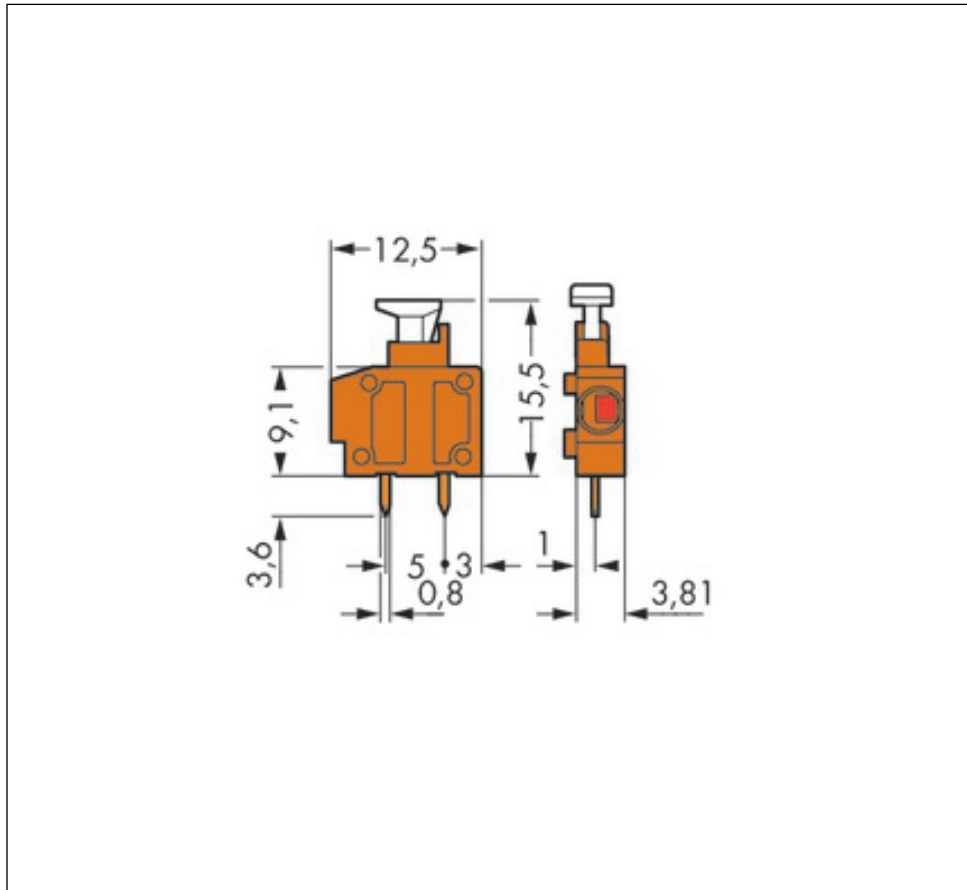
No. of poles	1
Pin spacing	3.81 mm (0.15 in)
Total number of connection points	1

Technical data	
Total number of potentials	1
Color	orange
Ratings per	IEC/EN 60664-1
Rated voltage (III / 3) [V]	200 [V]
Rated impulse voltage (III / 3) [kV]	4 [kV]
Rated voltage (III/2) [V]	320 [V]
Rated impulse voltage (III / 2) [kV]	4 [kV]
Rated voltage (II / 2) [V]	500 [V]
Rated impulse voltage (II / 2) [kV]	4 [kV]
Rated current [A]	17.5 [A]
Number of connection objects	1
Number of levels	1
Connection technology	PUSH WIRE®
Number of connection points connector	1
Actuation type	Operating lever
Solid conductors, tool-operated termination	0.5 ... 1.5 mm ² / 20 ... 16 AWG
Fine-stranded conductors, tool-operated termination	0.75 ... 1.5 mm ² / 20 ... 16 AWG
Fine-stranded conductors with insulated ferrule	0.25 ... 1 mm ² / ...
Fine-stranded conductors with uninsulated ferrule	0.25 ... 1 mm ² / ...
Strip length	9 ... 10 mm / 0.35 ... 0.39 inch
Conductor entry angle to the PCB [°]	0 [°]
Cross section up to (1) [mm ²]	1.5 [mm ²]
Cross section from (1) [AWG]	20 [AWG]
Cross section from (2) [mm ²]	0.75 [mm ²]
Cross section up to (2) [mm ²]	1.5 [mm ²]
Solder pin arrangement	in line
Solder pin length [mm]	3.6 [mm]
Drilled hole diameter (tolerance) [mm]	1(+ 0.1) [mm]
Drilled hole diameter [mm] [mm]	1 [mm]
Tolerance of drilled hole diameter plus [mm] [mm]	+0.1 [mm]
Material group	I
Insulating material	Polyamide 66 (PA 66)
Flammability class per UL94	V0
Limit temperature range	-60 ... 105 C

Technical data	
<i>Clamping spring material</i>	<i>Chrome-nickel spring steel (CrNi)</i>
<i>Contact material</i>	<i>Electrolytic copper (Ecu)</i>
<i>Contact plating</i>	<i>tin-plated</i>
<i>Fire load [MJ]</i>	<i>0.01 [MJ]</i>
<i>Weight [g]</i>	<i>0.578 [g]</i>
<i>Width</i>	<i>5.3 mm / 0.209 in.</i>
<i>Height</i>	<i>19.1 mm / 0.752 in.</i>
<i>Height from the surface</i>	<i>15.5 mm / 0.61 in.</i>
<i>Depth</i>	<i>12.5 mm / 0.492 in.</i>

Images & drawings





Address

WAGO Kontakttechnik GmbH & Co. KG

Hansastr. 27

32423 Minden

Telefon: 0571/887-0

Fax: 0571/887-169

<http://www.wago.com>

© WAGO Kontakttechnik GmbH & Co. KG

Technische Änderungen und Irrtümer vorbehalten.